

# Centro-Matic® Automated Lubrication Systems

## FlowMaster® Hydraulic Pump



High-performance FlowMaster hydraulic pumps combine rotary-driven pump motors with reciprocating pump tubes and flexible control features that perform in desert heat and arctic cold. Integrated control manifold adjusts the amount of lubricant and operating pressure. The pump's output is adjustable from 7 to 45 cubic inches per minute.

### Supply Inlet

**Hydraulic Pressure, Max.:** 3000 psig 200 bar

### Operating Inlet

**Hydraulic Pressure:** 300 to 420 psig 20 to 32 bar

**Hydraulic Inlet Flow:** Up to 7 gpm 28 l/min

**Pump Ratio with Manifold:** 9:1 at low inlet pressure (300 to 350 psi/20 to 25 bar) and low inlet flow (below 2 gpm/7 lpm) pump ratio approaches 11:1 ratio at higher inlet pressure and flow

**Pump Output:** 7 - 45 in<sup>3</sup>/min

**Operating Temperature:** -20° to +150°F -10° to +65°C

**Solenoid Valve Coil:** 24 VDC

**Hydraulic Inlet Port:** SAE 4

**Tank Return Port:** SAE 6

**Pump Outlets:** 1/4" NPTF

**Max. Hydraulic Fluid Temp:** 200°F 93°C

For the complete system, when ordering 120# or 400# versions also order the following:

- |      |                 |        |
|------|-----------------|--------|
| 120# | Drum Cover      | 84616  |
|      | Follower Assy   | 85492  |
|      | Vent Valve Assy | 84990  |
| 400# | Drum Cover      | 271606 |
|      | Follower Assy   | 270982 |
|      | Vent Valve Assy | 271605 |

## Pump Only Models

Model	Capacity			Solenoid Manual Override	Adjustable Flow Control	Adjustable Pressure Control
	Lbs.	gal	L			
85480	120	18	68	No	Yes	Yes
85481	60	8	30			
85482	400	55	208			
85483	35	5	19			
85676	90	10	38	Yes	Fixed	Fixed
85678	60	8	30			

\*Heavy-duty model \*\*Low temperature model (-60°F) \*\*\*Kit consisting of pump, follower, bucket cover and hardware

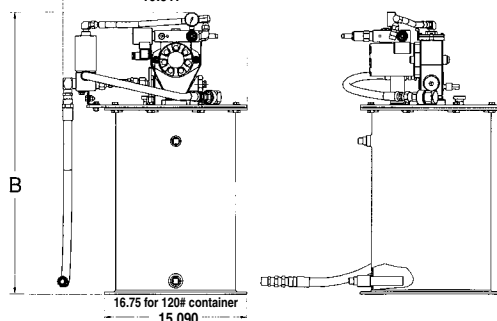
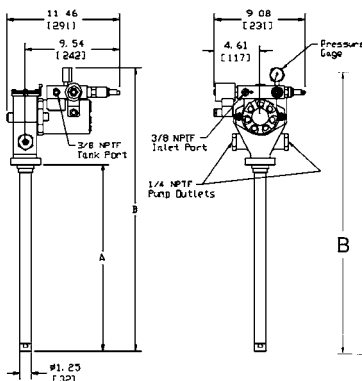


## Pump & Bucket Models with follower plate and low-level detect

Model	Lbs.	Size gal	L	Solenoid Manual Override	Adjustable Flow Control	Adjustable Pressure Control
85220 *	120	18	68	No	Yes	Yes
85487 **	60	8	30			
85585	90	10	38			
85677 **	90	10	38	Yes	Fixed	Fixed
86258	60	8	30	No	Yes	Yes

\*Includes high-level detect 19.517

\*\*Does not include follower plate or low-level detect



Container Size	Pump - in. (mm)		Pump Bucket-in. (mm)	
	A	B	A	B
35 lb.	13.69 (348)	23.50 (597)	14.59 (371)	24.40 (620)
60 lb.	19.00 (483)	28.81 (732)	19.90 (505)	29.70 (754)
90 lb.	27.50 (699)	37.31 (942)	28.40 (721)	40.13 (1,019)
120 lb.	27.50 (699)	37.31 (942)	28.40 (721)	40.13 (1,019)
400 lb.	34.00 (864)	43.81 (1,113)	34.00 (864)	44.94 (1,142)