

Jacket cooled submersible drainage pump for clear and drainage water.

BULLY C140

Application

For irrigation and drainage in clear or drainage water. Cellar drainage, pumping water from sumps, pits and rooms. Also suitable for pumping discharge from hand basins, showers and washing machines, for flood relief and water removal from water courses or reservoirs.

10 m connecting cable permits the mobile outdoor use and an immersion depth of 7 m.

Cooling jacket ensures optimum motor cooling even during sip operation. Automatic air bleed valve with additional venting screw. Detachable suction sieve for low suction of residual water.

Automatic flushing if required. In combination with the special float switch (accessory), a reduction of the switching height is possible.

DIN EN 12050-2: Conformity and design approved and controlled by LGA.

Installation: Permanent or transportable. Model with float switch control for automatic pump operation, depending on liquid level in the sump. Float switch fixation for continuous operation mode.

Pumped liquid: Clear water or drainage water containing soft solids up to 10 mm spherical clearance.

Max. liquid temperature: 35°C, short term up to 60°C.

Operation: Permanent.

Design

Fully submersible drainage pump unit consisting of:

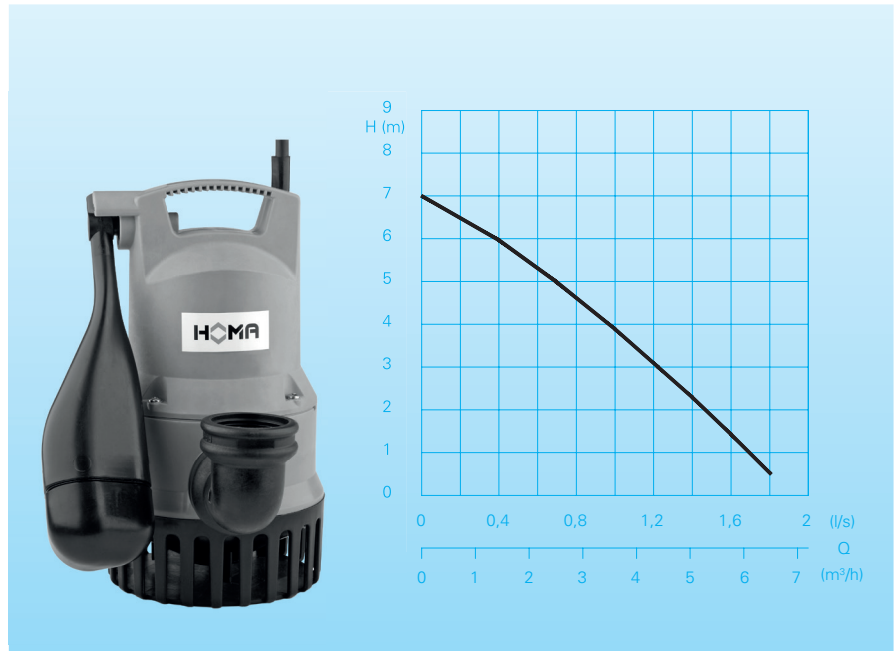
Pump: Single stage centrifugal pump with cooling jacket and horizontal discharge G 1 ¼ M.

Impeller: Open multi-channel impeller, spherical clearance 10 mm.

Motor: Fully submersible, pressure tight electric motor. Insulation class F. Motor protection IP 68. Thermal sensors imbedded in the motor winding. Rotor shaft from stainless steel with ceramic coated sealing surface, pre-lubricated bearings.

Seals: 3 Triple lip-seal combination

Performance



Application

Pump type	Motor input P ₁ (kW)	P ₂ (kW)	Voltage 50 Hz (V)	Nominal current (A)	Cable type	Weight (kg)
C140 WA	0,32	0,17	230/1Ph	1,4	H07RN-F3G1	4,1

Speed: 2850 U/min

Discharge: G 1 ¼ M

Model A: With automatic level control

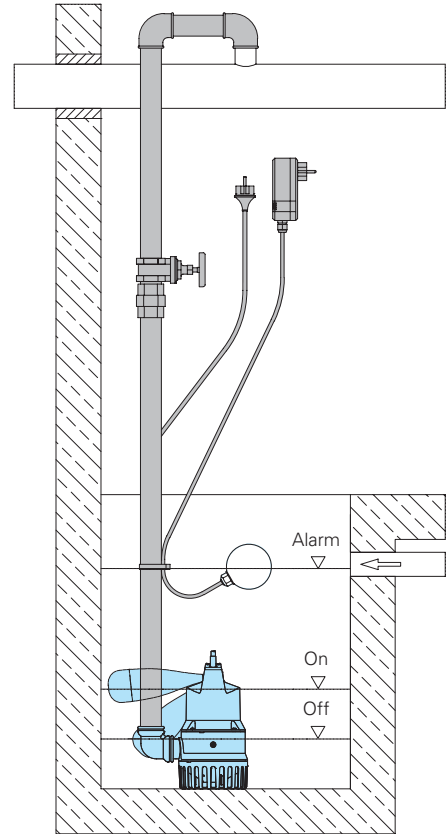
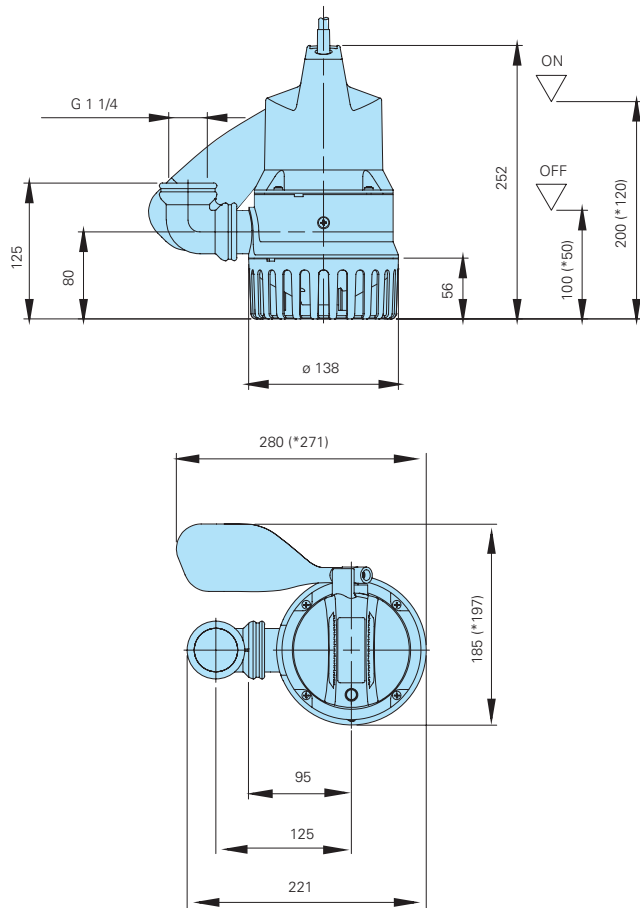
Materials

Motor housing, screws	Stainless steel
Rotor shaft	Stainless steel partially ceramic coated
Pump housing, suction sieve	Glass-fibre reinforced synthetic material (composite)
Impeller	Glass-fibre reinforced synthetic material (composite)
Seal kit	NBR

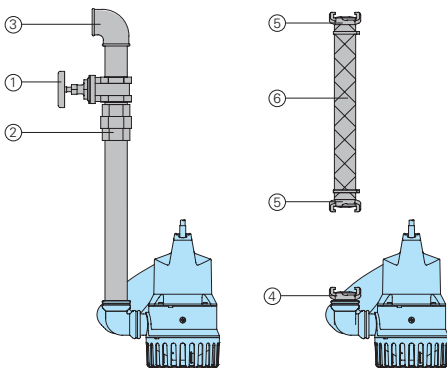
Equipment supplied

10 m of cable and plug.
Integrated non-return valve.
Elbow pipe with sealing rings.
Locking clip for float switch.

Dimensions and installations (all dimensions in mm)



Accessories



Part Description	Dimension	Part. No.
① Bronze gate valve	BSP 1 1/4" F	2216012
② Galvanized pipe union	BSP 1 1/4" M/F	2114304
③ 90° galvanized elbow	BSP 1 1/4" F	2113604
	BSP 1 1/4" F/M	2111405
T-piece for twin pump arrangement	BSP 1 1/4" F	2114301
○ Bronze non-return valve (if integrated non-return valve is not fitted)	BSP 1 1/4" F	2211213
○ Galvanized double nipple	BSP 1 1/4" M	2009011
④ Brass fixed coupling	BSP 1 1/4" M	2005413
⑤ Brass hose coupling	BSP 1"	2003313
	BSP 1 1/4"	2003413
⑥ PVC hose, per m	1" Ø 25 mm	2621000
	1 1/4" Ø 30 mm	2621200
Reinforced hose, per m	1" Ø 25 mm	2632025
	1 1/4" Ø 32 mm	2632030
Hose band	3/4" - 1"	2302330
	1 1/4"	2303252
Special float switch to reduce switching height (On approx. 120 mm Off approx. 50 mm)		7300693

Part Description	Dimension	Part. No.
○ HOMA 2 poles earth leakage circuit breaker Fi 16/0,03 A		1561160
○ Alarm device AL 3 Mains operated with connector for battery 9V (see below) for mains independent operation with integrated buzzer. Mains connection 230-240 V/ 1 Ph		1586140
Battery for mains-independent operation	9 V	1952215
Float switch MB, mercury free, on or off, with integrated counter weight. Cable length	6 m	1465706
	10 m	1465710
○ Control panel for single or twin pump station for automatic operation		On request
Accessories-Kit: Bully Check valve Stationary		8609032



HOMA Pumpenfabrik GmbH
 P.O.Box 22 63, D-53814 Neunk.-Seelscheid
 Tel. +49 (0) 22 47/702-0, Fax +49 (0) 22 47/702-44
 e-mail: info@homa-pumpen.de
 www.homapumps.com