



High impact tank cleaning machine

»IntenseClean«

Series 5TM

Series 5TM

The IntenseClean is used in many applications, amongst others in the petrochemical industry. It is noted for its robust and proven construction, effective solid jets and gear-controlled rotation.



Max. tank diameter [m]

0 | 3 | 6 | 9 | 12 | 15 | 18 | 21 | 24 | 27



Materials
316L SS, 304 SS, 302 SS,
PTFE, PEEK



Max. temperature
95 °C



Recommended operating pressure
5 bar



Installation
Operation in every direction is possible



Filtration
Line strainer with a mesh size of 0.2 mm/80 Mesh



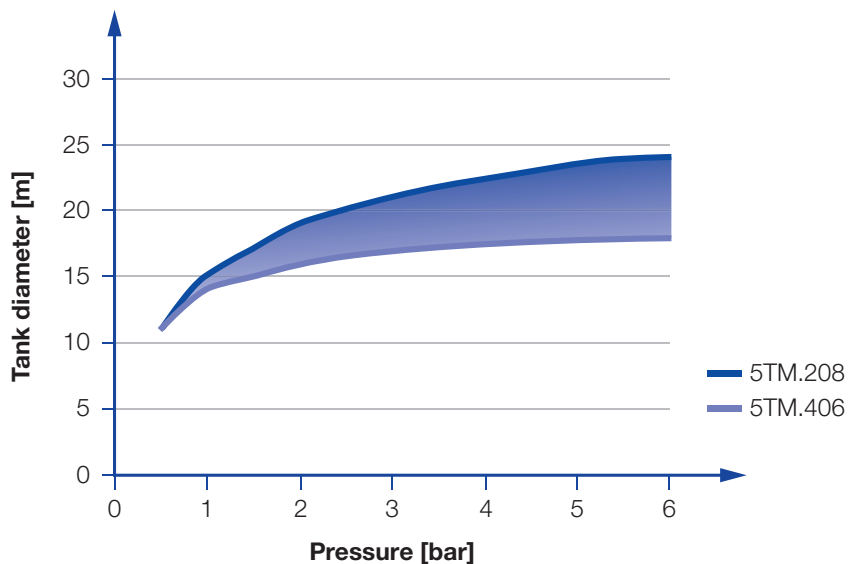
Bearing
Ball bearing



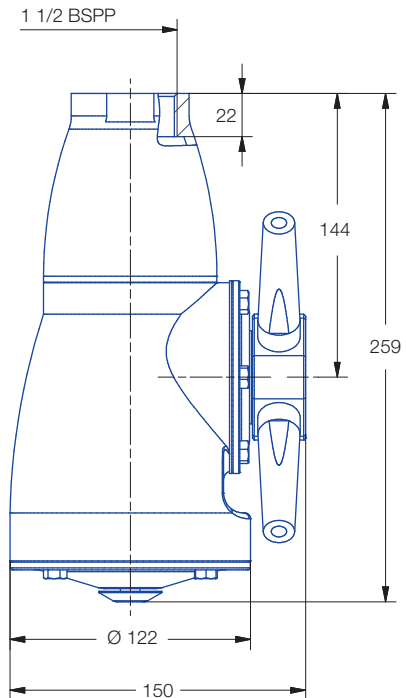
Weight
7.5 kg



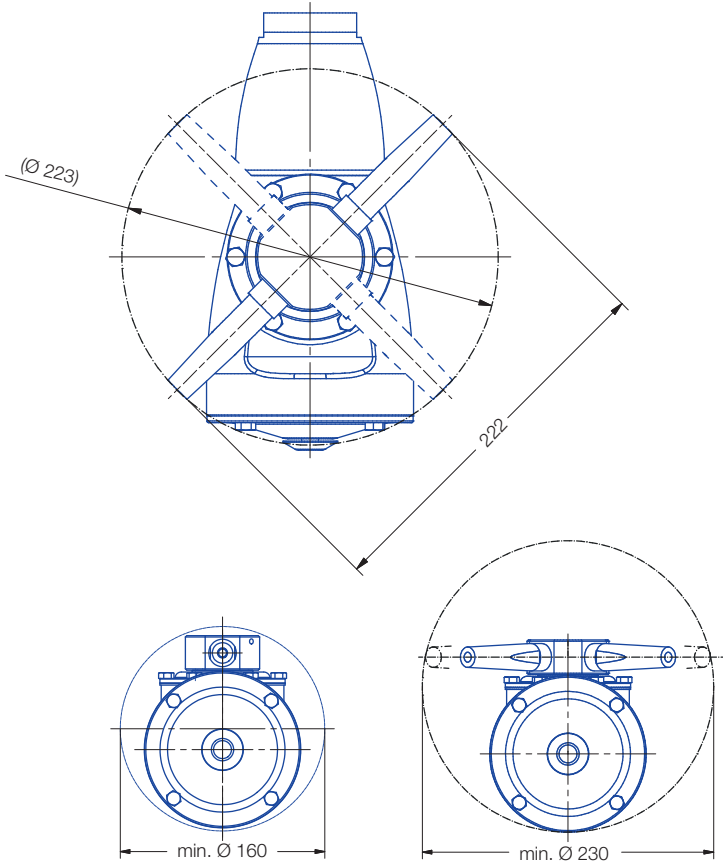
Rotation monitoring sensor
Sensor compatible,
Info: see page 74



Overview of the tank diameter, depending upon the pressure of series 5TM





Female thread



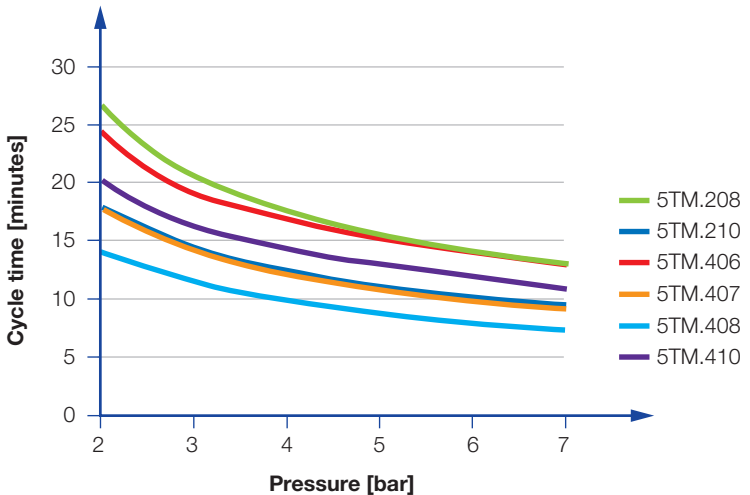
5TM.2XX.1Y.AS (2 nozzles)

5TM.4XX.1Y.AS (4 nozzles)

Spray angle 	Ordering no.	E Ø [mm]	Number, Ø Nozzles [mm]	V̇ [l/min]				Max. tank diameter [m]
				p [bar] (p _{max} = 7 bar)				
				2	3	5	at 40 psi [US gal./ min]	
	5TM.208.1Y.AS	8	2 x 8.0	125	153	198	39	24.0
	5TM.210.1Y.AS	10	2 x 10.0	160	196	253	50	24.0
	5TM.406.1Y.AS	6	4 x 6.0	140	171	221	43	18.0
	5TM.407.1Y.AS	7	4 x 7.0	170	208	269	53	20.0
	5TM.408.1Y.AS	8	4 x 8.0	200	245	316	62	22.0
	5TM.410.1Y.AS	10	4 x 10.0	260	318	411	81	23.0

E = narrowest free cross-section

The maximum tank diameter shown above applies for the recommended operating pressure and is indicative only. The cleaning result is also affected by the type of soiling.



Cycle time depending on pressure of series 5TM