



# Rotating cleaning nozzles »HygienicWhirly« Series 594/595

## Series 594/595

The HygienicWhirly with its highly effective flat jets is particularly suited for high hygiene requirements and for the application of foam. It is available in an EHEDG-version and can be used to clean tanks and equipment. Operation at low pressure with good cleaning effect is also possible.



	<b>Max. tank diameter [m]</b>	0	1	2	3	4	5	6	7	8
--	-------------------------------	---	---	---	---	---	---	---	---	---

**Materials**  
316L SS, PEEK,  
EHEDG-version:  
O-ring made  
of EPDM

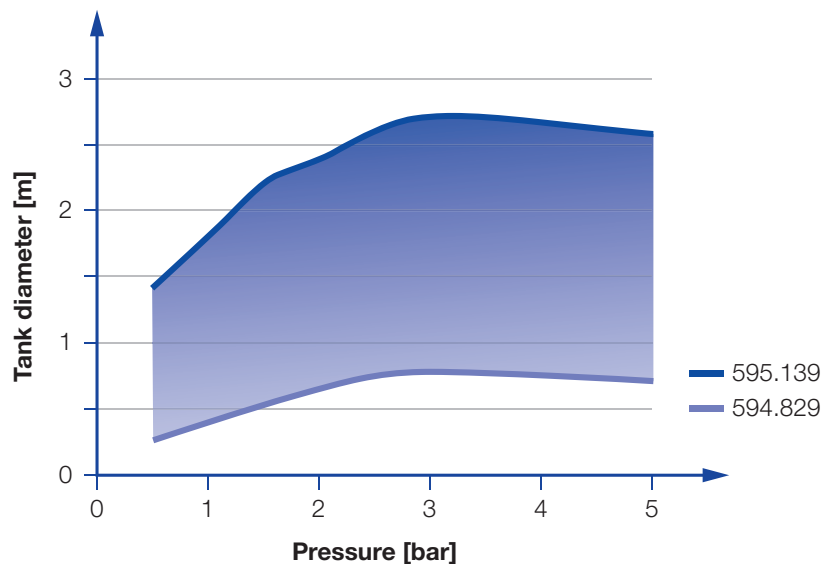
**Max. temperature**  
100 °C,  
short-term  
up to 140 °C

**Recommended  
operating pressure**  
3 bar

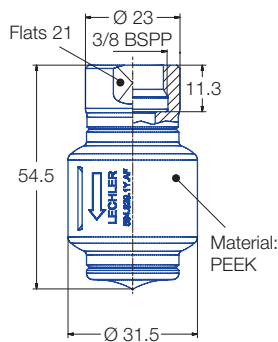
**Installation**  
Operation in every  
direction is possible

**Filtration**  
Line strainer with  
a mesh size of  
0.3 mm/50 Mesh

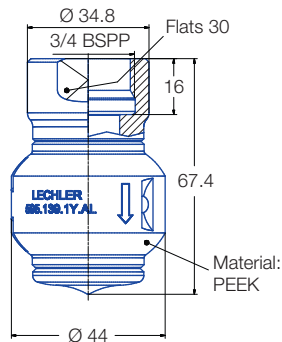
**Bearing**  
Slide bearing  
made of PEEK



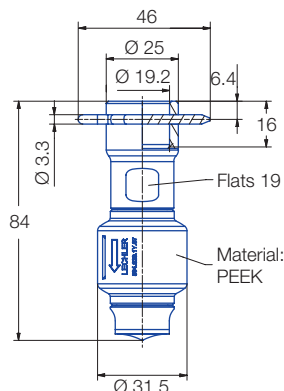
Overview of the tank diameter, depending upon the pressure of series 594/595



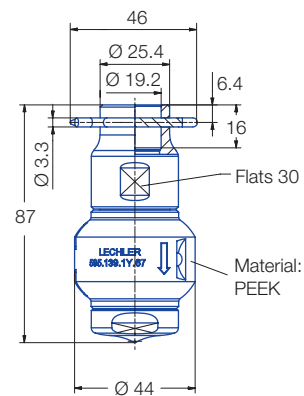
**Standard version  
Female tread  
59X.XX9.1Y.AF**



**Standard version  
Female tread  
595.139.1Y.AL**



**EHEDG-version  
Dimensions slip-on connection  
according to ASME-BPE (OD-tube)  
59X.XX9.1Y.67**



**EHEDG-version  
Dimensions slip-on connection  
according to ASME-BPE (OD-tube)  
595.139.1Y.67**

Spray angle	Ordering no.				E Ø [mm]	V̇ [l/min]					Max. tank diameter [m]
	Type	Connection				p [bar] (p <sub>max</sub> = 5 bar)					
		3/8 BSPP female	3/4 BSPP female	3/4" Slip-on EHEDG version		0.5	1	2	3	at 40 psi [US gal./min]	
360°	594.829.1Y	AF	-	67	1.7	6	8	11	14	3	0.8
	594.879.1Y	AF	-	67	2.5	8	11	15	18	5	1.2
	595.009.1Y	AF	-	67	4.0	16	22	32	39	10	1.5
	595.049.1Y	AF	-	67	4.2	20	28	40	49	12	2.0
	595.139.1Y	-	AL	67	5.0	34	47	67	82	21	2.7

E = narrowest free cross-section · NPT on request

The maximum tank diameter shown above applies for the recommended operating pressure and is indicative only. The cleaning result is also affected by the type of soiling.

### Information on operation

- Operation with compressed air only for short-term usage. Operation above the recommended operating pressure has negative effects on the cleaning result and wear.

### Slip-on information

- R-clip made of 316L SS is included (Ordering no.: 095.022.1Y.50.94.E).
- Depending on diameter of the adapter the flow rate can increase due to leakage between connecting pipe and rotating cleaning nozzle.

<b>Example of ordering:</b>	<b>Type</b>	<b>+</b>	<b>Connection</b>	<b>=</b>	<b>Ordering no.</b>
	594.829.1Y	+	AF	=	594.829.1Y.AF