

# High impact tank cleaning machine

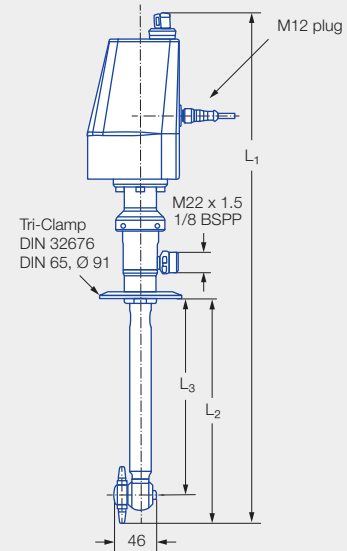
## PressureClean

### Series 5TP



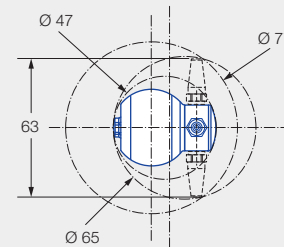
#### Features:

- Intensive cleaning with little water and high pressure
- Ideal for small tanks with the most persistent soiling
- Driven by an efficient 24 V motor
- "IP 65" certified motor housing
- Scope of delivery:
  - PressureClean
  - 5 m cable with matching plug and open cable end
  - Not included: power supply unit for power supply with 24 VDC/1.1 A



Series 5TP

Type	Dimensions [mm]		
	L <sub>1</sub>	L <sub>2</sub>	L <sub>3</sub>
5TP.xx9.1Y.01	566	250	219
5TP.xx9.1Y.02	816	500	469
5TP.xx9.1Y.03	1,310	889	858



Insertion diameter and interference circle diameter

**Cleaning efficiency class**  
5

**Max. temperature**  
90 °C

**Installation**  
Operation in every direction is possible

**Bearing**  
Ball bearing

**Material**  
Process side:  
Stainless steel 316L,  
PTFE with carbon,  
PEEK, Si<sub>3</sub>N<sub>4</sub>, EPDM

**Recommended operating pressure**  
100 bar

**Filtration**  
Line strainer with a mesh size of 0.1 mm/170 Mesh

**Max. tank diameter**  
The specified maximum tank diameter applies to the recommended operating pressure and is indicative only. The type of soiling is also decisive for the cleaning result.

Type	Max. tank diameter for most persistent soiling [m]	Max. tank diameter for medium soiling [m]
5TP.469.1Y	1.0	2.5
5TP.589.1Y	1.2	3.0
5TP.659.1Y	1.4	3.5

Function video

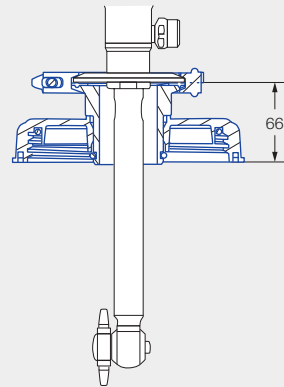
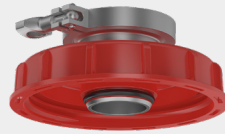
[www.lechler.com/de-en/medialibrary/videos-general-industry](http://www.lechler.com/de-en/medialibrary/videos-general-industry)

Or scan the QR code.

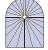


### Adapter for IBC containers:

- Suitable for all types of PressureClean
- Fits into a G 2 female thread
- Scope of delivery:
  - Adapter with Tri-Clamp as interface for PressureClean
  - IBC cover (DN 150, thread S165 x 7) made of HDPE
  - Stainless steel joint clamp with EPDM seal



Ordering no.: 05T.P30.00.00.00

Spray angle	Ordering no.				V̇ water [l/min]		
	Type	Lance length			p [bar] (p <sub>max</sub> = 200 bar)		
		250 [mm]	500 [mm]	1,000 [mm] with adjustable flange	50	100	150
360° 	5TP.469.1Y	01	02	03	7	10	12
	5TP.589.1Y	01	02	03	14	20	24
	5TP.659.1Y	01	02	03	21	30	37

### Information on operation

- The electric motor may only be switched on when liquid is flowing through the nozzle.

Ordering    Type    +    Lance length    =    Ordering no.  
 example:    5TP.469.1Y    +    01    =    5TP.469.1Y.01