

# Rotating cleaning nozzle MaxiSpinner 2 Series 5M4



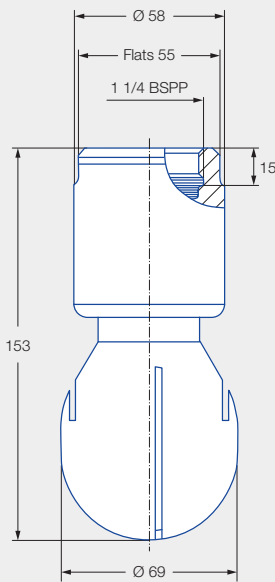
## Features:

- Hygienic design
- Suitable for high temperatures
- Made entirely of stainless steel

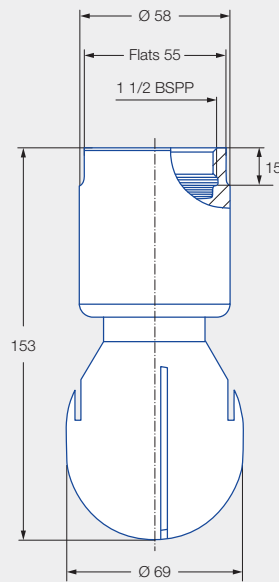


**ATEX version  
available on  
request**

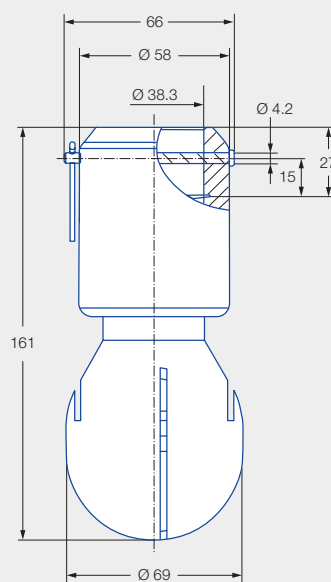
Series 5M4



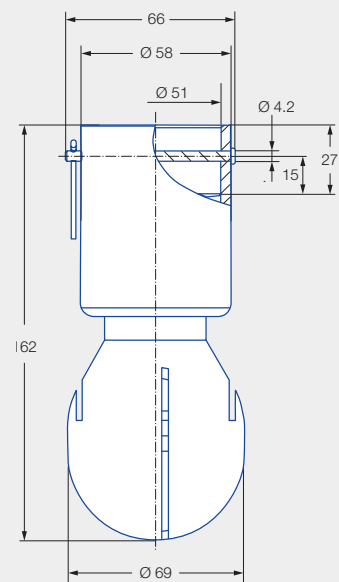
Female thread



Female thread



Dimensions of the  
1 1/2" slip-on connection according  
to ASME-BE (OD-tube)



Dimensions of the  
2" slip-on connection according  
to ASME-BE (OD-tube)

Max. tank diameter [m]	0	1	2	3	4	5	6	7	8	9
------------------------	---	---	---	---	---	---	---	---	---	---

**Cleaning efficiency class**  
2

**Max. temperature**  
250 °C

**Installation**  
Operating in every direction possible

**Bearing**  
Double ball bearing made of stainless steel 316L

**Material**  
Stainless steel 316L


**Recommended operating pressure**  
2 bar

**Filtration**  
Line strainer with a mesh size of 0,1mm/170 mesh

**Adapter**  
1 1/4 BSPP and 1 1/2 BSPP are compatible with HygienicFit

**Function video**  
[www.lechler.com/de-en/medialibrary](http://www.lechler.com/de-en/medialibrary)  
Or scan the QR Code.



Spray angle	Ordering no.					Narrowest free cross section $\varnothing$ [mm]	$\dot{V}$ water [l/min]				Max. tank diameter [m]
	Type	Connection					$p$ [bar] ( $p_{max} = 7$ bar)*				
		1 1/4 BSP	1 1/2 BSP	1 1/2" Slip-on	2"- Slip-on		1,0	<b>2,0</b>	3,0	at 40 psi [US gal/min]	
360° 	<b>5M4.279.1Y</b>	<b>AQ</b>	<b>AS</b>	<b>TF15</b>	<b>TF20</b>	1.7	107	<b>150</b>	184	46	4.0
	<b>5M4.329.1Y</b>	<b>AQ</b>	<b>AS</b>	<b>TF15</b>	<b>TF20</b>	2.0	141	<b>200</b>	245	62	4.5
	<b>5M4.369.1Y</b>	<b>AQ</b>	<b>AS</b>	<b>TF15</b>	<b>TF20</b>	2.3	177	<b>250</b>	306	78	5.0

NPT thread and weld-on versions on request.

\* Please note the maximum operating pressure of 4 bar for the 2" slip-on connection.

The max. tank diameter shown above applies for the recommended operating pressure and has to be seen as a recommendation. The cleaning result is also affected by the type of soiling

Operating with compressed air only for short-term usage. Operation above the recommended operating pressure has negative effects on the cleaning result and wear.

#### Information slip-on connection

- Bolt with head incl. pin made of stainless steel 316L included (Ordering no. 05M.431.1Y.00.00.0).
- Depending on diameter of the adapter, the flow rate increase due to leakage between connecting pipe and rotating cleaning nozzle.
- Minimum insertion diameter (with mounted bolt) is the same as for the threaded variants 69 mm.

# MaxiSpinner 2

Example    Type    +    Connection    =    Ordering no.  
 of ordering: 5M4.369.1Y + AQ    =    5M4.369.1Y.AQ