

CONNECTS ALL PIPE MATERIALS AND DIFFERENT PIPE DIAMETERS

STRAUB-STEP-FLEX

STRAUB-STEP-FLEX is used if the pipes have different external diameters.

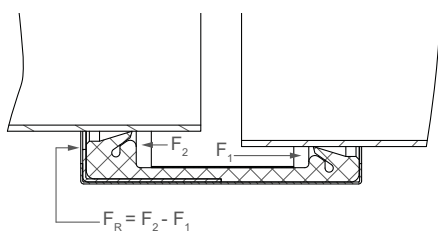
The possible diameter differences of the pipes to be connected can be 10 mm up to max. 30 mm. Larger diameter differences can be achieved using the integration of a reduction fitting piece with two couplings. Smaller diameter differences (5 - 9 mm) can be bridged on request using our STRAUB-FLEX 2 / 3.

Under pressure, STRAUB-STEP-FLEX pipe couplings, due to the diameter differences, are always pushed by internal forces in the direction of the smaller pipe diameter and must therefore be secured against slipping using appropriate measures.

Thrust rings are available on request; retainers are not necessary for non-pressurised applications.



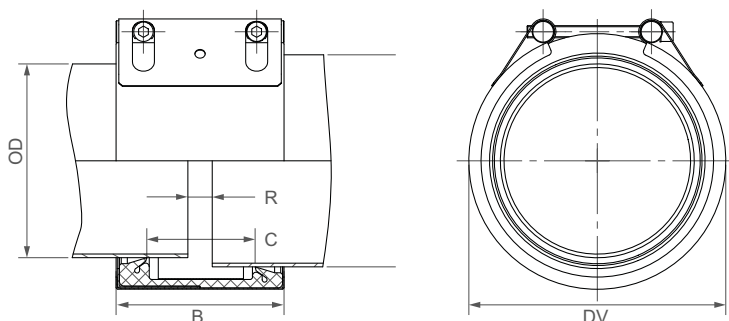
- Outside diameter: 219.1 up to 2032.0 mm
- Temperature: -20°C up to +100°C
- Sealing sleeve: EPDM
- diameter difference up to 30 mm



	OD 1 [mm]	OD 2 [mm]	min [bar]	Coupling retainer F_R at PN min [N]	max [bar]	Coupling retainer F_R at PN max [N]
STRAUB-STEP-FLEX 2	250.0	280.0	12.0	14980	24.0	29960
	323.9	353.0	9.5	14690	25.0	38860
	406.4	436.0	7.5	14680	25.0	48940
	609.6	639.0	5.0	14410	25.0	72040
	812.8	842.0	3.5	13195	22.0	82938
STRAUB-STEP-FLEX 3	1219.2	1249.0	3.5	20210	17.0	98160
	1600.0	1630.0	2.5	19020	13.5	102690
	2032.0	2062.0	2.0	19280	10.0	96410
	3048.0	3078.0	3.0	43280	6.5	93770
	4064.0	4094.0	1.0	19210	5.0	96060

Components / Materials	W1	W2	W4	W5
Casing	S355MC, hot-dip galvanised	AISI 316 L or similar		AISI 316 L or similar
Bolts	AISI 4135	AISI 4135		A4 - 80
Bars	AISI 12L14, galvanised	AISI 12L14, galvanised		AISI 316 L or similar
Strip insert	AISI 316 L or similar	AISI 316 L or similar		AISI 316 L or similar

Sealing sleeve Temp.: -20°C up to +100°C
EPDM Medium: all qualities of water, waste water, air, solids and chemical products



DV ⇨ OD + 27 mm
 C ⇨ 91 mm
 R with strip insert ⇨ 35 mm
 R without strip insert ⇨ 10 mm

	W2 or W5
	W1, W2 or W5
	W1 or W5
	only in W1 available

OD 1 [mm]	OD 2 min (OD 1 + 10 mm) [mm]	OD 2 max (OD 1 + 30 mm) [mm]	PN					
			2.5	6	10	16	20	25
219.1	230	250						
250.0	260	280						
267.0	277	297						
273.0	283	303						
304.0	314	334						
323.9	334	354						
355.6	366	386						
406.4	416	436						
457.2	467	487						
508.0	518	538						
558.8	569	589						
609.6	620	640						
711.2	721	741						
762.0	772	792						
812.8	823	843						

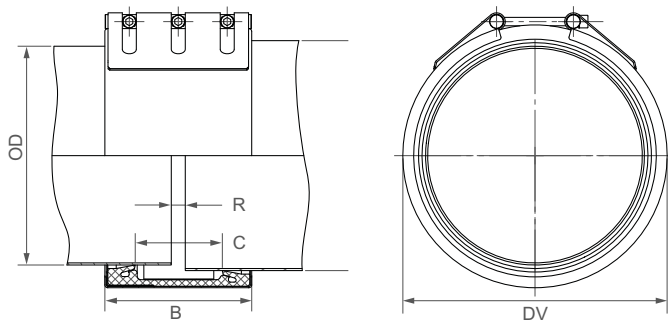
CONTINUOUSLY VARIABLE INTERMEDIATE SIZES FROM 219.1 TO 812.8 mm ARE AVAILABLE

Remarks:

- Follow fitting instructions
- PN = working pressure considering the application loads
 Test pressure = PN x 1.5 (for example industry, water supply etc.)
- Stainless steel strip insert included
- Additional sealing sleeves, pressure and temperature ranges on request

Components / Materials	W1	W2	W4	W5
Casing	S355MC, hot-dip galvanised	AISI 316 L or similar		AISI 316 L or similar
Bolts	AISI 4135	AISI 4135		A4 - 80
Bars	AISI 12L14, galvanised	AISI 12L14, galvanised		AISI 316 L or similar
Strip insert	AISI 316 L or similar	AISI 316 L or similar		AISI 316 L or similar

Sealing sleeve Temp.: -20°C up to +100°C
EPDM Medium: all qualities of water, waste water, air, solids and chemical products



DV ⇨ OD + 38 mm
 C ⇨ 127 mm
 R with strip insert ⇨ 60 mm
 R without strip insert ⇨ 15 mm

	W2 or W5
	W1, W2 or W5
	W1 or W5
	only in W1 available



OD 1 [mm]	OD 2 min (OD 1 + 10 mm) [mm]	OD 2 max (OD 1 + 30 mm) [mm]	PN					
			2.5	6	10	16	20	25
914.4	924	934						
1016.0	1026	1046						
1117.6	1127	1147						
1219.2	1229	1249						
1320.8	1331	1351						
1422.4	1432	1452						
1524.0	1534	1554						
1600.0	1610	1630						
1625.4	1635	1655						
1727.2	1737	1757						
1828.8	1839	1859						
1930.4	1940	1960						
2032.0	2042	2062						

CONTINUOUSLY VARIABLE INTERMEDIATE SIZES FROM 914.4 TO 2032.0 mm ARE AVAILABLE

Remarks:

- Follow fitting instructions
- PN = working pressure considering the application loads
 Test pressure = PN x 1.5 (for example industry, water supply etc.)
- Stainless steel strip insert included
- Additional sealing sleeves, pressure and temperature ranges on request