

# THE AXIAL FLEXIBILITY SERIES

## STRAUB-FLEX

All pipe materials can be reliably connected with STRAUB-FLEX couplings.

STRAUB-FLEX pipe couplings enable pipe connections for practically all conceivable pipe diameters, for the same or different types of pipe materials, various media and temperatures as well as for a wide range of the operating pressure values.

pipes must be secured axially using appropriate measures on-site such as tie rods, fixed and sliding points, concrete abutments etc.

The sealing sleeve separates the coupling casing from the pipe surface so that sound, vibrations and oscillations are optimally damped.

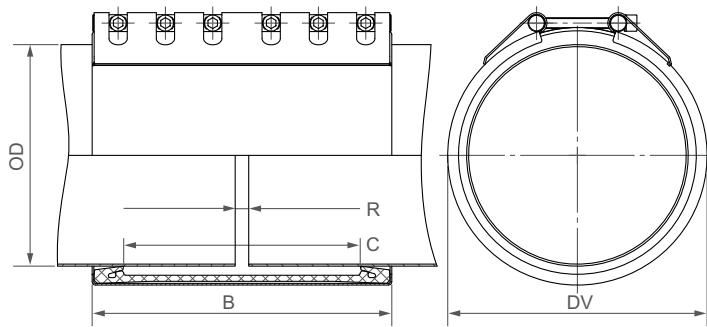
As STRAUB-FLEX pipe couplings cannot axially absorb any forces, the



- Outside diameter: 48.3 up to 4064.0 mm
- Temperature: -20°C up to +180°C (STRAUB-FLEX 3.5 + 4 up to +100°C)
- Sealing sleeve: EPDM, NBR, FPM/FKM



Components / Materials	W1	W2	W4	W5
Casing	S355MC, hot-dip galvanised			S32101 (LDX)
Bolts	AISI 4135			A4 - 80
Bars	AISI 12L14, galvanised			AISI 316 L or similar
Strip insert	AISI 301 / HDPE			AISI 316 L or similar / HDPE
<b>Sealing sleeve EPDM</b>	Temp.: -20°C up to +100°C Medium: all qualities of water, waste water, air, solids and chemical products			
<b>Sealing sleeve NBR</b>	Temp.: -20°C up to +80°C Medium: water, gas, oil, fuel and other hydrocarbons			



B ⇨ 443 up to 444 mm  
 DV ⇨ OD + 48 mm  
 C ⇨ 350 mm  
 R with strip insert ⇨ 200 mm  
 R without strip insert ⇨ 20 mm

	W1 or W5
	only in W5 available



OD [mm]	Clamping range [mm]	PN					
		2.5	6	10	16	20	25
323.9	320 - 327						
355.6	352 - 359						
406.4	403 - 409						
457.2	454 - 460						
508.0	505 - 512						
558.8	555 - 562						
609.6	606 - 613						
655.0	652 - 658						
711.2	707 - 715						
762.0	758 - 766						
812.8	809 - 817						

**CONTINUOUSLY VARIABLE INTERMEDIATE SIZES FROM 323.9 TO 812.8 mm ARE AVAILABLE**

**Remarks:**

- Follow fitting instructions
- PN = working pressure considering the application loads  
 Test pressure = PN x 1.5 (for example industry, water supply etc.)  
 Burst pressure = approx. PN x 2
- Strip inserts included
- Additional sealing sleeves, pressure and temperature ranges on request

⇨ Bigger diameters are available as STRAUB-OPEN-FLEX, see page 60 to 65