



Slide units for pneumatic cylinder suitable for:

| | | | | |
|--|--|---|---|--|
| ISO 6431 - 6432 cylinders M series Ø 16 ÷ 25 K/KD series Ø 32 ÷ 100 | Slide units for rodless cylinders S1 series Ø 25 ÷ 50 | Short-stroke cylinders W series Ø 25 ÷ 100 | Compact cylinders STRONG RS series Ø 32 ÷ 63 | 2-stage telescopic cylinders RT2 series Ø 32 ÷ 63 |
|--|--|---|---|--|

CONSTRUCTION CHARACTERISTICS

Enlarged chromium-plated hollow guides provide robustness and reliability

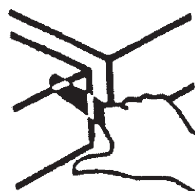
**An economical solution thanks to the components
used which ensure long life (7000 – 10000 km)**

Special metallic self-lubricating bearings, minimizing noise and abrasion

Customized slide units available upon request

**High resistance to peak loads.
Scraper bearings standard supplied for J10-.../J31-... series**

**All models available with safety distance 25 mm
for accident prevention according to EC rules EN 349**



TECHNICAL CHARACTERISTICS

Working pressure:

| | | | | |
|------------|------------|------------|------------|------------|
| 2 ÷ 10 bar | 3 ÷ 10 bar | 2 ÷ 10 bar | 2 ÷ 10 bar | 2 ÷ 10 bar |
|------------|------------|------------|------------|------------|

Ambient temperature:

- 20°C ÷ 80°C

SIZES

| | | | | |
|----------|---------|----------|---------|---------|
| 16 ÷ 100 | 40 ÷ 80 | 25 ÷ 100 | 32 ÷ 63 | 32 ÷ 63 |
|----------|---------|----------|---------|---------|

STANDARD STROKES (mm)

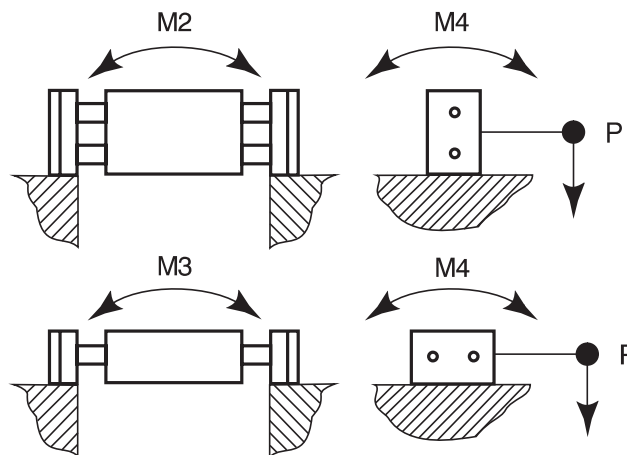
| | | | | |
|-----------|---------------------|--------|----------|------------|
| 25 ÷ 1000 | up to 800 mm max | 5 ÷ 75 | 15 ÷ 800 | 120 ÷ 1200 |
|-----------|---------------------|--------|----------|------------|

For min. and max. strokes refer to respective codification key.



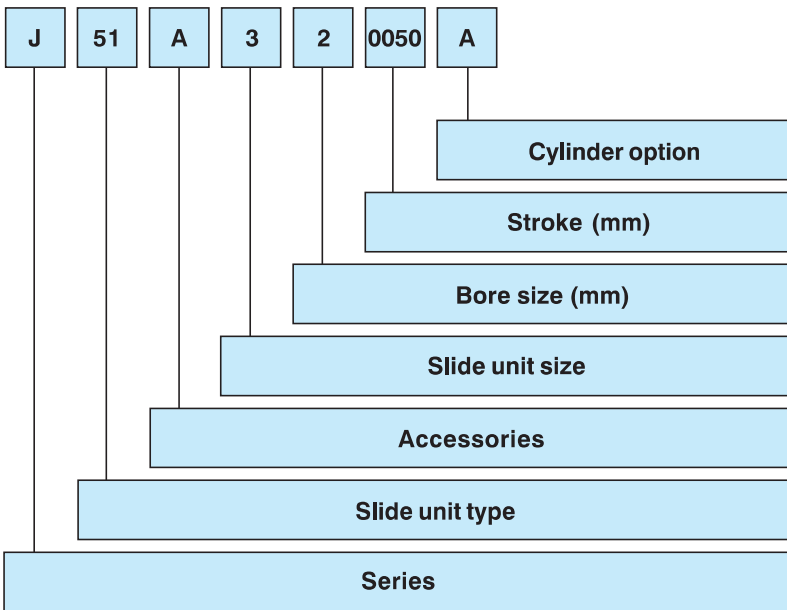
Slide units for...

| Size slide unit | ISO 6431 - 6432 cylinders | | | | | Short-stroke cylinders | | | |
|-----------------|---------------------------|----------------------|---------------------------|---------------------------|---------------------------|------------------------|----------------------|----------------------|----------------------|
| | J10 M2=M3 (Nm) | J11 M2=M3 (Nm) | J12=J12B M2=M3 (Nm) | J14=J14B M2=M3 (Nm) | J16=J16B M2=M3 (Nm) | J51 M2=M3 (Nm) | J52 M2=M3 (Nm) | J53 M2=M3 (Nm) | J54 M2=M3 (Nm) |
| 16 | 3,2 | 6,4 | 11 | 7,4 | 11 | - | - | - | - |
| 25 | 6 | 13,2 | 23,6 | 17,8 | 23,6 | 6 | 8,2 | 6 | 8,2 |
| 32 | 12,2 | 27,2 | 49 | 37,4 | 49 | 12,2 | 15 | 12,2 | 15 |
| 40 | 17,8 | 36,8 | 73,6 | 51 | 73,6 | 17,8 | 19,8 | 17,8 | 19,8 |
| 50 | 24,8 | 56 | 107,8 | 78 | 107,8 | 24,8 | 29,8 | 24,8 | 29,8 |
| 63 | 35,2 | 85,6 | 156,8 | 114 | 156,8 | 35,2 | 42,8 | 35,2 | 42,8 |
| 80 | 52 | 136 | 248 | 173,2 | 248 | 52 | 64,4 | 52 | 64,4 |
| 100 | 52 | 160 | 298 | 173,2 | 298 | 52 | 64,4 | 52 | 64,4 |

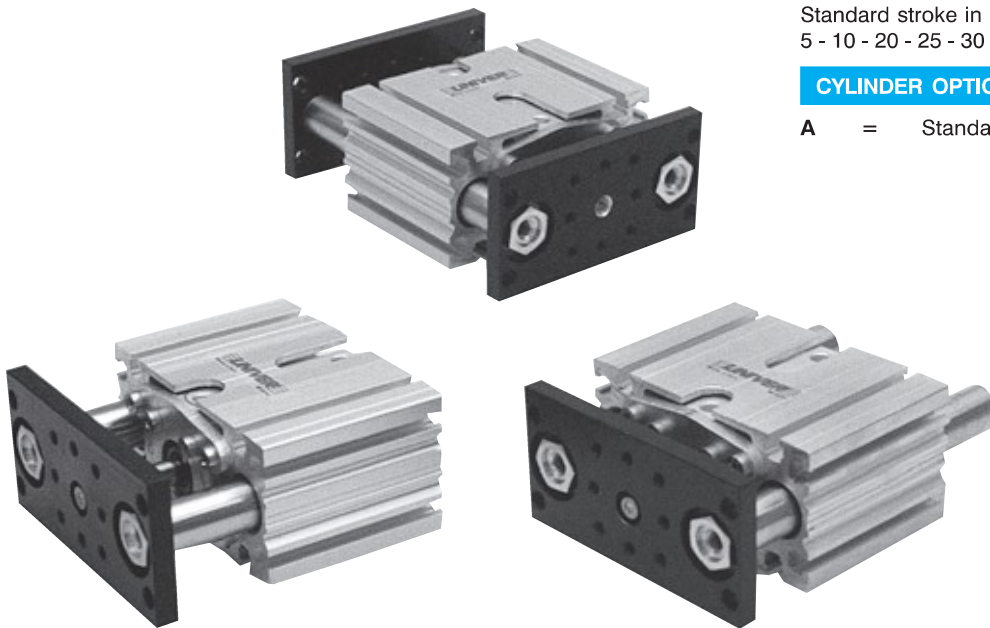


Slide units for...

| Size slide unit | ISO 6431- 6432 cylinders | | | Short-stroke cylinders | M4 (Nm) |
|-----------------|---------------------------|----------------------|----------------------|------------------------|------------|
| | J16=J16B M2/M3 (Nm) | J18 M2/M3 (Nm) | J19 M2/M3 (Nm) | J56 M2/M3 (Nm) | |
| 16 | 12,8/8,8 | 10,4/4,4 | 12,8/8,8 | - | 9,4 |
| 25 | 28/19 | 22,2/8,6 | 28/19 | 22/7,6 | 20,4 |
| 32 | 55,6/38,8 | 45,2/17 | 55,6/38,8 | 42,6/15 | 39,8 |
| 40 | 80/59,4 | 58,5/22,6 | 80/59,4 | 57,4/19,8 | 53,8 |
| 50 | 121/75,2 | 92/33,4 | 121/75,2 | 90,4/29,8 | 85,6 |
| 63 | 173,6/122,6 | 135,2/52 | 173,6/122,6 | 130/42,4 | 123,4 |
| 80 | 270,2/196 | 204,2/84 | 270,2/196 | 196,6/64,4 | 186 |
| 100 | 318,6/245,6 | 230,8/109,2 | 318,6/245,6 | 213,2/64,4 | 203,2 |



The slide units are supplied with safety distance (+ 25 mm) for accident prevention according to the European EN 349 specifications.



SERIES

J = Slide unit series

SLIDE UNIT TYPE

- 51** = Slide unit with protruding shafts (1 bearing).
- 52** = Slide unit with protruding shafts (2 bearings).
- 53** = Slide unit with fully protected cylinder (1 bearing).
- 54** = Slide unit with fully protected cylinder (2 bearings).
- 56** = Slide unit with fully protected cylinder (2 bearings + 2 plates).

ACCESSORIES

A = Scraper bearings

SLIDE UNIT SIZE

- 2** = 25 only for Ø 20 cylinder
- 3** = 32 only for Ø 25 cylinder
- 4** = 40 only for Ø 32 cylinder
- 5** = 50 only for Ø 40 cylinder
- 6** = 63 only for Ø 50 cylinder
- 7** = 80 only for Ø 63 cylinder
- 8** = 100 only for Ø 80 cylinder

CYLINDER BORE SIZE

- 1** = 20
- 2** = 25
- 3** = 32
- 4** = 40
- 5** = 50
- 6** = 63
- 7** = 80

SLIDE UNIT STROKE

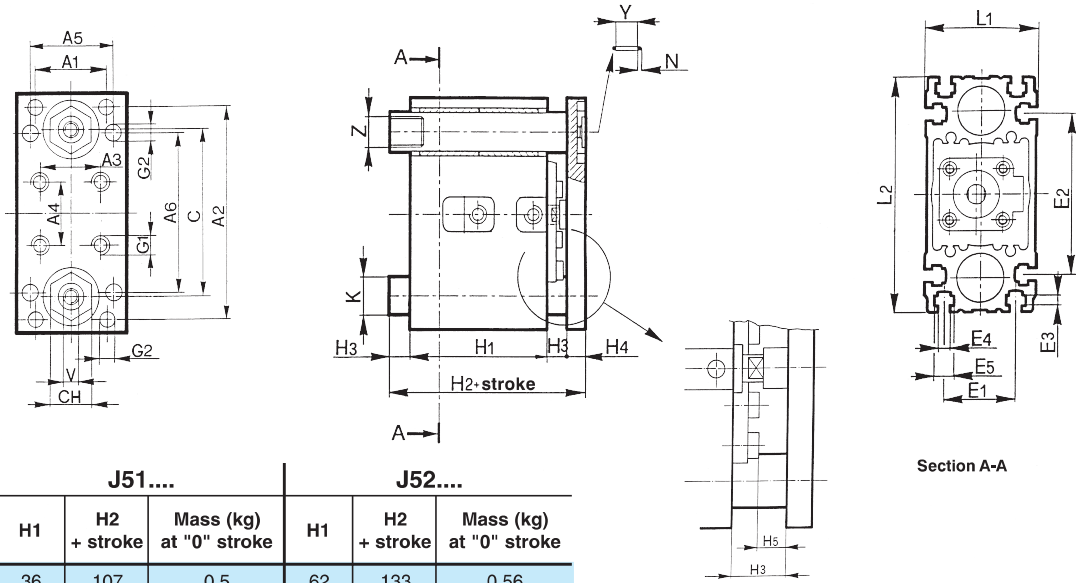
Standard stroke in mm
5 - 10 - 20 - 25 - 30 - 50 - 75

CYLINDER OPTION

A = Standard cylinder

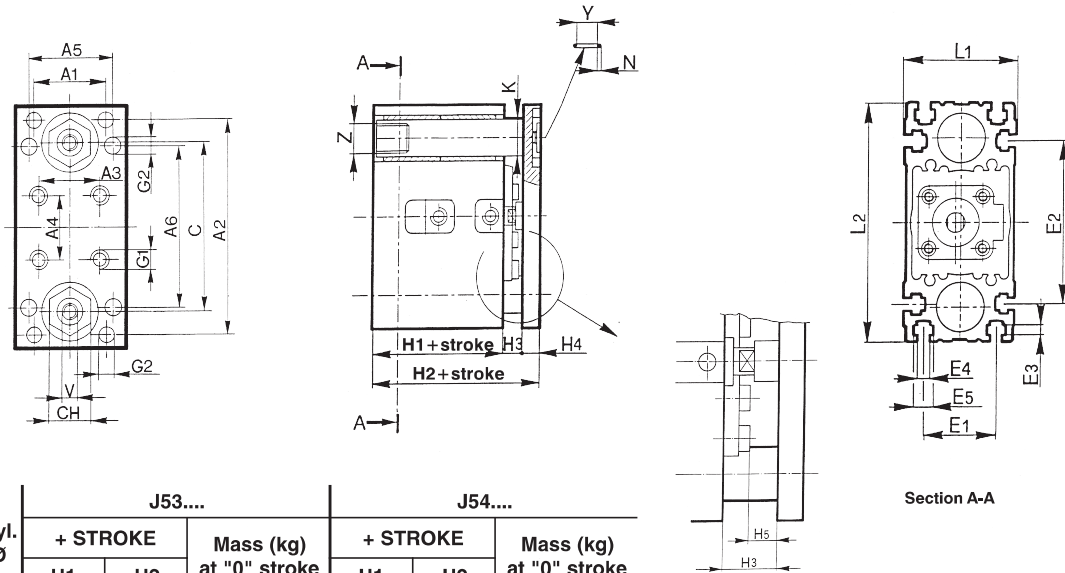
NOTE: slide units are supplied complete with a non-magnetic cylinder. Magnetic version require a DKJ Series reed switches mounting rail which is to be ordered separately (see section accessories page 6)

J51 , 1 bearing with protruding shafts
J52 , 2 bearings with protruding shafts



| Size of slide unit | Cyl. Ø | J51.... | | | J52.... | | |
|--------------------|--------|---------|-------------|-------------------------|---------|-------------|-------------------------|
| | | H1 | H2 + stroke | Mass (kg) at "0" stroke | H1 | H2 + stroke | Mass (kg) at "0" stroke |
| 25 | 20 | 36 | 107 | 0,5 | 62 | 133 | 0,56 |
| 32 | 25 | 42 | 120 | 0,875 | 74 | 152 | 0,955 |
| 40 | 32 | 45 | 125 | 1,225 | 80 | 160 | 1,34 |
| 50 | 40 | 50 | 132 | 2,17 | 90 | 172 | 2,36 |
| 63* | 50 | 55 | 139 | 3,2 | 100 | 184 | 3,46 |
| 80* | 63 | 62 | 152 | 5,04 | 114 | 204 | 6,125 |
| 100* | 80 | 62 | 152 | 5,92 | 114 | 204 | 7,040 |

J53 , 1 bearing with fully protected cylinder
J54 , 2 bearings with fully protected cylinder



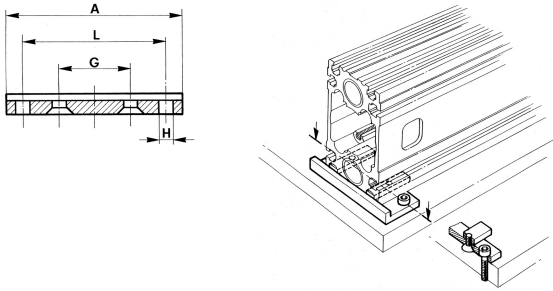
| Size of slide unit | Cyl. Ø | J53.... | | | J54.... | | |
|--------------------|--------|---------|------|-------------------------|---------|-------|-------------------------|
| | | H1 | H2 | Mass (kg) at "0" stroke | H1 | H2 | Mass (kg) at "0" stroke |
| 25 | 20 | 36 | 75,5 | 0,475 | 62 | 101,5 | 0,54 |
| 32 | 25 | 42 | 86 | 0,845 | 74 | 118 | 0,925 |
| 40 | 32 | 45 | 90 | 1,18 | 80 | 125 | 1,3 |
| 50 | 40 | 50 | 96 | 2,1 | 90 | 136 | 2,3 |
| 63* | 50 | 55 | 103 | 3,13 | 100 | 148 | 3,39 |
| 80* | 63 | 62 | 113 | 4,99 | 114 | 165 | 6,02 |
| 100* | 80 | 62 | 113 | 5,82 | 114 | 165 | 6,93 |

*For dimensions not indicated and note regarding sizes 63 - 80 - 100 refer to page 49.



Aluminium foot brackets

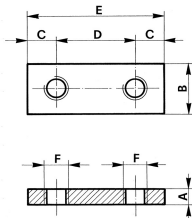
| SIZE | A | B | C | D | E | F | G | H | L | Part number |
|------|----|----|----|----|---|------|----|--------|-----|-------------|
| 16 | 52 | 30 | 10 | 26 | 4 | 9 | 20 | Ø 4,5 | 43 | JF-13016 |
| 25 | 70 | 30 | 10 | 26 | 4 | 9 | 32 | Ø 5,5 | 57 | JF-13025 |
| 32 | 85 | 35 | 10 | 30 | 5 | 10 | 38 | Ø 6,5 | 72 | JF-13032 |
| 40 | 92 | 35 | 10 | 30 | 5 | 10 | 42 | Ø 6,5 | 79 | JF-13040 |
| 50 | 11 | 40 | 15 | 35 | 5 | 12,5 | 48 | Ø 8,5 | 102 | JF-13050 |
| 63 | 13 | 45 | 15 | 40 | 5 | 15 | 56 | Ø 10,5 | 112 | JF-13063 |
| 80 | 16 | 45 | 15 | 40 | 5 | 15 | 65 | Ø 10,5 | 135 | JF-13080 |
| 100 | 17 | 45 | 15 | 40 | 5 | 15 | 72 | Ø 10,5 | 151 | JF-13100 |



Package consists of 2 pcs. including mounting accessories.

Fixing plates in steel

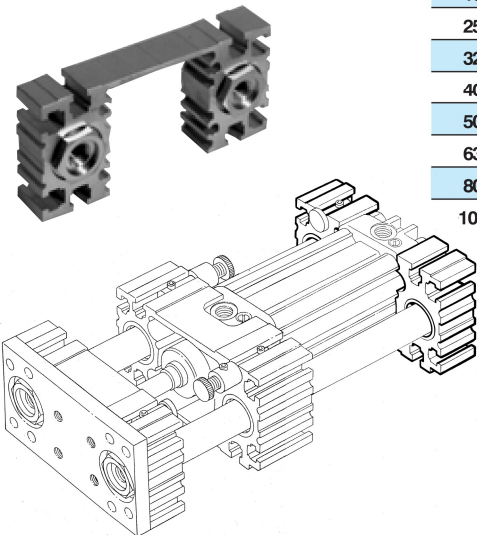
| SIZE | A | B | C | D | E | F | Part number |
|----------|---|----|------|----|----|-----|-------------|
| 16 | 3 | 7 | 7,5 | 15 | 30 | M4 | JF-42016 |
| 25 | 4 | 8 | 10 | 15 | 35 | M5 | JF-42025 |
| 32 - 40 | 4 | 10 | 10 | 20 | 40 | M6 | JF-42040 |
| 50 | 6 | 13 | 10 | 30 | 50 | M8 | JF-42050 |
| 63 | 6 | 16 | 12,5 | 35 | 60 | M10 | JF-42063 |
| 80 - 100 | 8 | 16 | 15 | 40 | 70 | M10 | JF-42100 |



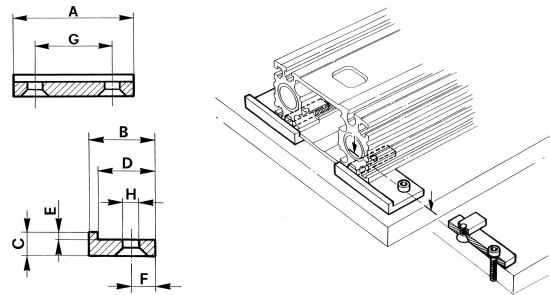
Package consists of 2 pcs. including mounting accessories.

**Shaft support for slide units
J10/J11/J12 Series**

| SIZE | Part number |
|------|-------------|
| 16 | JF-601016 |
| 25 | JF-601025 |
| 32 | JF-601032 |
| 40 | JF-601040 |
| 50 | JF-601050 |
| 63 | JF-601063 |
| 80 | JF-601080 |
| 100 | JF-601100 |

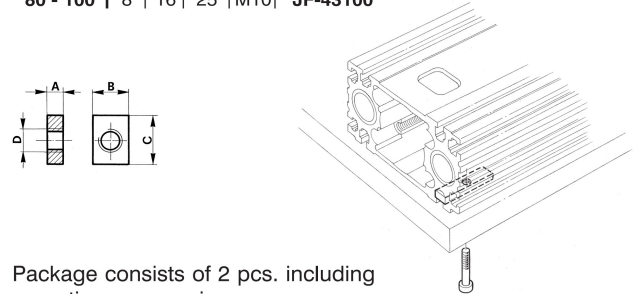


| SIZE | A | B | C | D | E | F | G | H | Part number |
|----------|----|----|----|----|---|------|----|--------|-------------|
| 16 | 50 | 30 | 10 | 26 | 3 | 9 | 31 | Ø 4,5 | JF-14016 |
| 25 | 55 | 30 | 10 | 26 | 3 | 9 | 34 | Ø 5,5 | JF-14025 |
| 32 | 60 | 35 | 10 | 30 | 4 | 10 | 38 | Ø 6,5 | JF-14032 |
| 40 | 65 | 35 | 10 | 30 | 4 | 10 | 40 | Ø 6,5 | JF-14040 |
| 50 | 70 | 40 | 15 | 35 | 4 | 12,5 | 45 | Ø 8,5 | JF-14050 |
| 63 | 85 | 45 | 15 | 40 | 4 | 15 | 56 | Ø 10,5 | JF-14063 |
| 80 - 100 | 90 | 45 | 15 | 40 | 4 | 15 | 58 | Ø 10,5 | JF-14100 |



Package consists of 4 pcs. including mounting accessories.

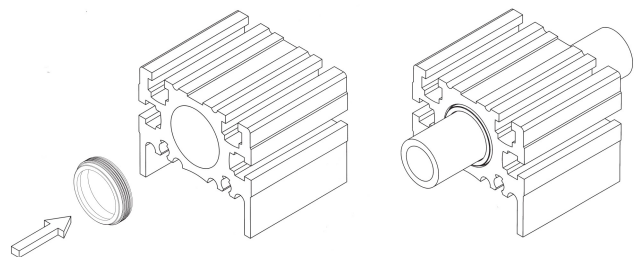
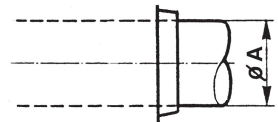
| SIZE | A | B | C | D | Part number |
|----------|---|----|----|-----|-------------|
| 16 | 3 | 7 | 16 | M4 | JF-43016 |
| 25 | 4 | 8 | 16 | M5 | JF-43025 |
| 32 - 40 | 4 | 10 | 18 | M6 | JF-43040 |
| 50 | 6 | 13 | 18 | M8 | JF-43050 |
| 63 | 6 | 16 | 22 | M10 | JF-43063 |
| 80 - 100 | 8 | 16 | 25 | M10 | JF-43100 |



Package consists of 2 pcs. including mounting accessories.

Scraper bearings

| SIZE | Ø A | Part number |
|----------|-----|-------------|
| 16 | 12 | JF-19016 |
| 25 | 16 | JF-19025 |
| 32 | 20 | JF-19032 |
| 40 | 22 | JF-19040 |
| 50 | 25 | JF-19050 |
| 63 | 28 | JF-19063 |
| 80 - 100 | 32 | JF-19100 |



Package comprises 4 pcs.