



HZE_Air treatment units

- └ Modern design
- └ Modularity
- └ Easy assembly
- └ HZE0: G1/4" (40 mm)
HZE1: G3/8" (63 mm)
HZE2: G1/2" (80 mm)

HZE

Air treatment units



Integrated pressure gauge standard supplied



Threaded square adaptor for round pressure gauge standard supplied (optional for size 0)



Gradual starter



Shut-off valve



Lockable valve



Diverter block



Fixing accessories



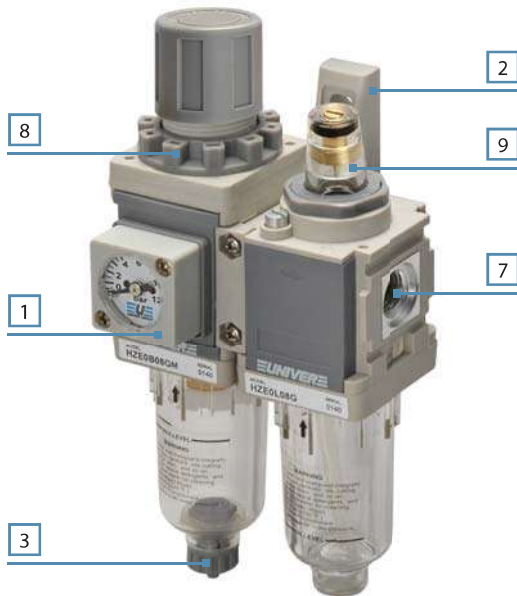
manual/semi-auto exhaust



automatic exhaust

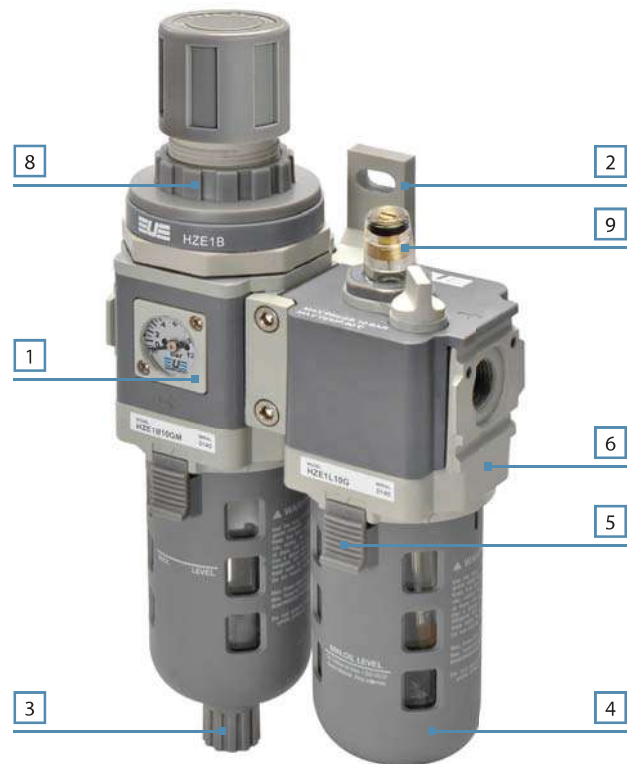
_size 0

- 1_ Integrated pressure gauge standard supplied
- 2_ T-bracket for wall mounting
- 3_ Manual exhaust
- 7_ Metal thread
- 8_ Panel ring nut standard supplied
- 9_ Transparent dome and integrated regulation



_size 1 - 2

- 1_ Integrated pressure gauge standard supplied
- 2_ T-bracket for wall mounting
- 3_ Manual exhaust
- 4_ Bowl with guard standard supplied
- 5_ Safety locking device
- 6_ Metal body
- 8_ Panel ring nut standard supplied
- 9_ Transparent dome and integrated regulation



| TYPE | SIZE | POSITION | PRESSURE ADJUSTMENT | | LOCKABLE REGULATOR | FILTRATION RATING | | BOWL PROTECTION | CONDENSATION DRAIN | | | PRESSURE GAUGE | | |
|------|-------|----------|---------------------|-------|--------------------|-------------------|-------|-----------------|--------------------|-----------|------|-------------------|--------------|---|
| | | | 0,5 ÷ 8,5 bar | Altro | | 5 µm | 40 µm | | Manual | Semi-auto | Auto | Square integrated | G1/8 adaptor | |
| D | FR+L | 0 | G1/4" | ■ | ○ | — | ■ | ○ | — | ■ | ○ | — | ■ | ○ |
| | | 1 | G3/8"-G1/2" | ■ | ○ | ○ | ■ | ○ | ■ | ■ | ○ | ○ | ■ | ■ |
| | | 2 | G1/2" | ■ | ○ | ○ | ■ | ○ | ■ | ■ | ○ | ○ | ■ | ■ |
| C | F+R+L | 0 | G1/4" | ■ | ○ | — | ■ | ○ | — | ■ | ○ | — | ■ | ○ |
| | | 1 | G3/8"-G1/2" | ■ | ○ | ○ | ■ | ○ | ■ | ■ | ○ | ○ | ■ | ■ |
| | | 2 | G1/2" | ■ | ○ | ○ | ■ | ○ | ■ | ■ | ○ | ○ | ■ | ■ |
| B | FR | 0 | G1/4" | ■ | ○ | — | ■ | ○ | — | ■ | ○ | — | ■ | ○ |
| | | 1 | G3/8"-G1/2" | ■ | ○ | ○ | ■ | ○ | ■ | ■ | ○ | ○ | ■ | ■ |
| | | 2 | G1/2" | ■ | ○ | ○ | ■ | ○ | ■ | ■ | ○ | ○ | ■ | ■ |
| F | F | 0 | G1/4" | — | — | — | ■ | ○ | — | ■ | ○ | — | — | — |
| | | 1 | G3/8"-G1/2" | — | — | — | ■ | ○ | ■ | ■ | ○ | ○ | — | — |
| | | 2 | G1/2" | — | — | — | ■ | ○ | ■ | ■ | ○ | ○ | — | — |
| R | R | 0 | G1/4" | ■ | ○ | — | — | — | — | ■ | ○ | — | ■ | ○ |
| | | 1 | G3/8"-G1/2" | ■ | ○ | ○ | — | — | ■ | ■ | ○ | ○ | ■ | ■ |
| | | 2 | G1/2" | ■ | ○ | ○ | — | — | ■ | ■ | ○ | ○ | ■ | ■ |
| L | L | 0 | G1/4" | — | — | — | — | — | — | — | — | — | — | — |
| | | 1 | G3/8"-G1/2" | — | — | — | — | — | ■ | — | — | — | — | — |
| | | 2 | G1/2" | — | — | — | — | — | ■ | — | — | — | — | — |

■ = standard

○ = upon request

— = not available

HZE

Air treatment units

New series available in 3 sizes

- HZE0 - G1/4" (40 mm)
- HZE1 - G3/8" (63 mm)
- HZE2 - G1/2" (80 mm)

Standard configurations

- Filter
- Regulator
- Lubricator
- Filter regulator (FR)
- Filter regulator + Lubricator (FR+L)
- Filter + Regulator + Lubricator (F+R+L)

Integrated square pressure gauge standard supplied (where foreseen)



TECHNICAL CHARACTERISTICS

| | |
|---------------------|---|
| Ambient temperature | 5 ÷ 60 °C |
| Fluid | compressed air, with or without lubrication |
| Working pressure | 0 ÷ 10 bar |
| Max pressure | 12 bar |
| Size | 0 - 1 - 2 |

CONSTRUCTIVE CHARACTERISTICS

| | |
|----------------|---|
| Body | tecnopolymer with metal threaded elements (size 0) die-cast aluminium (size 1 - 2) |
| Knob | tecnopolymer |
| Ring nut | tecnopolymer |
| Bowl | polycarbonate |
| Bowl guard | tecnopolymer (size 1-2) |
| Filter element | synthetic fibre |
| Seals | nitrile rubber |
| Springs | steel |
| Diaphragm | fabric reinforced rubber |

CODIFICATION KEY

| | | | | | | | | | |
|---|---|---|---|---|---|---|---|---|--|
| H | Z | E | 0 | B | 0 | 8 | G | M | |
| 1 | 2 | 3 | 4 | 5 | 6 | | | | |

| 1 Series | 2 Size | 3 Model |
|----------|--|--|
| HZE | 0 = small (G1/4") 1 = medium (G3/8" - G1/2") 2 = large (G1/2") | B = Filter regulator C = Filter+Regulator+Lubricator (F+R+L) D = Filter regulator+Lubricator (FR+L) F = Filter L = Lubricator R = Regulator |

| 4 Port | 5 Pressure gauge | 6 Filtration |
|--|---|---|
| 08G = G1/4" (tg.0) 10G = G3/8" (tg.1) 15G = G1/2" (tg.1 - 2) | blank = port G1/8 (upon request only for size 0) M = integrated square pressure gauge (standard) | blank = 5 micron (standard) su richiesta = other filtration ratings |

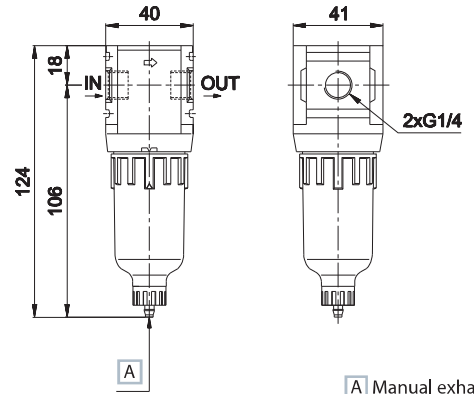
Size 0: G1/8 thread optional (code HZE7Z480)

Size 1 - 2: G1/8 square adaptor included for round pressure gauge mounting

| Size | 0 | 1 | 2 | |
|-----------------------------------|----------------|----------------|----------------|----------|
| Part no. | HZE0F08G | HZE1F10G | HZE1F15G | HZE2F15G |
| Threaded port | G1/4 | G3/8 | G1/2 | G1/2 |
| Filtration rating (µm) | 5 | 5 | 5 | 5 |
| Flow rate (NI/min) ^(A) | 1100 | 3500 | 6500 | |
| Max inlet pressure (bar-MPa-psi) | 10 - 1 - 145 | 10 - 1 - 145 | 10 - 1 - 145 | |
| Fluid | compressed air | compressed air | compressed air | |
| Temperature (°C) | 0 ÷ 60 | 0 ÷ 60 | 0 ÷ 60 | |
| Condensation drain capacity (cm3) | 12 | 45 | 80 | |
| Condensation drain | manual | manual | manual | |
| Weight (Kg) | 0,10 | 0,31 | 0,55 | |
| Mounting position | vertical | vertical | vertical | |

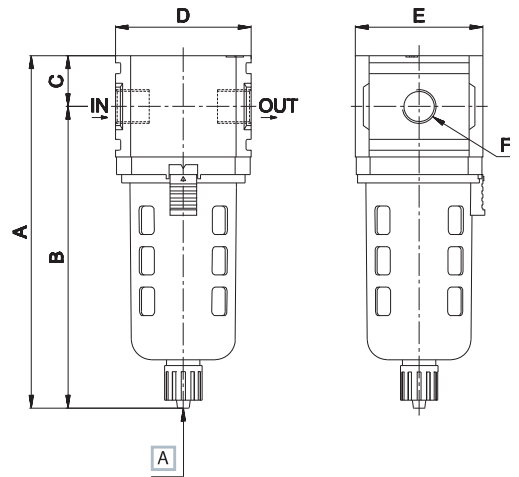
(A) = inlet pressure 6 bar, outlet pressure 5 bar - Δp 1 bar

HZE0F08G



A Manual exhaust

HZE1F10G - HZE1F15G / HZE2F15G



A Manual exhaust

| size | A | B | C | D | E | F |
|------|-----|-----|----|----|----|-----------|
| 1 | 180 | 157 | 23 | 63 | 63 | G3/8-G1/2 |
| 2 | 195 | 172 | 23 | 80 | 80 | G1/2 |

| Size | 0 | 1 | 2 | |
|---|---------------------|---------------------|---------------------|-----------|
| Part no. | HZE0R08GM | HZE1R10GM | HZE1R15GM | HZE2R15GM |
| Threaded port | G1/4 | G3/8 | G1/2 | G1/2 |
| Flow (NI/min) (A) | 1000 | 2100 | 4300 | |
| Max inlet pressure (bar-MPa-psi) | 10 - 1 - 145 | 10 - 1 - 145 | 10 - 1 - 145 | |
| Pressure adjustment relieving (bar) (D) | 0,5 ÷ 8,5 | 0,5 ÷ 8,5 | 0,5 ÷ 8,5 | |
| Pressure gauge (standard supplied) | HZ9464G | HZ9464G | HZ9464G | |
| Pressure gauge port | G1/8 (B) | G1/8 (C) | G1/8 (C) | |
| Fluid | aria filtrata | aria filtrata | aria filtrata | |
| Temperature (°C) | 0 ÷ 60 | 0 ÷ 60 | 0 ÷ 60 | |
| Weight (Kg) | 0,16 | 0,45 | 0,70 | |
| Mounting position | vertical/horizontal | vertical/horizontal | vertical/horizontal | |

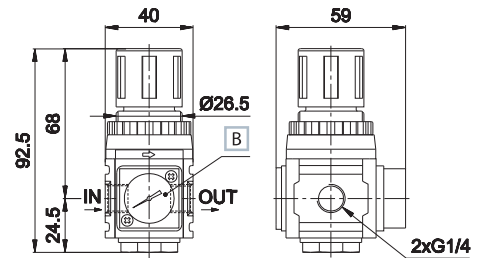
(A) = inlet pressure 6 bar, outlet pressure 5 bar - Δp 1 bar

(B) = optional (replace HZ9464G gauge with G1/8 adaptor HZE7Z480 to be ordered separately)

(C) = standard (replace HZ9464G gauge with G1/8 adaptor HZE7Z480 placed on the back side)

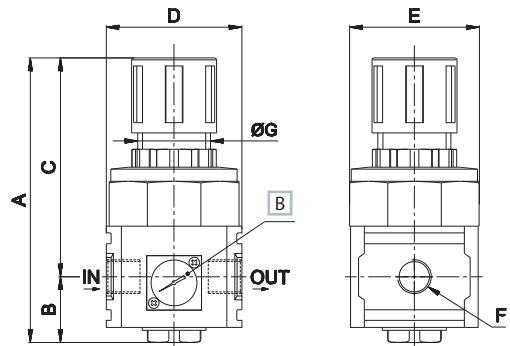
(D) = setting option 2 bar - 4 bar

HZE0R08GM



B HZ9464G gauge standard supplied

HZE1R10GM - HZE1R15GM / HZE2R15GM



B HZ9464G gauge standard supplied

| size | A | B | C | D | E | F | G |
|------|-----|------|-------|----|----|-----------|----|
| 1 | 136 | 32,5 | 103,5 | 63 | 63 | G3/8-G1/2 | 40 |
| 2 | 145 | 34,5 | 110,5 | 80 | 80 | G1/2 | 47 |

> Lockable regulator size 1 - 2



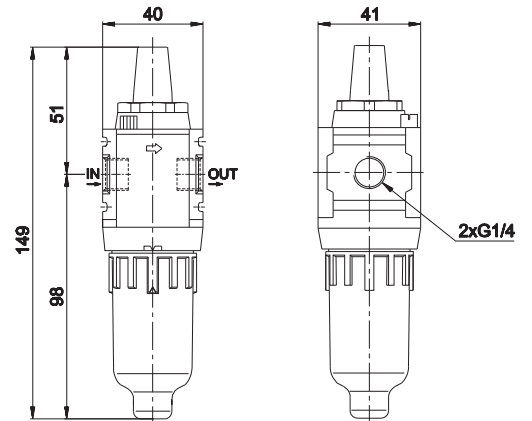
| size | Part no. |
|------|-------------------------|
| 1 | HZE1RL10GM - HZE1RL15GM |
| 2 | HZE2RL15GM |

Lock not included

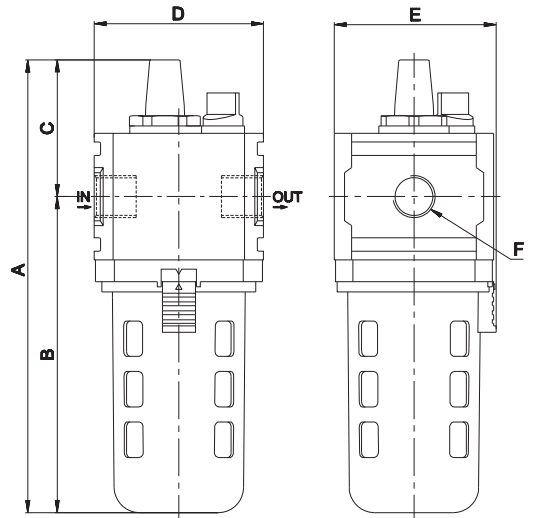
| Size | 0 | 1 | 2 | |
|----------------------------------|---------------|---------------|---------------|----------|
| Part no. | HZE0L08G | HZE1L10G | HZE1L15G | HZE2L15G |
| Threaded port | G1/4 | G3/8 | G1/2 | G1/2 |
| Flow (Nl/min) (A) | 1400 | 4400 | 7000 | |
| Max inlet pressure (bar-MPa-psi) | 10-1-145 | 10-1-145 | 10-1-145 | |
| Fluid | fi ltered air | fi ltered air | fi ltered air | |
| Temperature (°C) | 0 ÷ 60 | 0 ÷ 60 | 0 ÷ 60 | |
| Bowl capacity (cm3) | 20 | 85 | 170 | |
| Weight (Kg) | 0,10 | 0,31 | 0,46 | |
| Mounting position | vertical | vertical | vertical | |
| Recommended oil | ISO VG 32 | ISO VG 32 | ISO VG 32 | |
| Minimum working fl ow (l/min) | 25 | 30 | 65 | |

(A) = inlet pressure 6 bar, outlet pressure 5 bar - Δp 1 bar

HZE0L08G



HZE1L10G - HZE1L15G / HZE2L15G



| size | A | B | C | D | E | F |
|------|-------|-----|------|----|----|-----------|
| 1 | 182,5 | 130 | 52,5 | 63 | 63 | G3/8-G1/2 |
| 2 | 201,5 | 148 | 53,5 | 80 | 80 | G1/2 |

| Size | 0 | 1 | 2 | |
|---|----------------|----------------|----------------|----------------|
| Part no. | HZE0B08GM | HZE1B10GM | HZE1B15GM | HZE2B15GM |
| Threaded port | G1/4 | G3/8 | G1/2 | G1/2 |
| Filtration rating (µm) | 5 | 5 | 5 | 5 |
| Flow NI/min (A) | 600 | 2300 | 4500 | 4500 |
| Max inlet pressure (bar-MPa-psi) | 10-1-145 | 10-1-145 | 10-1-145 | 10-1-145 |
| Pressure adjustment by relieving (bar)(D) | 0,5 ÷ 8,5 | 0,5 ÷ 8,5 | 0,5 ÷ 8,5 | 0,5 ÷ 8,5 |
| Pressure gauge (standard supplied) | HZ9464G | HZ9464G | HZ9464G | HZ9464G |
| Pressure gauge port | G1/8(B) | G1/8(C) | G1/8(C) | G1/8(C) |
| Fluid | compressed air | compressed air | compressed air | compressed air |
| Temperature (°C) | 0 ÷ 60 | 0 ÷ 60 | 0 ÷ 60 | 0 ÷ 60 |
| Condensation drain capacity (cm3) | 12 | 45 | 80 | 80 |
| Condensation drain | manual | manual | manual | manual |
| Weight (Kg) | 0,21 | 0,65 | 1,00 | 1,00 |
| Mounting position | vertical | vertical | vertical | vertical |

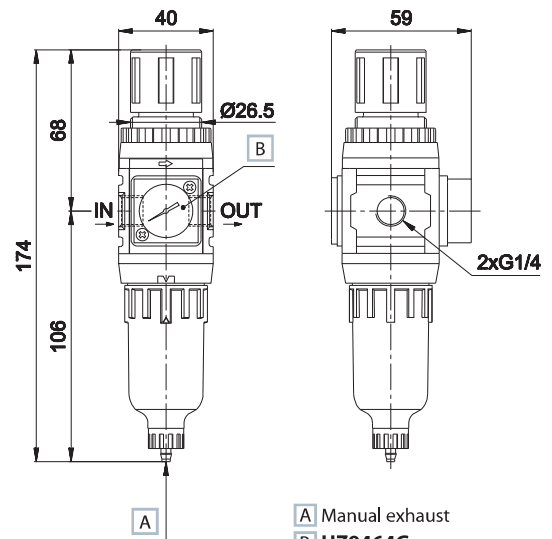
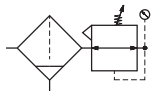
(A) = inlet pressure 6 bar, outlet pressure 5 bar - Δp 1 bar

(B) = optional (replace HZ9464G gauge with G1/8 adaptor HZE7Z480 to be ordered separately)

(C) = standard (replace HZ9464G gauge with G1/8 adaptor HZE7Z480 placed on the back side)

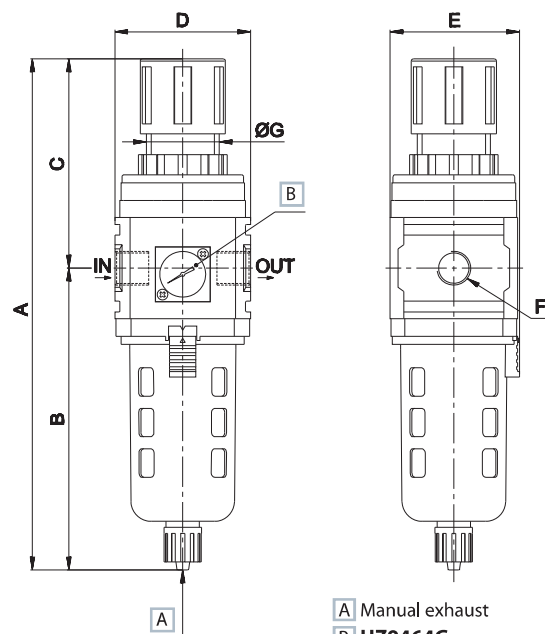
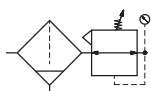
(D) = setting option 2 bar - 4 bar

HZE0B08GM



A Manual exhaust
 B HZ9464G gauge standard supplied

HZE1B10GM - HZE1B15GM / HZE2B15GM



A Manual exhaust
 B HZ9464G gauge standard supplied

| size | A | B | C | D | E | F | G |
|------|-----|-----|-----|----|----|-----------|----|
| 1 | 259 | 156 | 103 | 63 | 63 | G3/8-G1/2 | 40 |
| 2 | 280 | 170 | 110 | 80 | 80 | G1/2 | 47 |

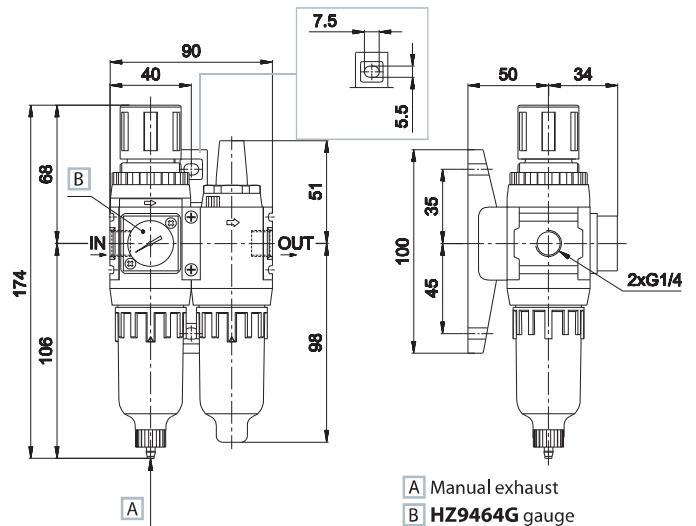
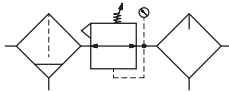
| size | 0 | 1 | 2 | |
|--|----------------|----------------|----------------|----------------|
| Part no. | HZE0D08GM | HZE1D10GM | HZE1D15GM | HZE2D15GM |
| Threaded port | G1/4 | G3/8 | G1/2 | G1/2 |
| Filtration rating (µm) | 5 | 5 | 5 | 5 |
| Flow NI/min (A) | 600 | 2800 | 4300 | |
| Max inlet pressure (bar-MPa-psi) | 10-1-145 | 10-1-145 | 10-1-145 | 10-1-145 |
| Pressure adjustment by relieving (bar) | 0,5 ÷ 8,5 | 0,5 ÷ 8,5 | 0,5 ÷ 8,5 | 0,5 ÷ 8,5 |
| Pressure gauge (standard supplied) | HZ9464G | HZ9464G | HZ9464G | HZ9464G |
| Pressure gauge port | G1/8(B) | G1/8(C) | G1/8(C) | G1/8(C) |
| Fluid | compressed air | compressed air | compressed air | compressed air |
| Temperature (°C) | 0 ÷ 60 | 0 ÷ 60 | 0 ÷ 60 | 0 ÷ 60 |
| Condensation drain capacity (cm3) | 12 | 45 | 80 | |
| Condensation drain | manual | manual | manual | manual |
| Weight (Kg) | 0,33 | 1,05 | 1,55 | |
| Mounting position | vertical | vertical | vertical | vertical |
| Recommended oil | ISO VG 32 | ISO VG 32 | ISO VG 32 | ISO VG 32 |
| Minimum working flow (l/min) | 25 | 30 | 65 | |

(A) = inlet pressure 6 bar, outlet pressure 5 bar - Δp 1 bar

(B) = optional (replace HZ9464G gauge with G1/8 adaptor HZE7Z480 to be ordered separately)

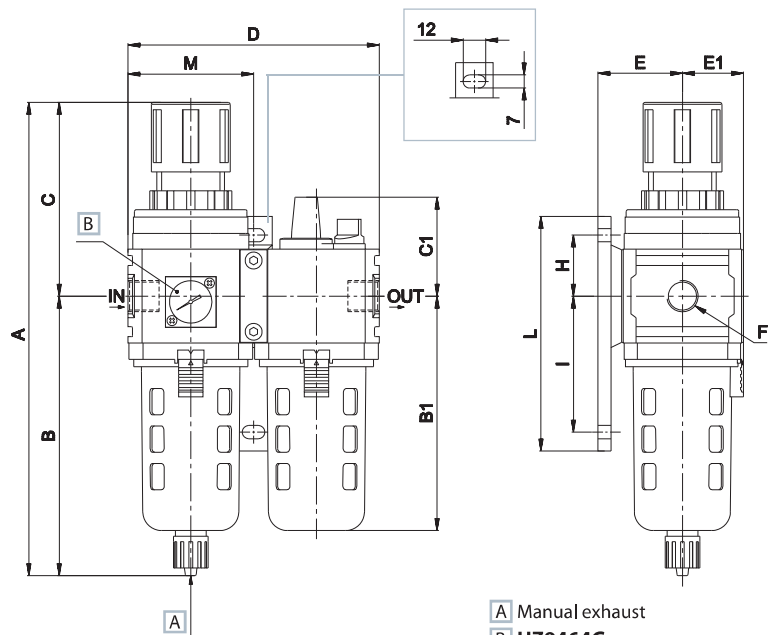
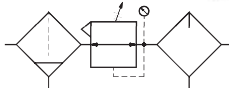
(C) = standard (replace HZ9464G gauge with G1/8 adaptor HZE7Z480 placed on the back side)

HZE0D08GM



- A** Manual exhaust
- B** **HZ9464G** gauge standard supplied

HZE1D10GM - HZE2D15GM



- A** Manual exhaust
- B** **HZ9464G** gauge standard supplied

| size | A | B | B1 | C | C1 | D | E | E1 | F | H | I | L | M |
|------|-----|-----|-----|-----|------|-----|----|------|-----------|----|----|-----|----|
| 1 | 259 | 156 | 130 | 103 | 52,5 | 126 | 45 | 31,5 | G3/8-G1/2 | 45 | 60 | 125 | 63 |
| 2 | 280 | 170 | 148 | 110 | 53,5 | 160 | 55 | 40 | G1/2 | 45 | 60 | 125 | 80 |

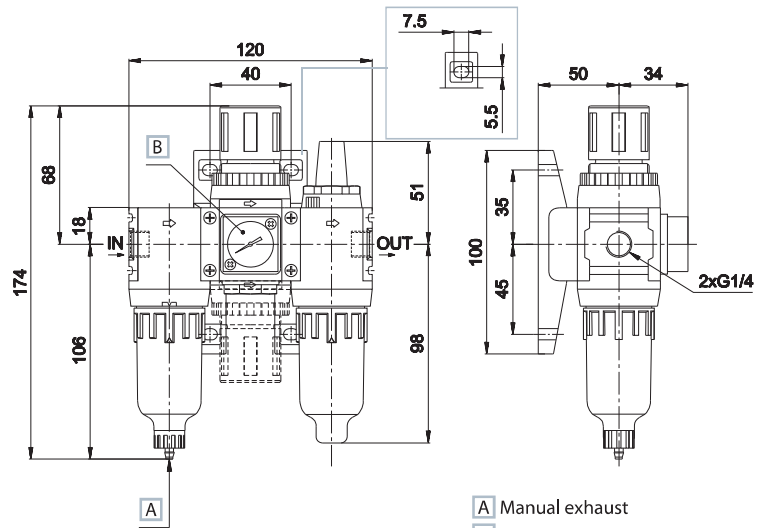
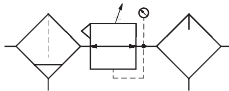
| size | 0 | 1 | 2 | |
|--|---------------------|---------------------|---------------------|---------------------|
| Part no. | HZE0C08GM | HZE1C10GM | HZE1C15GM | HZE2C15GM |
| Threaded port | G1/4 | G3/8 | G1/2 | G1/2 |
| Filtration rating (µm) | 5 | 5 | 5 | 5 |
| Flow NI/min ^(A) | 550 | 1700 | 2500 | |
| Max inlet pressure (bar-MPa-psi) | 10-1-145 | 10-1-145 | 10-1-145 | 10-1-145 |
| Pressure adjustment by relieving (bar) | 0,5 ÷ 8,5 | 0,5 ÷ 8,5 | 0,5 ÷ 8,5 | 0,5 ÷ 8,5 |
| Pressure gauge (standard supplied) | HZ9464G | HZ9464G | HZ9464G | HZ9464G |
| Pressure gauge port | G1/8 ^(B) | G1/8 ^(C) | G1/8 ^(C) | G1/8 ^(C) |
| Fluid | compressed air | compressed air | compressed air | compressed air |
| Temperature (°C) | 0 ÷ 60 | 0 ÷ 60 | 0 ÷ 60 | 0 ÷ 60 |
| Condensation drain capacity (cm3) | 12 | 45 | 80 | |
| Condensation drain | manual | manual | manual | manual |
| Weight (Kg) | 0,40 | 1,25 | 1,90 | |
| Mounting position | vertical | vertical | vertical | vertical |
| Recommended oil | ISO VG 32 | ISO VG 32 | ISO VG 32 | ISO VG 32 |
| Minimum working flow (l/min) | 25 | 30 | 65 | |

(A) = inlet pressure 6 bar, outlet pressure 5 bar - Δp 1 bar

(B) = optional (replace HZ9464G gauge with G1/8 adaptor HZE7Z480 to be ordered separately)

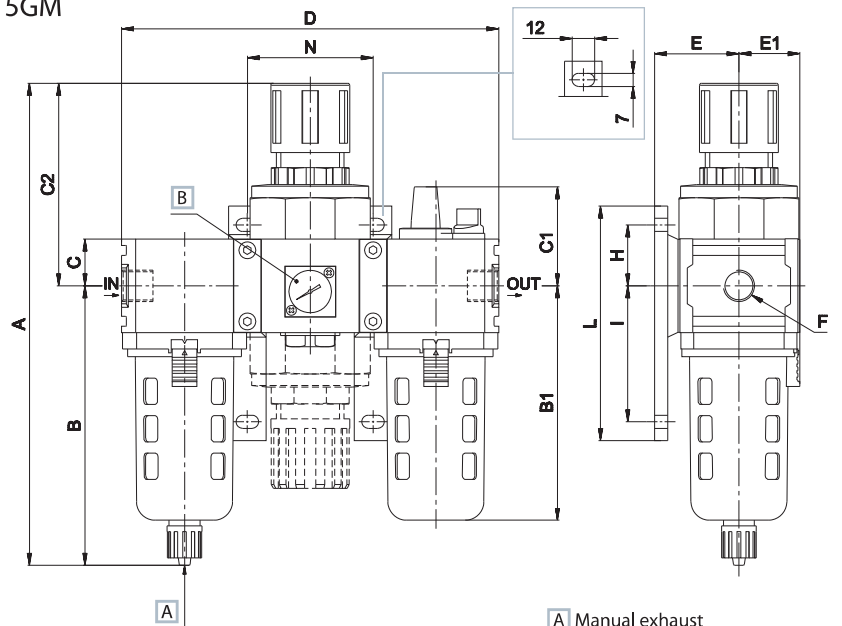
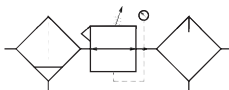
(C) = standard (replace HZ9464G gauge with G1/8 adaptor HZE7Z480 placed on the back side)

HZE0C08GM



A Manual exhaust
B HZ9464G gauge standard supplied

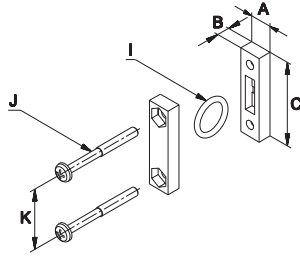
HZE1C10GM - HZE1C15GM / HZE2C15GM



A Manual exhaust
B HZ9464G gauge standard supplied

| size | A | B | B1 | C | C1 | C2 | D | E | E1 | F | H | I | L | N |
|------|-------|-----|-----|----|------|-------|-----|----|------|-----------|----|----|-----|----|
| 1 | 260,5 | 157 | 130 | 23 | 52,5 | 103,5 | 190 | 45 | 31,5 | G3/8-G1/2 | 45 | 60 | 125 | 63 |
| 2 | 282,5 | 172 | 148 | 23 | 53,5 | 110,5 | 240 | 55 | 40 | G1/2 | 45 | 60 | 125 | 80 |

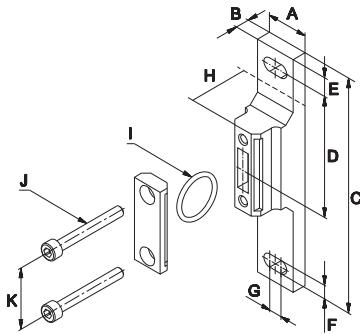
Assembly kit



| size | A | B | C | ØI | J | K | Part no. |
|------|-----|-----|----|------|-------|----|----------|
| 0 | 9,5 | 5,5 | 36 | 18 | M3x37 | 26 | HZE0Z200 |
| 1 | 15 | 7 | 44 | 25,7 | M5x45 | 32 | HZE1Z200 |
| 2 | | | | | | | |



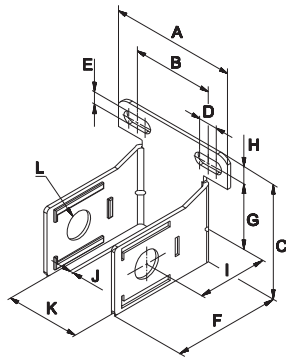
Assembly kit T-bracket



| size | A | B | C | D | E | F | G | H | ØI | J | K | Part no. |
|------|------|---|-----|------|----|-----|---|----|------|-------|----|----------|
| 0 | 16 | 7 | 105 | 35,5 | 10 | 5,5 | 4 | 25 | 18 | M3x37 | 26 | HZE0Z210 |
| 1 | 22 | 7 | 125 | 45 | 10 | 7 | 7 | 27 | 25,7 | M5x45 | 32 | HZE1Z210 |
| 2 | 22,5 | 7 | 125 | 45 | 10 | 7 | 7 | 37 | 25,7 | M5x45 | 32 | HZE2Z210 |



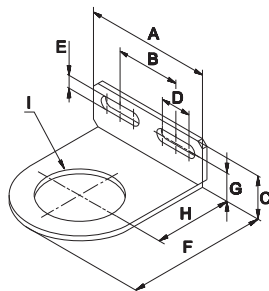
C-bracket



| size | A | B | C | D | E | F | G | H | I | J | K | ØL | Part no. |
|------|----|------|------|----|-----|-----|----|-----|----|-----|----|----|----------|
| 0 | 68 | 44 | 61,5 | 10 | 6,5 | 60 | 35 | 8,5 | 40 | 2 | 40 | 14 | HZE0Z300 |
| 1 | 67 | 34,5 | 76 | 14 | 7 | 69 | 45 | 9 | 45 | 2,3 | 63 | 25 | HZE1Z300 |
| 2 | 84 | 55 | 93,5 | 14 | 9 | 102 | 50 | 11 | 65 | 2,3 | 80 | 25 | HZE2Z300 |



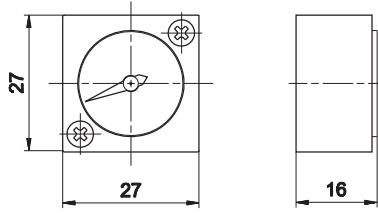
Regulator L-bracket



| size | A | B | C | D | E | F | G | H | ØI | Part no. |
|------|----|------|------|------|-----|----|----|----|------|----------|
| 0 | 68 | 44 | 24,5 | 10 | 6,5 | 59 | 16 | 40 | 26,5 | HZE0Z310 |
| 1 | 67 | 34,5 | 26 | 16,5 | 7 | 76 | 18 | 45 | 40 | HZE1Z310 |
| 2 | 84 | 55 | 26 | 16,5 | 7 | 94 | 18 | 45 | 47 | HZE2Z310 |



HZ9464G



Square pressure gauge standard supplied
size 0 - 1 - 2 (0 ÷ 12 bar)
Bolt tightening torque: Max 0,6 Nm

HZE7Z480

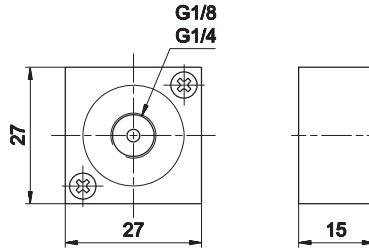
HZE7Z490



G1/8



G1/4



Threaded square adaptor for round pressure gauge
Bolt tightening torque: Max 0,6 Nm

> Seal detail



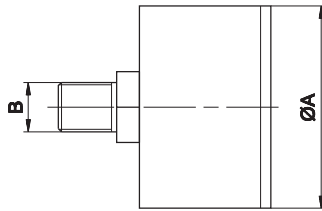
1



2

While replacing the square gauge with the threaded square adaptor, be sure that the seal is rotated like in photo no 1.

HZ9P...



| Part no. | Ø A | Scale | | Port - B |
|-------------------|-----|---------|----------|----------|
| | | bar | MPa | |
| HZ9P400318 | 40 | 0 - 2,5 | 0 - 0,25 | G1/8C |
| HZ9P400618 | 40 | 0 - 6 | 0 - 0,6 | G1/8C |
| HZ9P401018 | 40 | 0 - 10 | 0 - 1 | G1/8C |
| HZ9P500314 | 50 | 0 - 2,5 | 0 - 0,25 | G1/4C |
| HZ9P500614 | 50 | 0 - 6 | 0 - 0,6 | G1/4C |
| HZ9P501014 | 50 | 0 - 10 | 0 - 1 | G1/4C |
| HZ9P630314 | 63 | 0 - 2,5 | 0 - 0,25 | G1/4C |
| HZ9P630614 | 63 | 0 - 6 | 0 - 0,6 | G1/4C |
| HZ9P631014 | 63 | 0 - 10 | 0 - 1 | G1/4C |

Body: tecnopolymer
Dial: pressure inserted acrylic
Accuracy: EN 837 class 1,6 - 2,5. ASME B40.1 Grade B
Protection: IP 43

> **Filter and filter regulator spare parts**

Standard bowl with manual drain

Automatic drain



Size 0
HZE0Z600

Size 1
HZE1Z600

Size 2
HZE2Z600

Size 1
HZE1Z400

Size 2
HZE2Z400

Filter elements

Coalescing filter



Size 0
HZE0Z660

Size 1
HZE1Z660

Size 2
HZE2Z660

5 µm

HZE0Z664 HZE1Z664 HZE2Z664 20/50 µm

Size 1
HZE1Z670

Size 2
HZE2Z670

0,3 µm

> **Lubricator spare parts**

Bowl

Lubricator dome



Size 0
HZE0Z601

Size 1
HZE1Z601

Size 2
HZE2Z601

Size 0 - 1 - 2
HZE7Z470

> **Regulator and filter regulator spare parts**

Diaphragm assembly

Regulator spring

Panel ring nut



Size 0
HZE0Z610

Size 1
HZE1Z610

Size 2
HZE2Z610

with relieving

HZE0Z611 HZE1Z611 HZE2Z611 without relieving

Size 1
HZE1Z652

Size 2
HZE2Z652

Pressure adjustment

HZE1Z654 HZE2Z654 0,5 ÷ 1,7

HZE1Z658 HZE2Z658 0,5 ÷ 3,5

HZE1Z658 HZE2Z658 0,5 ÷ 8,5

Size 0
HZE0Z603

Size 1
HZE1Z603

Size 2
HZE2Z603

Knob



Size 0
HZE0Z602

Size 1
HZE1Z602

Size 2
HZE2Z602

UNIVER S.p.A.
Headquarter

I - 20128 **Milano**
Via Eraclito, 31
Tel. +39 02 25298.1
Fax +39 02 2575254
e-mail: info@univer-group.com
www.univer-group.com

UNIVER SERVICE S.r.l.
Headquarter

I - 20128 **Milano**
Via Empedocle, 20
Tel. +39 02 25298.1
Fax +39 02 25298370
e-mail: universervice@universervice.it
www.universervice.it

UNIVER CUNEO S.r.l.

12040 **Cervere (CN)**
Via dell'Aviazione s.n.
Tel. +39 0172 495790/38
Fax +39 0172 2495611

Branch Office:

LOMBARDIA/VENETO

I - 20128 **Milano**
Via Empedocle, 20
Tel. +39 0225298.1
Fax +39 0225298370
universervice@universervice.it
www.universervice.it

I - 24060 Castelli Calepio **Bergamo**
Via C. Curotti, 31/33
Tel. +39 035 892707
Fax +39 035 892700
castellicalepio@universervice.it
www.universervice.it

PIEMONTE/LIGURIA/VALLE D'AOSTA

I - 10071 Borgaro Torinese **Torino**
Via Veneto, 18
Tel. +39 011 4501871
Fax +39 011 4502898
torino@universervice.it
www.universervice.it

EMILIA ROMAGNA/TOSCANA/MARCHE

I - 40069 Zola Predosa **Bologna**
Via Guido Rossa, 21
Tel. +39 051 753907
Fax +39 051 6184751
bologna@universervice.it
www.universervice.it

CENTRO/SUD

I - 40069 Zola Predosa **Bologna**
Via Guido Rossa, 21
Tel. +39 051 753907
Fax +39 051 6184751
bologna@universervice.it
www.universervice.it

www.univer-group.com

UNIVER Pty Ltd

AUSTRALIA - 3175 **Victoria**
Nicole Way Dandenong, 11
Tel. +61 3 97930377
Fax +61 3 97930399
e-mail: sales@univer.net.au

UNIVER G.m.b.H.

GERMANY - 53859 **Niederkassel**
Marktstraße 114
Tel. +49 2208 90900
Fax +49 2208 909040
e-mail: info@univer-gmbh.de
www.univer-gmbh.de

UNIVER

Manufacturing Company Ltd.
UNITED KINGDOM - Bradford
Station Road - West Yorkshire BD145F
Tel. +44 1274 725777
Fax +44 1274 725111
e-mail: enquiries@univer.co.uk
www.univer.co.uk

UNIVER do Brasil S/A

BRASIL - 83055-320
São José dos Pinhais - Paraná
Av. Rui Barbosa, 3005
Tel. +55 41 33824606
Fax +55 41 33824807
e-mail: univerbrasil@univer.com.br
www.univer.com.br

UNIVER S.L.

System Supplier Pneumatic
SPAIN - 08210 **Barbera Del Valles**
Barcelona - Ronda Industria, 26 - 28
Tel. +34 93 7297360
Fax +34 93 7297380
e-mail: univer@univerweb.com
www.univerweb.com

UNIVER M. VIOLA

POLAND - 43300 **Bielsko-Biala**
Ul. Zywiecka, 158
Tel. +48 33 8105354/+48 33 8140438
Fax +48 33 8140439
e-mail: pneumatyka@univer.pl

UNIVER OY

FINLAND - 15200 **Lahti**
Hirsimetsäntie, 9
Tel. +358 207 491400
Fax +358 207 491401
e-mail: sales@univer.fi
www.univer.fi

UNIVER SWEDEN AB

SWEDEN - 44361 **Stenkullen**
Hedeforsvägen, 2
Tel. +46 302 23060
Fax +46 302 22864
e-mail: info@univer.se
www.univer.se

Distributors Worldwide:

ARGENTINA
AUSTRIA
BELGIUM
CANADA
CHINA
CÔTE D'IVOIRE
CYPRUS
CZECH REPUBLIC
DENMARK
ECUADOR
EGYPT
GREECE
HOLLAND
HUNGARY

INDIA
INDONESIAN
IRELAND
ISRAEL
LITHUANIA
MALAYSIA
MOROCCO
NEW ZEALAND
PAKISTAN
PERU
PORTUGAL
SAUDI ARABIA /
KUWAIT / QATAR

UNIVER FRANCE S.a.s.

FRANCE - 68000 **Colmar**
1, rue Denis Papin
Tel. +33 03 89210900
Fax +33 03 89216850
e-mail: info@univer-france.fr
www.univer-france.fr

UNIVER AG

SWITZERLAND - 6312 **Steinhausen**
Postfach - Sumpfstrasse, 26
Tel. +41 41 7417580
Fax +41 41 7417280
e-mail: mail@univer-ag.ch
www.univer-ag.ch

SERBIAN REPUBLIC
ROMANIA
SLOVENIA
SOUTH AFRICA
SOUTH KOREA
SYRIA
TAIWAN
THAILAND
TUNISIA
TURKEY
USA
UNITED ARAB EMIRATES /
OMAN / YEMEN