

# G6

## 20 mm - G 1/8 Valves and solenoid valves

- G1/8 threaded valve body with traditional Univer spool system
- Version with integrated electrical connection and external connection
- Compact design
- High flow rate
- Versions available: 5/2 - 5/3 - 3/2+3/2



### TECHNICAL CHARACTERISTICS

Ambient temperature	-20 ÷ +50 °C
Fluid temperature	max +50 °C
Fluid	filtered air 50 µm not dehumidified, lubricated or not
Commutation system	spool
Ways/Positions	<b>5/2, 5/3, 3/2+3/2</b>
Pressure	1,5 ÷ 9 bar
Control	indirect electro-pneumatic, pneumatic
Return	mechanical spring, pneumomechanical spring
Connections	G1/8
Nominal Ø	5 mm
Nominal flow rate (NI/min)	5/2 = <b>770</b> 5/3 = <b>700</b> 3/2+3/2 = <b>670</b>

### CONSTRUCTIVE CHARACTERISTICS

Valve body	zamak
Seals	nitrile rubber
Subbase and actuators	self-extinguishing technopolymes
Spool	aluminum

### ELECTRIC CHARACTERISTICS

Electropilot/coil	A/U05 series
Voltage	24 V DC standard, upon request 12 V DC 24 V AC - 110 V AC - 230 V AC (only for version with integrated electrical connection)
Power consumption	for direct current 2 W (2,3 VA)
Protection degree	IP65
Manual override	with button with tool 1 position

### CODIFICATION KEY

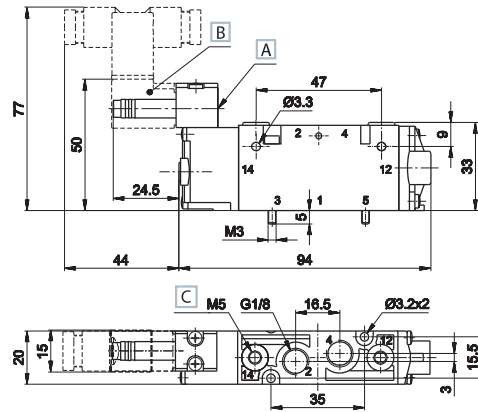
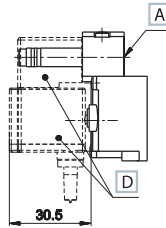
<b>G</b>	<b>6</b>	<b>6</b>	<b>4</b>	<b>4</b>	<b>D</b>
1	2	3	4	5	

1 Series	2 Type	3 Control 14
<b>G6</b> = G1/8 threaded body (except coils and connectors)	<b>2</b> = 5/2 <b>3</b> = 5/3 c.c. <b>4</b> = 5/3 o.c. <b>5</b> = 5/3 p.c. <b>6</b> = 3/2+3/2 NC-NC <b>7</b> = 3/2+3/2 NC-NO <b>8</b> = 3/2+3/2 NO-NO	<b>3</b> = pneumatic amplified <b>4</b> = electrical amplified DC <b>5</b> = electrical amplified DC/AC

4 Return 12	5 Option
<b>0</b> = pneumomechanical spring <b>1</b> = mechanical spring <b>3</b> = pneumatic amplified	<b>4</b> = electrical amplified DC <b>5</b> = electrical amplified DC/AC <b>D</b> = external servoassisted pilot

o.c. = open centres c.c. = closed centres p.c. = pressurized centres

Single electric impulse

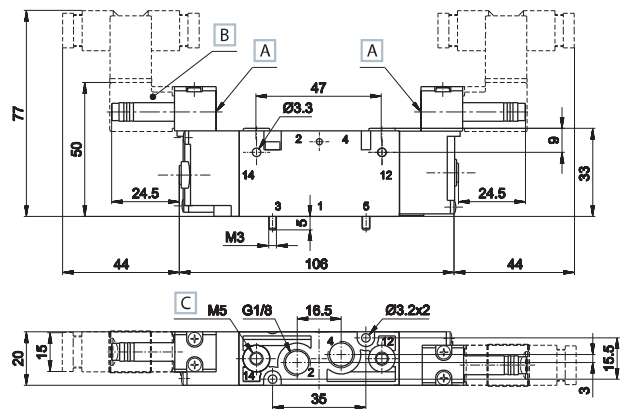
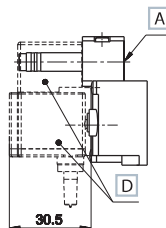


- A Manual override
- B Coil with connector for single connection
- C External servoassisted pilot
- D Coil with intergrated connector for multipolar version DD-051\*\*C

1 = Supply port      14 = Control  
 2 - 4 = Use          12 = Return  
 3 - 5 = Exhaust

Symbol	Control	Return	Flow rate (NI/min)	Pressure bar	Times (ms)		Weight Kg	Part no.
					En.	De-en.		
	electrical amplified	pneumomechanical spring	770	1,5÷9	21	30	0,112	G-6240 G-6250
	electrical amplified	mechanical spring	770	1,5÷9	18	64	0,112	G-6241 G-6251

Double electric impulse



- A Manual override
- B Coil with connector for single connection
- C External servoassisted pilot
- D Coil with intergrated connector for multipolar version DD-051\*\*C

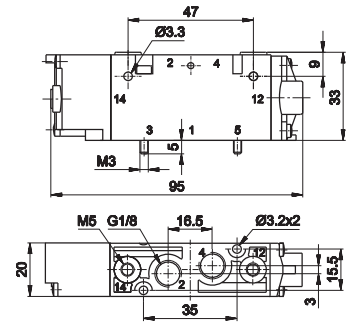
1 = Supply port      14 = Control  
 2 - 4 = Use          12 = Return  
 3 - 5 = Exhaust

Symbol	Control	Return	Flow rate (NI/min)	Pressure bar	Times (ms)		Weight Kg	Part no.
					En.	De-en.		
	electrical amplified	electrical amplified	770	0,6÷9	16	16	0,143	G-6244 G-6255
	electrical amplified	electrical amplified	700	1,9÷9	16	47	0,148	G-6344 G-6355
	electrical amplified	electrical amplified	700	2,0÷9	16	47	0,148	G-6444 G-6455
	electrical amplified	electrical amplified	700	1,9÷9	16	47	0,148	G-6544 G-6555
	electrical amplified	electrical amplified	670	1,5÷9	14	17	0,140	G-6644 G-6655
	electrical amplified	electrical amplified	670	1,5÷9	14	17	0,140	G-6744 G-6755
	electrical amplified	electrical amplified	670	1,5÷9	14	17	0,140	G-6844 G-6855

o.c. = open centres    c.c. = closed centres    p.c. = pressurized centres

Solenoid valves are supplied without coil and connector

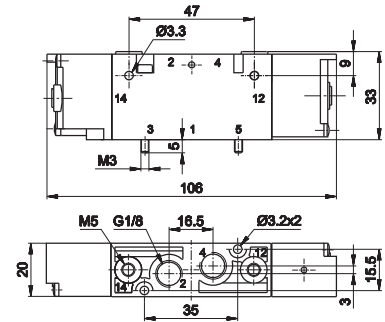
Single pneumatic impulse



1 = Supply port            14 = Control  
 2 - 4 = Use                12 = Return  
 3 - 5 = Exhaust

	Symbol	Control	Return	Flow rate (Nl/min)	Pressure bar	Times (ms)		Weight Kg	Part no.
						En.	De-en.		
5/2		pneumatic amplified	pneumomechanical spring	770	1,5÷10	7	16	0,092	G-6230
5/2		pneumatic amplified	mechanical spring	770	1,5÷10	6	18	0,092	G-6231

Double pneumatic impulse

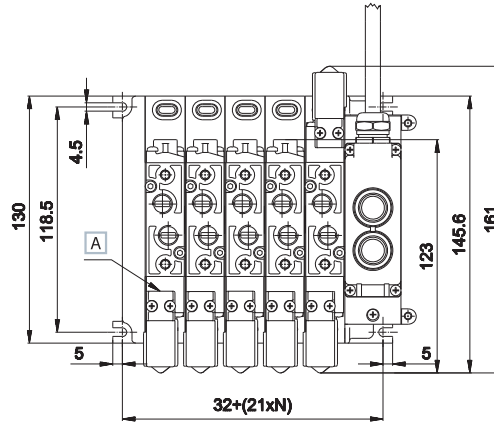
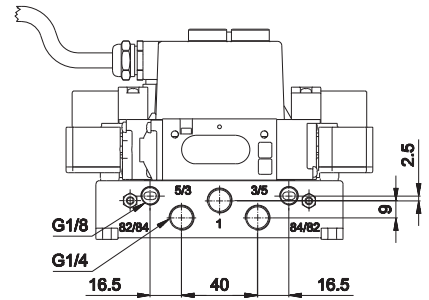
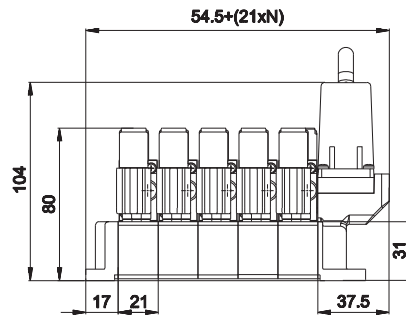


1 = Supply port            14 = Control  
 2 - 4 = Use                12 = Return  
 3 - 5 = Exhaust

	Symbol	Control	Return	Flow rate (Nl/min)	Pressure bar	Times (ms)		Weight Kg	Part no.
						En.	De-en.		
5/2		pneumatic amplified	pneumatic amplified	770	0,7÷10	5	5	0,103	G-6233
5/3 c.c.		pneumatic amplified	pneumatic amplified	700	1,9÷9	6	19	0,192	G-6333
5/3 o.c.		pneumatic amplified	pneumatic amplified	700	2,0÷9	6	19	0,192	G-6433
5/3 p.c.		pneumatic amplified	pneumatic amplified	700	1,9÷9	6	19	0,192	G-6533
3/2 NC + 3/2 NC		pneumatic amplified	pneumatic amplified	670	1,5÷9	3	14	0,188	G-6633
3/2 NC + 3/2 NO		pneumatic amplified	pneumatic amplified	670	1,5÷9	3	14	0,188	G-6733
3/2 NO + 3/2 NO		pneumatic amplified	pneumatic amplified	670	1,5÷9	3	14	0,188	G-6833

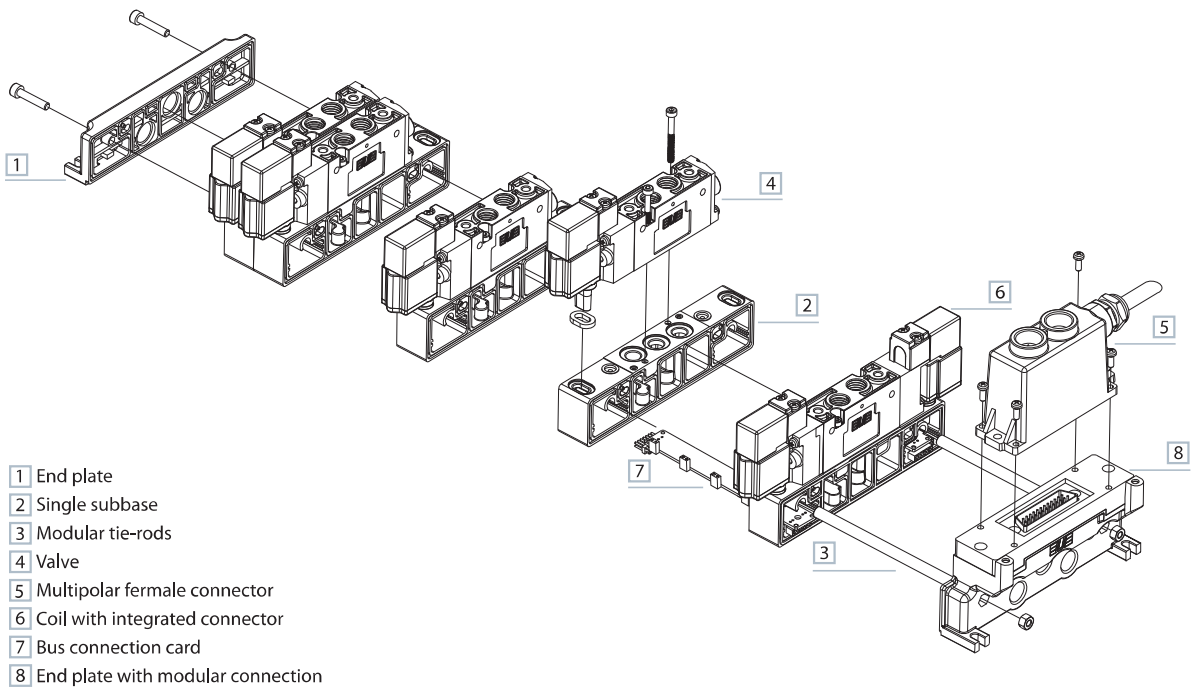
o.c. = open centres    c.c. = closed centres    p.c. = pressurized centres

Multipolar electrical connection



A Manual override

1 = Supply port  
5/3 - 3/5 = Exhaust G1/4  
82/84 - 84/82 = Electropilot exhaust G1/8  
N = Number of valve positions

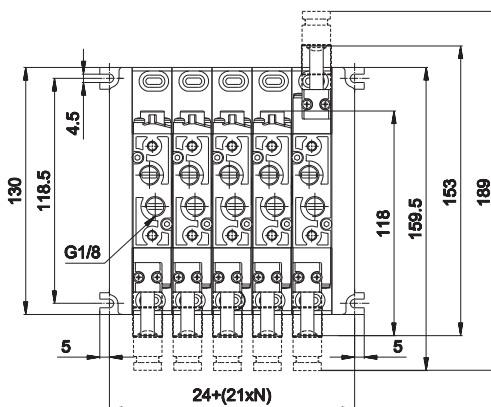
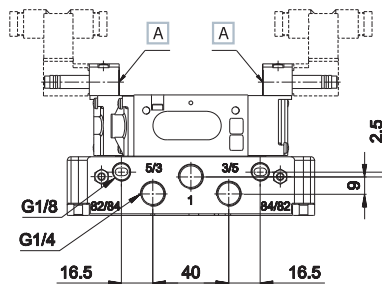
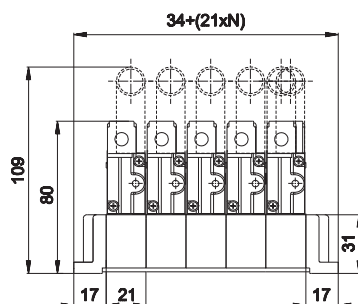


- 1 End plate
- 2 Single subbase
- 3 Modular tie-rods
- 4 Valve
- 5 Multipolar female connector
- 6 Coil with integrated connector
- 7 Bus connection card
- 8 End plate with modular connection

Tightening torque for fittings

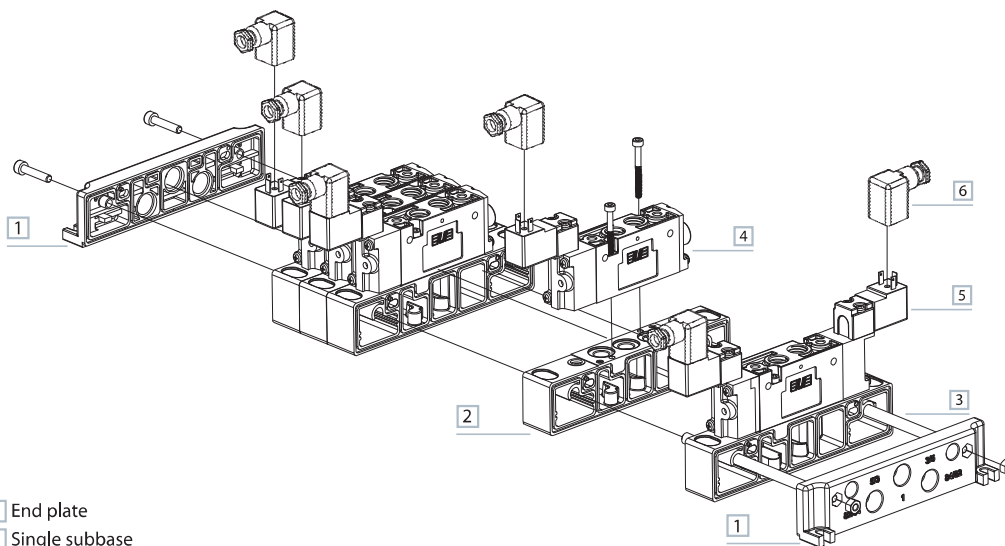
Thread	max pair (Nm)
M5	3
M7	3
G1/8	3
G1/4	10

Electrical connection with external connector



A Manual override

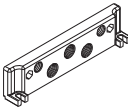
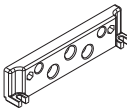
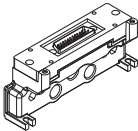
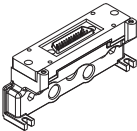
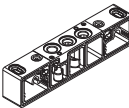
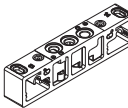
1 = Supply port  
 5/3 - 3/5 = Exhaust G1/4  
 82/84 - 84/82 = Electropilot exhaust G1/8  
 N = Number of valve positions

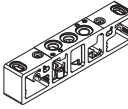
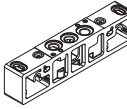
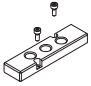
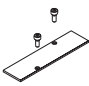




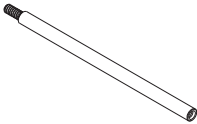
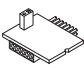
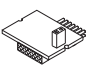
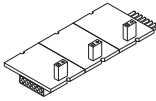
- 1 End plate
- 2 Single subbase
- 3 Modular tie-rods
- 4 Valve
- 5 Coil
- 6 Single connector

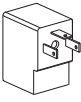
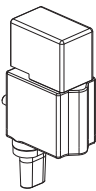
Tightening torque for fittings

Thread	max pair (Nm)
M5	3
M7	3
G1/8	3
G1/4	10

GP-6100	GP-6110	GP-611212	GP-611806	GP-6310/1/2	GP-6320/1/2
					
threaded end plate weight: 0,046 Kg	blank end plate weight: 0,050 Kg	threaded end plate with male connector 25 poles 12+12 coils control 12-14 weight: 0,100 Kg	threaded end plate with male connector 25 poles 18 coils control 14 6 coils control 12 (only for control 14 more than 12 coils max 18) weight: 0,102 Kg	sub-base with open diaphragms GP-6310 without electrical connection GP-6311 monostable GP-6312 bistable weight: 0,060 Kg	sub-base with closed diaphragms GP-6320 without electrical connection GP-6321 monostable GP-6322 bistable weight: 0,062 Kg

GP-6330/1/2	GP-6340/1/2	GP-6380	GP-6385
			
3 1 5 sub-base with closed supply and open exhausts GP-6330 without electrical connection GP-6331 mostable GP-6332 bistable weight: 0,062 Kg	3 1 5 sub-base with open supply and closed exhausts GP-6340 without electrical connection GP-6341 mostable GP-6342 bistable weight: 0,062 Kg	intermediate supply plate (to be used only with GP-63... series) sub-base weight: 0,036 Kg	closing plate for unused station weight: 0,018 Kg

GP-6400-1	GP-6400-2	GP-6400-5	GP-6512-01/..MF	GP-6514-01/..MF	GP-651418
					
modular tie-rod 1 valve place weight: 0,004 Kg (package 100 pcs.)	modular tie-rod 2 valve places weight: 0,010 Kg (package 100 pcs.)	modular tie-rod 5 valve places weight: 0,022 Kg (package 100 pcs.)	BUS connection card control side 12 with 12 pin GP-6512-01MF 1 place GP-6512-02MF 2 places GP-6512-03MF 3 places GP-6512-05MF 5 places GP-6512-06MF 6 places weight: 0,003 Kg (for each place)	BUS connection card control side 14 with 12 pin GP-6514-01MF 1 place GP-6514-02MF 2 places GP-6514-03MF 3 places GP-6514-05MF 5 places GP-6514-06MF 6 places weight: 0,003 Kg (for each place)	BUS connection card control side 14 with 18 pin (only 12 places) for manifolds with control 14 and more than 12 coils up to 18 coils use GP-651418 card 12 places and then GP-6514-... weight: 0,003 Kg (for each place)
AZ4-VN0416 screw M04x16 for tie-rods (package 100 pcs.) AZ4-SN004A hexagonal nut M4 (package 100 pcs.)			upon request customized solutions up to 12 places		

DD-051	DD-051**C
	
24 V CC 2 W coil for single connection weight: 0,019 Kg	24 V CC 2 W coil with integrated connector for multipolar version weight: 0,028 Kg