



The importance of electronics in industrial automation challenges the manufacturers of pneumatic equipment to design components that can be interfaced with this automation more and more easily. This tendency has found Univer perfectly prepared with the presentation of Compa 2 and Compa 4 series which confirm its usual dynamism, original projects and utmost attention to the current marked demands.

### TECHNICAL CHARACTERISTICS

#### COMPA 2 - E... series

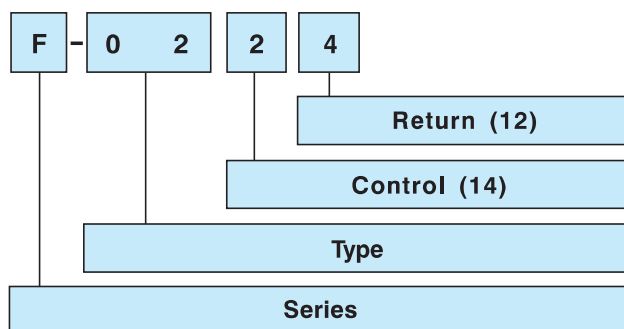
Orifice: 2 mm  
 Working pressure: 1,5 ÷ 10 bar  
 Ambient temperature: -10 + 45°C  
 Fluid temperature: -20 + 50°C  
 Flow capacity: NI/min 150\*  
 Fluid: filtered air 10 µm, not dehumidified  
 Body: die-cast zamak  
 M5 threaded connections or for assembly on bases (or vice-versa)  
 Modular bases with quick connections (4 x 2) or M5 threaded connections.  
 Coil type: **U05** part number DD-... (see section Accessories page 11).

#### COMPA 4 - F... series

Orifice: 4 mm  
 Working pressure: 1,5 ÷ 10 bar  
 Ambient temperature: -10 + 45°C  
 Fluid temperature: -20 + 50°C  
 Flow capacity: NI/min 390\*  
 Fluid: filtered air 10 µm, not dehumidified  
 Body: acetalic resin. Covers die-cast zamak  
 Single or manifold bases, available with quick couplings (6 x 4) or with threaded connections G 1/8  
 Advisable for cylinders Ø 25 to 63 mm.  
 Coil type: **U05** part number DD-... (see section Accessories page 11).

\* An indicative estimate of the factor "CV" can be obtained by dividing the capacity values expressed in NI/min by "962".

#### Codification key



#### SERIES

**E** COMPA 2      **F** COMPA 4

#### TYPE

- 02** assembly on base - spool system 5/2
- 04** M5 threaded body - spool system 5/2\*\*
- 05** assembly on base - spool system 5/3 closed centres
- 06** assembly on base - spool system 5/3 open centres
- 07** assembly on base - spool system 5/3 pressurized centres
- 08** M5 threaded body - spool system 5/3 closed centres\*\*
- 09** M5 threaded body - spool system 5/3 open centres\*\*
- 10** M5 threaded body - spool system 5/3 pressurized centres\*\*

#### OPERATION

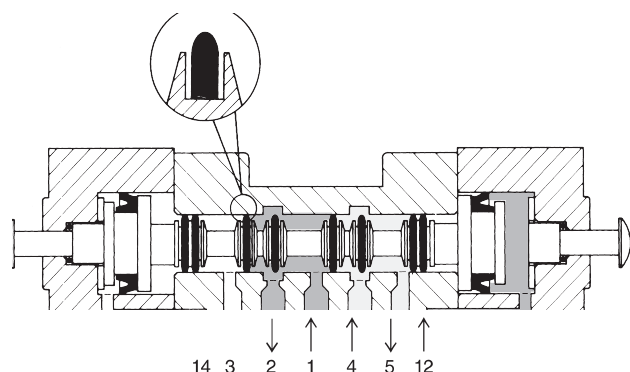
- 0** pneumatic spring
- 1** mechanical spring\*\*\*
- 2** electric (d.c. only)
- 3** differential electrical (d.c.)
- 4** pneumatic pulse
- 5** differential pneumatic pulse
- 6** electrical with external pilot input (d.c. only)
- 7** electrical (d.c. and a.c.)
- 8** electrical differential (d.c. and a.c.)
- 9** electrical with external pilot input (d.c. and a.c.)

**NOTE:** 2÷9 for control 14

0÷9 for control 12

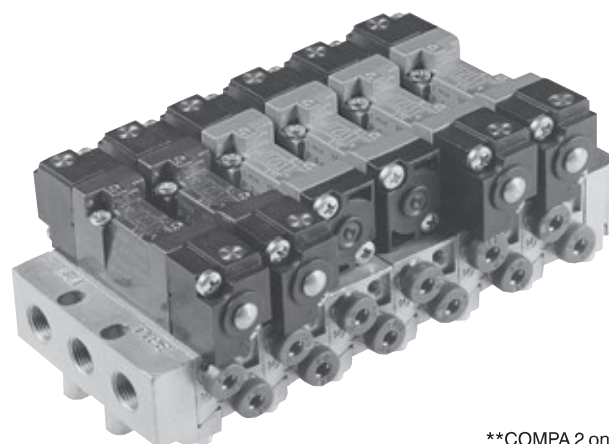
#### Spool system

- 1 = Supply
- 2-4 = Consumptions
- 3-5 = Exhausts
- 14 = Control
- 12 = Return



#### NOTE: to order solenoid operated valves

**Code in black:** for d.c. version  
**Code in blue:** for a.c. version



\*\*COMPA 2 only  
 \*\*\*5/2 spool system for base only



Type	Symbol	Control (14)	Return (12)	Version	Ways Ø mm	Pressure bar	Capacity Nl/min	Time ms energ. (14) de-energ. (12)		Mass kg	Part number
		Pneum. pilot amplified	Pneu-mech. spring	Threaded body	5/2	1,8 ÷ 10	150	5	8	0,07	E-0440
				For mounting on base	2	1,8 ÷ 10		5	8		E-0240
				For mounting on base	5/2 4	2,2 ÷ 10	390	12	20	0,12	F-0240
		Pneum.	Pneum.	Threaded body	5/2	1,5 ÷ 10	150	3	3	0,07	E-0444
				For mounting on base	2	1,5 ÷ 10		3	3		E-0244
				For mounting on base	5/2 4	1,5 ÷ 10 2,5 ÷ 10	390	6	6	0,13	F-0244
		Pneumatic pilot Closed centres		For mounting on base	5/3	2,5 ÷ 10	390	17	36	0,13	F-0544
		Pneumatic pilot Open centres		For mounting on base		2,5 ÷ 10		17	36		F-0644
		Pneumatic pilot Pressurized centres		For mounting on base		4		1,8 ÷ 10	390		17
		Electric	Pneu-mech. spring	Threaded body	5/2	1,8 ÷ 10	150	11	11	0,08	E-0420 E-0470
				For mounting on base	2	2,2 ÷ 10		11	11		E-0220 E-0270
				For mounting on base	5/2 4	1,5 ÷ 10	390	16	26	0,13	F-0220 F-0270
		Electric	Electric	Threaded body	5/2	1,5 ÷ 10	150	10	10	0,11	E-0422 E-0477
				For mounting on base	2	1,5 ÷ 10		10	10		E-0222 E-0277
				For mounting on base	5/2 4		390	8	8	0,15	F-0222 F-0277

The part numbers of valves do not include coils



Type	Symbol	Control (14)	Return (12)	Version	Ways Ø mm	Pressure bar	Capacity Nl/min	Time ms energ. (14)	Time ms de-energ. (12)	Mass kg	Part number	
				Threaded body	5/3	2,5 ÷ 10	150	8	9	0,12	E-0822	
				For mounting on base	2	2,5 ÷ 10					E-0522	
				For mounting on base	5/3 4	2,5 ÷ 10					F-0522 F-0577	
					Threaded body	5/3	2,5 ÷ 10	150	8	9	0,12	E-0922
					For mounting on base	2	2,5 ÷ 10					E-0622
					For mounting on base	5/3 4	2,5 ÷ 10					F-0622 F-0677
					Threaded body	5/3	2,5 ÷ 10	150	8	9	0,12	E-1022
					For mounting on base	2	2,5 ÷ 10					E-0722
					For mounting on base	5/3 4	2,5 ÷ 10					F-0722 F-0777

**Valves with mechanical or manual actuation**

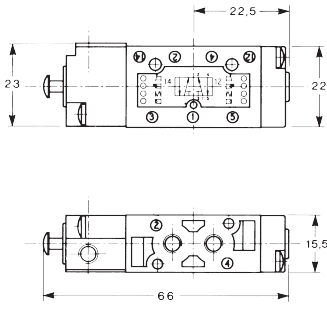
Type	Symbol	Control (14)	Return (12)	Version	Ways Ø mm	Pressure bar	Capacity Nl/min	Mass kg	Part number	
		Tappet	mech. spring	Threaded body	5/2 2	0 ÷ 10	150	0,07	E-15402A	
		Tappet for operation AI-35..	mech. spring	Threaded body	5/2 2	0 ÷ 10	150	0,07	E-15403A	
		Tappet for operation AI-35..Q for panel mounting	mech. spring	Threaded body	5/2	0 ÷ 10	150	0,08	E-15412A	
			Pneum.		2	1,5 ÷ 10		0,09	E-15412P	
		Lever	Lever	Threaded body	5/2	0 ÷ 10	150	0,09	Lever colour	Part number
					2				Yellow	E-15422G
									Black	E-15422N
									Red	E-15422R
									Green	E-15422V

With regard to panel mounted mechanical/manual operators, please refer to section Accessories.

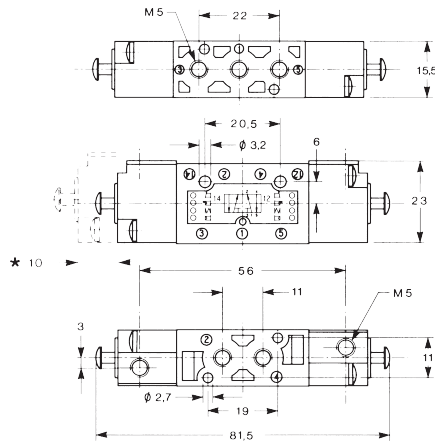
The part numbers of valves do not include coils



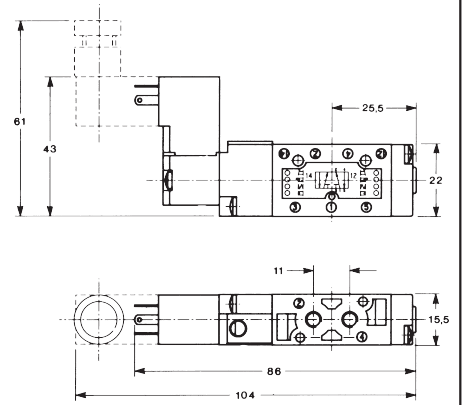
**5/2 valve - Single pneumatic control (threaded body)**



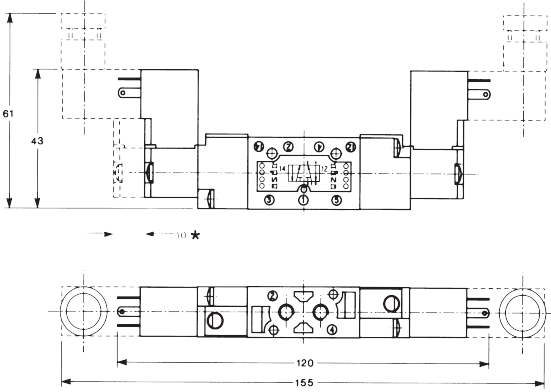
**5/2 5/3 valve - Double pneumatic control (threaded body)**



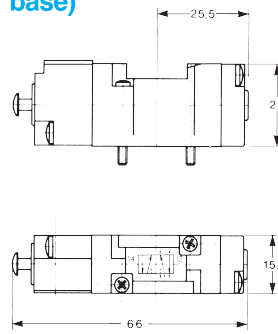
**5/2 valve - Single electric control (threaded body)**



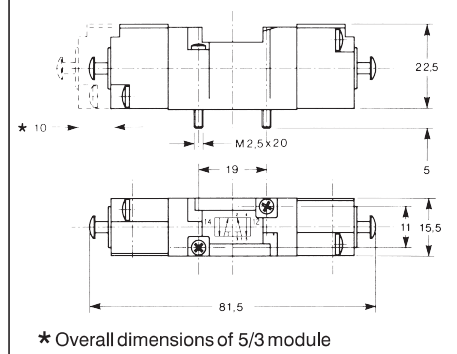
**5/2 5/3 valve - Double electric control (threaded body)**



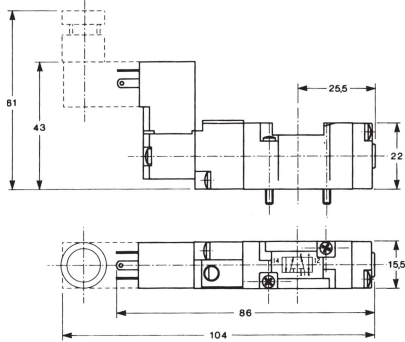
**5/2 valve - Single pneumatic control (mounting on sub-base)**



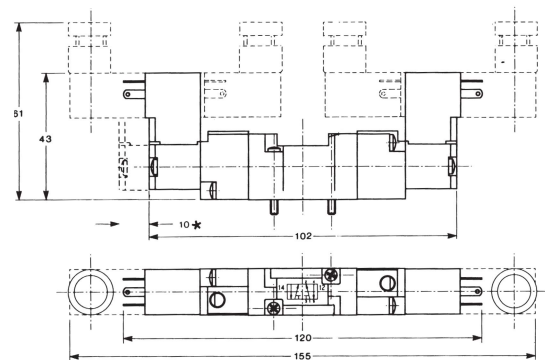
**5/2 5/3 valve - Double pneumatic control (mounting on sub-base)**



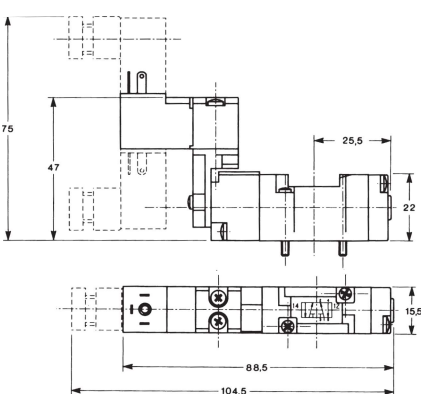
**5/2 valve - Single electric control (mounting on sub-base)**



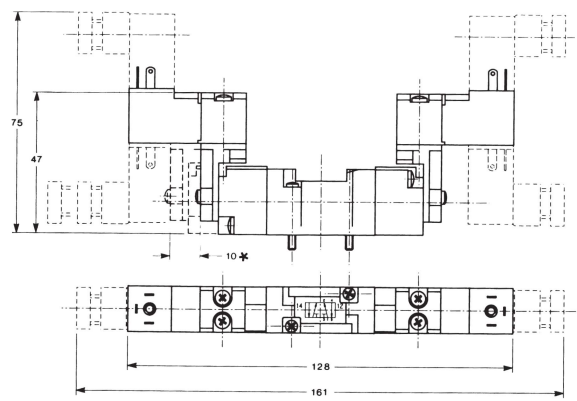
**5/2 5/3 valve - Double electric control (mounting on sub-base)**



**5/2 valve - Single electric control with bracket (mounting on sub-base)**

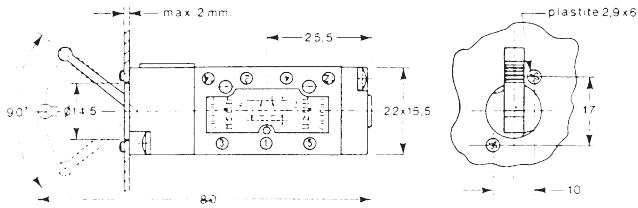


**5/2 5/3 valve - Double electric control with bracket (mounting on sub-base)**

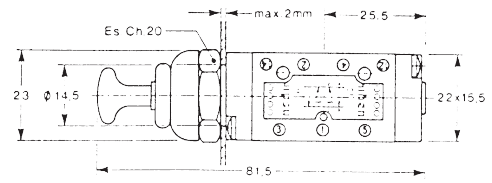


\* Overall dimensions of 5/3 module

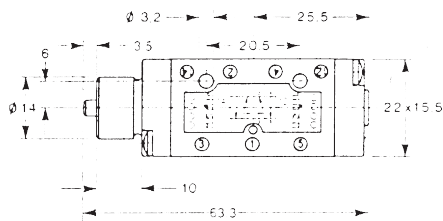
5/2 valve - lever (threaded body)



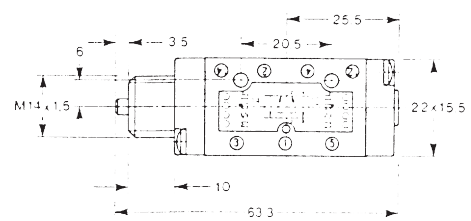
5/2 valve - push pull (threaded body)



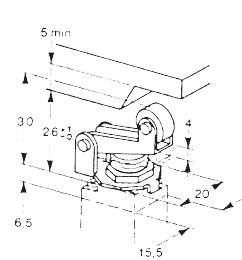
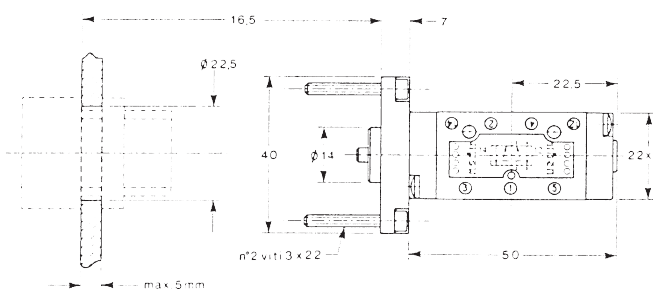
5/2 valve - mechanical operation (threaded body)



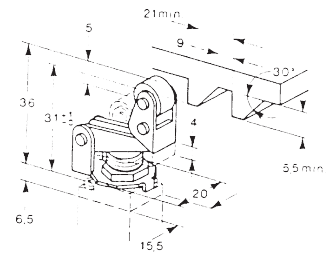
5/2 valve - screw mechanical operation (threaded body)



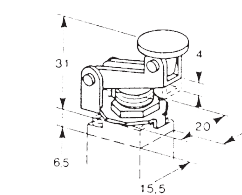
5/2 valve - panel mechanical operation (threaded body)



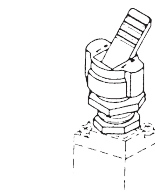
AI-3570




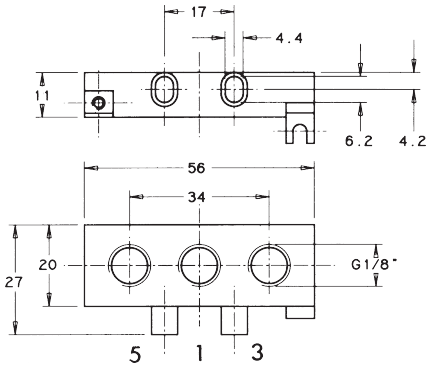

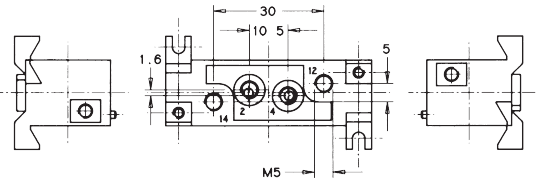

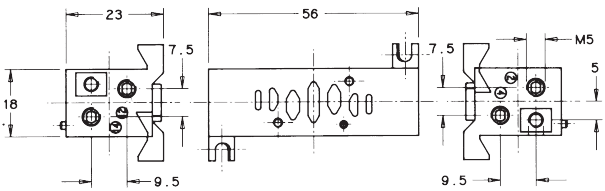
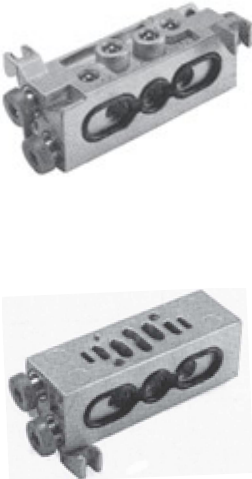
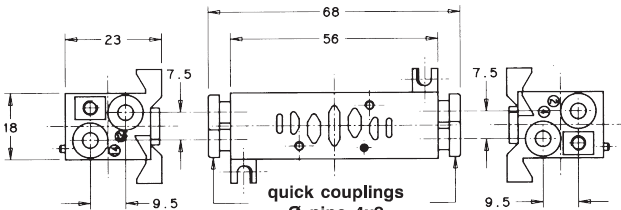
AI-3571



AI-3572

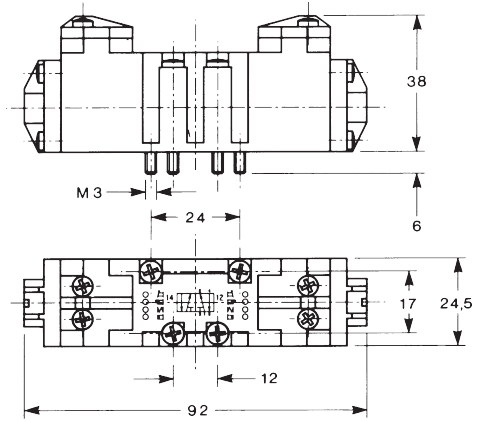


nero AI-3540

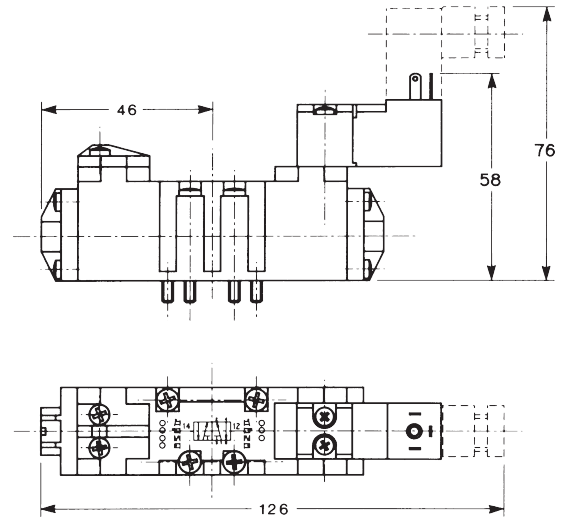
Type	Overall dimensions	Material	Mass kg	Part number
<p><b>G 1/8 inlet plate</b></p> 	 <p>1 = Supply 3-5 = Exhausts 2-4 = Consumptions</p>	zamak	0,055	<b>E-4500</b>
<p><b>Manifold sub-base with dorsal outlets M5</b></p> 	 <p>2-4 = Consumptions 14 = Control 12 = Return</p>	zamak	0,095	<b>E-4515</b>
<p><b>Manifold sub-base with side outlets M5</b></p> 	 <p>2-4 = Consumptions 14 = Control 12 = Return</p>	zamak	0,095	<b>E-4505</b>
<p><b>Manifold sub-base with quick side couplings Ø 4x2</b></p> 	 <p>2-4 = Consumptions 14 = Control 12 = Return</p>	zamak	0,100 0,094	<b>E-4510</b> (pneumatic) <b>E-4511</b> (electric)



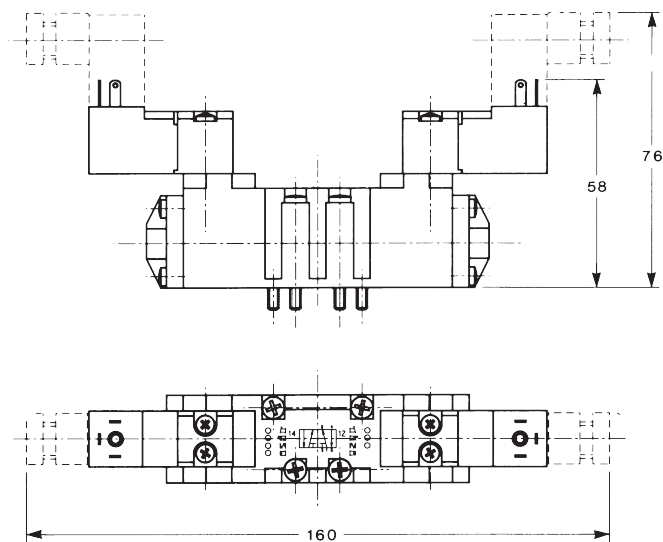
5/2 - 5/3 valves - single or double pneumatic control



5/2 valves for sub-base mounting - single electric control



5/2 - 5/3 valves for sub-base mounting - double electric control



Type	Overall dimensions	Material	Mass kg	Part number
<b>G 1/8 inlet plate</b>	<p>1 = Supply 3-5 = Exhausts 2-4 = Consumptions</p>	Aluminium	0,050	<b>F-4500</b>
<b>Manifold sub-base with threaded connections G 1/8</b>	<p>2-4 = Consumptions 14 = Control 12 = Return</p>	Aluminium	0,062	<b>F-4505</b>
<b>Manifold sub-base with quick side connections Ø 6x4</b>	<p>2-4 = Consumptions 14 = Control 12 = Return</p>	Aluminium	0,065	<b>F-4510</b> (pneumatic) <b>F-4511</b> (electric)
<b>Single sub-base with threaded connections G 1/8</b>	<p>2-4 = Consumptions 3-5 = Exhausts 14 = Control 12 = Return</p>	Aluminium	0,047	<b>F-4519</b>
<b>Single sub-base with quick connections Ø 6x4* - Ø42**</b>	<p>2-4 = Consumptions 3-5 = Exhausts 14 = Control 12 = Return</p>	Aluminium	0,057	<b>F-4520</b> (pneumatic) <b>F-4521</b> (electric)