

# E-15

## 5/2 M5 valves - mechanical and manual actuation

- Compact design: 15 mm body
- Original Univer spool system appreciated for decades
- Wide range of actuators and manual operators for panels - original Univer



### TECHNICAL CHARACTERISTICS

Ambient temperature	-10 ÷ +45 °C
Fluid temperature	-20 ÷ +50 °C
Fluid	not dehumidified filtered air 10 µm, lubricated or not
Commutation system	spool
Ways/Positions	<b>5/2</b>
Pressure	max 9 bar
Control	manual, mechanical
Return	mechanical spring
Nominal Ø	2 mm
Nominal flow rate	150 Nl/min

### CONSTRUCTIVE CHARACTERISTICS

Valve body	zamak
Seals	nitrile rubber
Actuators	technopolymer
Spool	aluminium

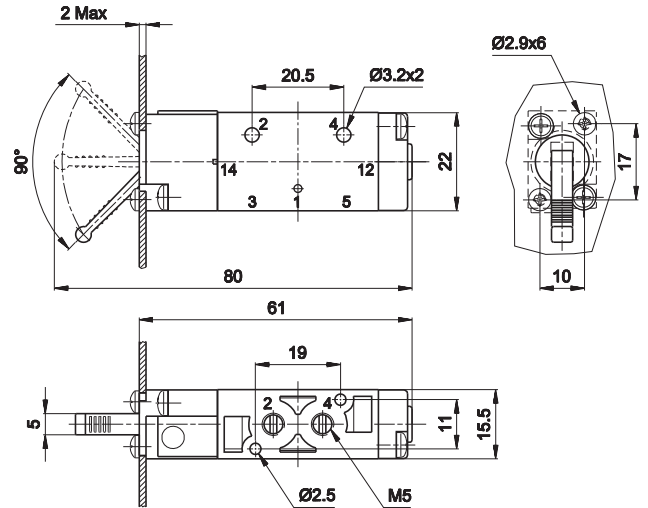
Lever valve



- 1 = Supply port
- 2 - 4 = Use
- 3 - 5 = Exhaust
- 14 = Control
- 12 = Return

Weight: 0,068

Symbol	Control	Return	Lever colour	Part no.
	lever	lever	yellow	E-15422G
			black	E-15422N
			red	E-15422R



Push-pull valve

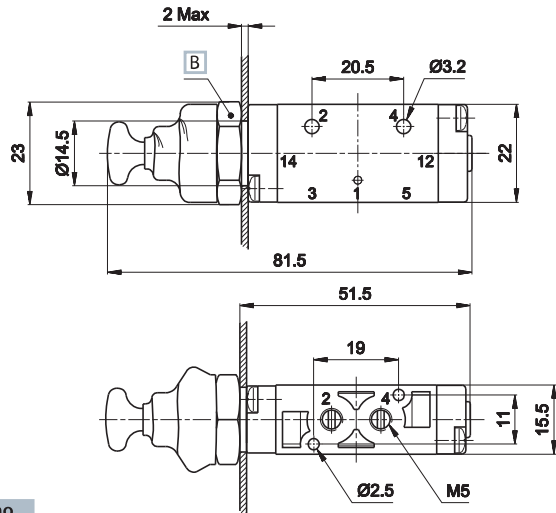


**B** Wrench 20

- 1 = Supply port
- 2 - 4 = Use
- 3 - 5 = Exhaust
- 14 = Control
- 12 = Return

Weight: 0,082

Symbol	Control	Return	Lever colour	Part no.
	push-pull	push-pull	black	E-15420
		push-pull	mechanical spring	black



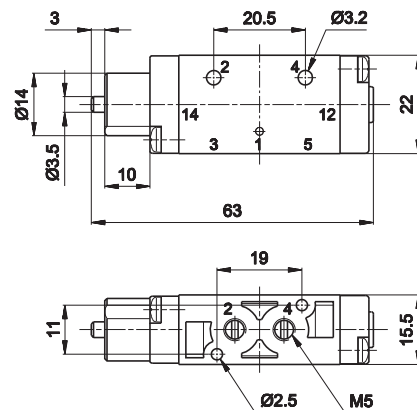
Tappet valve



- 1 = Supply port
- 2 - 4 = Use
- 3 - 5 = Exhaust
- 14 = Control
- 12 = Return

Weight: 0,066

Symbol	Control	Return	Part no.
	ball-push	mechanical spring	E-15402A



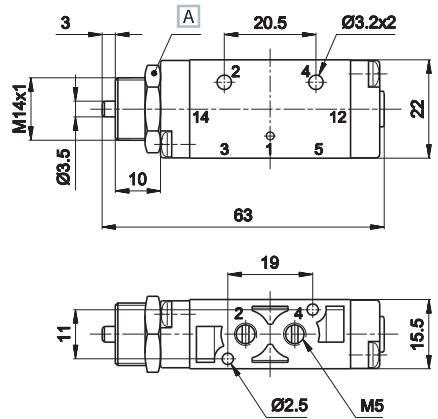
Ball-pushrod valve for mechanical screw operator



A Wrench 17

- 1 = Supply port
- 2 - 4 = Use
- 3 - 5 = Exhaust
- 14 = Control
- 12 = Return

Weight: 0,066



Symbol	Control	Return	Part no.
	ball-pushrod	mechanical spring	E-15403A

5/2

PNEUMATIC AND MECHANICAL ACTUATORS			MANUAL ACTUATORS		
	Pneumatic actuator	AI-3550 [Symbol]		Recessed button	<ul style="list-style-type: none"> <li>■ BLACK AI-3511</li> <li>■ RED AI-3512</li> <li>■ GREEN AI-3513</li> </ul>
	Amplified pneumatic actuator	AI-3551 [Symbol]		Head button	<ul style="list-style-type: none"> <li>■ RED AI-3514</li> <li>■ BLACK AI-3516</li> <li>■ RED AI-3514D</li> <li>■ BLACK AI-3516D</li> </ul>
	Roller operator 1 position	AI-3560 [Symbol]		Button	<ul style="list-style-type: none"> <li>■ GREEN AI-3515</li> <li>■ RED AI-3517</li> <li>■ BLACK AI-3519</li> </ul>
	Ball-push operator 1 position	AI-3562 [Symbol]		Rotating selector	<ul style="list-style-type: none"> <li>■ BLACK AI-3520</li> <li>■ BLACK AI-3521</li> </ul>
	Omni-directional operator	AI-3563 [Symbol]		Rotating lever selector	<ul style="list-style-type: none"> <li>■ BLACK AI-3522</li> <li>■ BLACK AI-3523</li> </ul>
	Roller lever operator 1 position	AI-3570 [Symbol]		Lever	<ul style="list-style-type: none"> <li>■ BLACK AI-3524</li> </ul>
	Articulated roller lever operator 1 position Complete actuation with stroke 2,5 mm max stroke 4,7 mm	AI-3571 [Symbol]		Omni-directional operator	<ul style="list-style-type: none"> <li>■ BLACK AI-3525</li> </ul>
	Key operator 1 position	AI-3572 [Symbol]		Push-pull operator	<ul style="list-style-type: none"> <li>■ BLACK AI-3526</li> </ul>

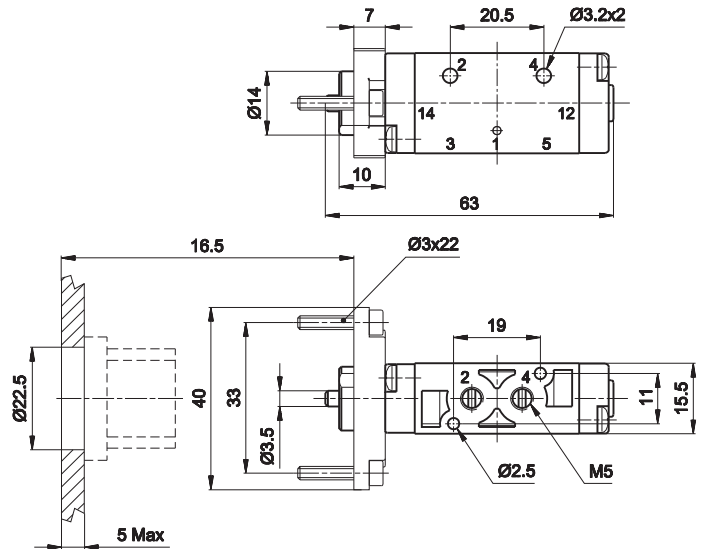
For technical features of coils and connector, see section "Accessories>Buttons"

Valve for mechanical operator for panel mounting



- 1 = Supply port
- 2 - 4 = Use
- 3 - 5 = Exhaust
- 14 = Control
- 12 = Return

Weight: 0,082



Symbol	Control	Return	Part no.
5/2	ball-push	mechanical spring	E-15412A

MANUAL ACTUATORS

	Recessed button	<ul style="list-style-type: none"> <li>■ BLACK AI-3511</li> <li>■ RED AI-3512</li> <li>■ GREEN AI-3513</li> </ul>	
	Head button	<ul style="list-style-type: none"> <li>■ RED AI-3514</li> <li>■ BLACK AI-3516</li> <li>■ RED AI-3514D</li> <li>■ BLACK AI-3516D</li> </ul>	
	Button	<ul style="list-style-type: none"> <li>■ GREEN AI-3515</li> <li>■ RED AI-3517</li> <li>■ BLACK AI-3519</li> </ul>	
	Rotating selector	<ul style="list-style-type: none"> <li>■ BLACK AI-3520</li> <li>■ BLACK AI-3521</li> </ul>	
	Rotating lever selector	<ul style="list-style-type: none"> <li>■ BLACK AI-3522</li> <li>■ BLACK AI-3523</li> </ul>	
	Lever	<ul style="list-style-type: none"> <li>■ BLACK AI-3524</li> </ul>	
	Omni-directional operator	<ul style="list-style-type: none"> <li>■ BLACK AI-3525</li> </ul>	
	Push-pull operator	<ul style="list-style-type: none"> <li>■ BLACK AI-3526</li> </ul>	

For technical features of coils and connector, see section "Accessories>Buttons"