

B10

10 mm nanovalves ISO 15218

- Low input standard: 0,3 W
- High flow-rate: 30 NI/min
- Quick response time: 3 ms
- ISO 15218 interface
- 3/2 NC version
- Led standard

Upon request:

- Bistable version
- 0,1 W version
- 50 NI/min flow rate version



TECHNICAL CHARACTERISTICS

Ambient temperature	-5 ÷ +50 °C
Fluid temperature	max +50 °C
Fluid	10 µm filtered air, lubricated or not
Ways/Positions	3/2 NC (monostable) 3/2 NC-NO (bistable)
Pressure	max 8 bar
Control	electric
Return	mechanical spring
Operating frequency	5 Hz
Assembly	no. 2 screws M1,6
Connections	ISO 15218 interface
Nominal Ø (mm)	1,3 mm
Nominal flow rate (NI/min)	30 (1→2) 32 (2→3)

CONSTRUCTIVE CHARACTERISTICS

Valve body	self-extinguishing technopolymer
Seals	NBR
Components	stainless steel - brass

ELECTRIC CHARACTERISTICS

Voltage	24 VDC (12V DC upon request)
Voltage tolerance	±10%
Power consumption	0,3W (pick-up 5,5 W - 25 ms)
Electrical connection	connector D535 U40 (IP65) welded pin (IP00)
LED	yellow (standard)
Manual override	monostable button

CODIFICATION KEY

B	1	0	4	0	1	L	2	4	D
1	2	3	4	5	6				

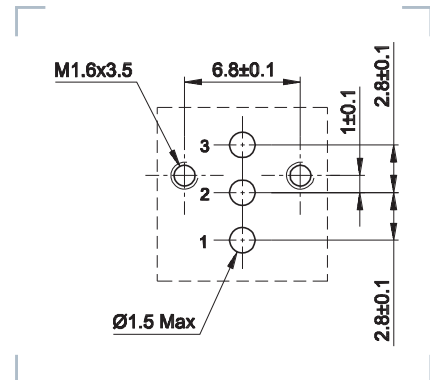
1 Series	2 Model	3 Type
B10 = 10 mm nanovalves ISO 15218	4 = monostable 5 = bistable (upon request)	0 = 3/2 NC Ø1,3 mm

4 Function	5 Variant	6 Voltage
1 = with manual, 90° connector 2 = without manual, 90° connector 3 = with manual, PIN on interface side 4 = without manual, PIN on interface side	L = protected PIN (a) P = unprotected PIN (suitable for electronic board mounting)	24D = 24 V DC 12D = 12 V DC (upon request)

(a) = version for connector

Fixing screws included. Tightening torque max 0,15 Nm.

Substructure (ISO 15218)



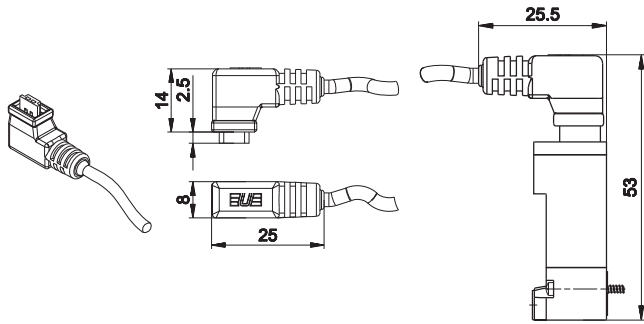
- 1 = Supply port
- 2 = Use
- 3 = Exhaust

90° Connector

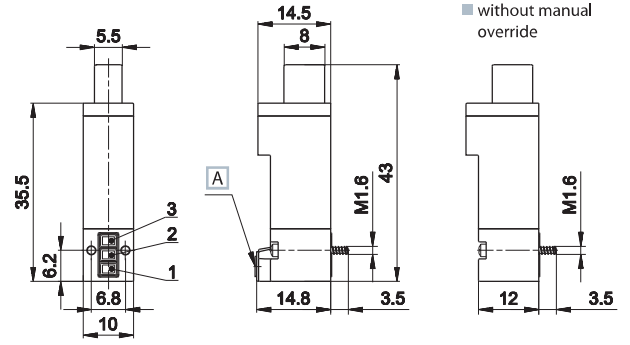


Symbol	Pressure bar	Ø mm	Times (ms)		Weight Kg	Part no.
			En.	De-en.		
	0÷7	1,3	3	3,5	0,0108	B10-401L24D (a)
	0÷7	1,3	3	3,5	0,0107	B10-402L24D (b)

D-535U40300/500



single connector with 3-5 m wire
 weight Kg: 0,05 D-535U40300 wire L = 300 mm
 0,07 D-535U40500 wire L = 500 mm



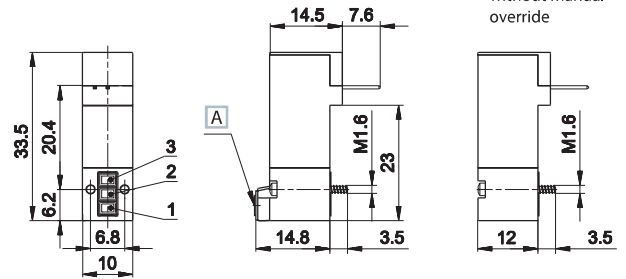
A Manual override

- 1 = Supply port
- 2 = Use
- 3 = Exhaust

In-line PIN



Symbol	Pressure bar	Ø mm	Times (ms)		Weight Kg	Part no.
			En.	De-en.		
	0÷7	1,3	3	3,5	0,0104	B10-403P24D (a)
	0÷7	1,3	3	3,5	0,0103	B10-404P24D (b)



A Manual override

- 1 = Supply port
- 2 = Use
- 3 = Exhaust

In-line PIN bistable (magnetic memory)



In this version the opening is carried out by a 25 ms impulse, while the closing is carried out by a similar impulse with inverted polarity.

For any further information please get in touch with our Sales Office.

(a) = with manual override (b) = without manual override