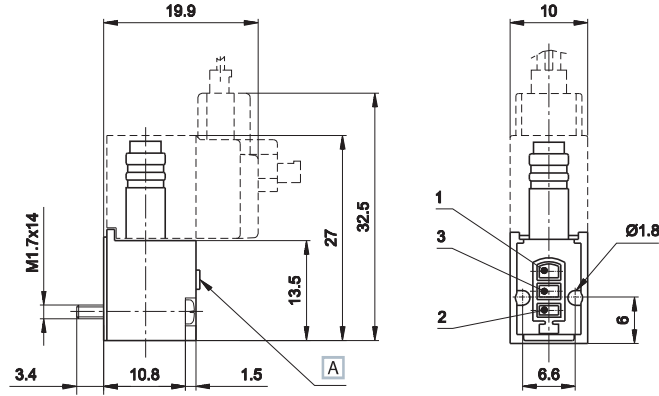


Valves with conveyed discharge

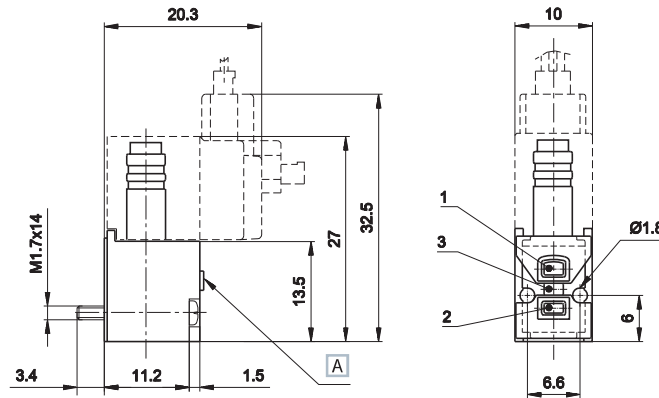


1 = Supply port
2 = Use
3 = Exhaust

A Manual override

Symbol	Nominal Ø	Flow rate NI/min.	Pressure bar	Times (ms)		Weight (b) Kg	Part no.
				En.	De-en.		
	0,5	1→2=9 2→3=12	1,5÷8(a)	9	10	0,007 (0,012)	B-101N
	0,5	3→2=9 2→1=10	0÷8	18	8	0,007 (0,012)	B-121N

Valves with discharge in the air



1 = Supply port
2 = Use
3 = Exhaust

A Manual override

Symbol	Nominal Ø	Flow rate NI/min.	Pressure bar	Times (ms)		Weight (b) Kg	Part no.
				En.	De-en.		
	0,6	1→2=12 2→3=15	1,5÷8(a)	9,5	9	0,007 (0,012)	B-102N

>> Coils



U04 with integrated upward 90° connector



U04 with in-line connector



U04 with loose wires (300 mm length)



U04 with in-line connector with protecting cover for complete tightness

(a) = upon request: 0 bar operation

(b) = the value in brackets indicates the mass with coil (0,015 Kg with 300 mm loose wires)

For technical features of coils and connector, see section "Accessories>Coils"
Nanovalves are supplied without coil and connector, to be ordered separately.