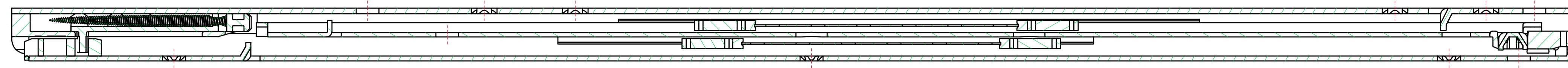
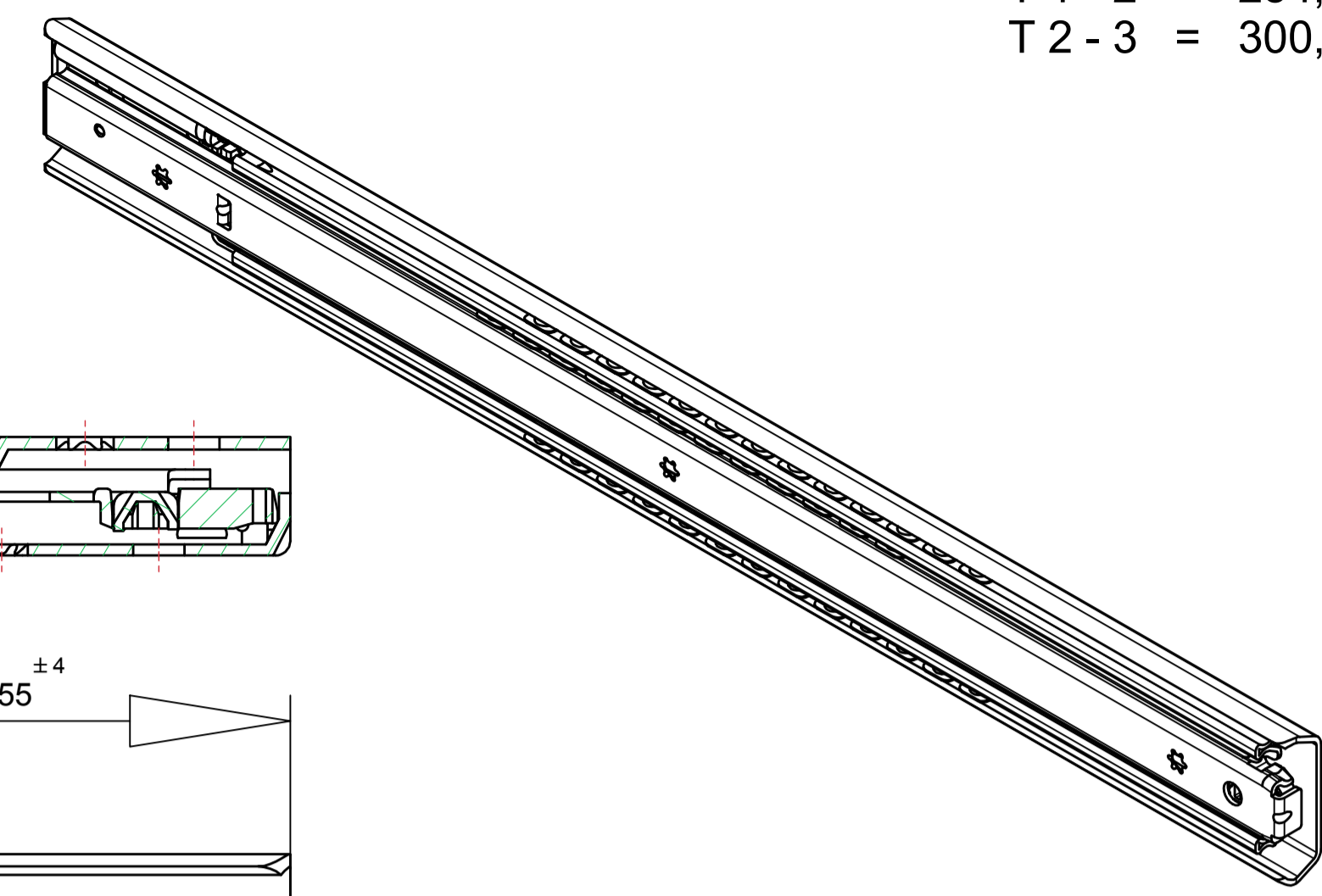


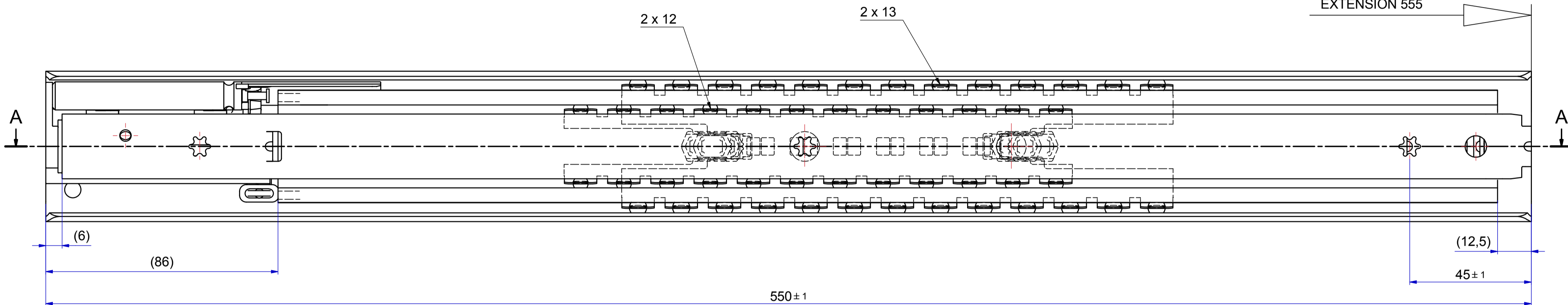
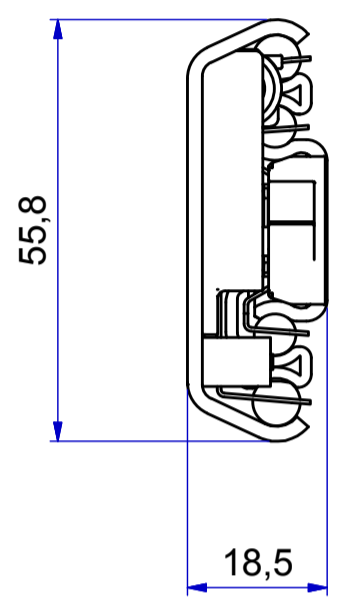
T 1 - 2 = 254,3 mm
T 2 - 3 = 300,8 mm



A-A (1:1)

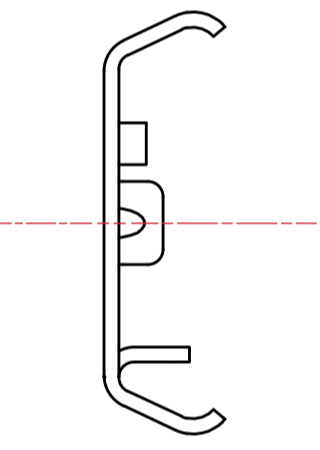


EXTENSION 555 ±4

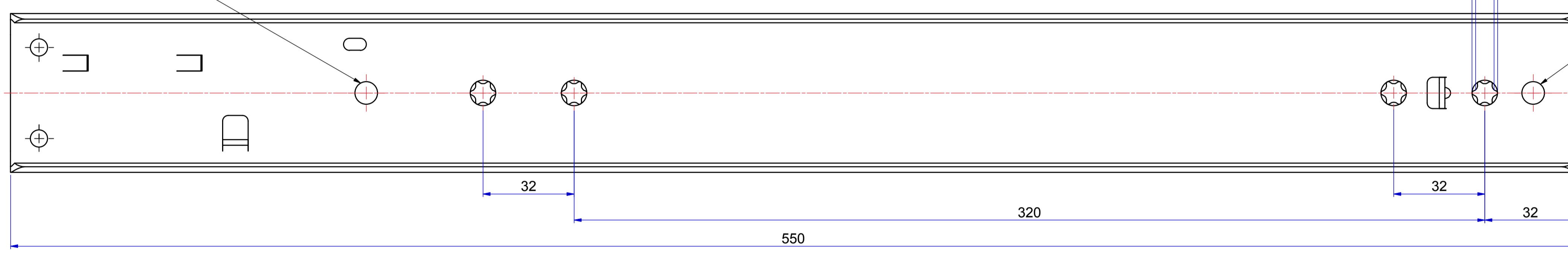


Do not use for customer application!

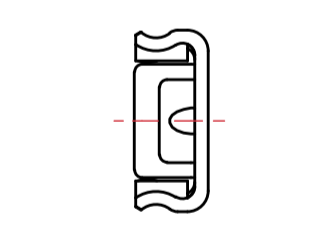
Do not use for customer application!



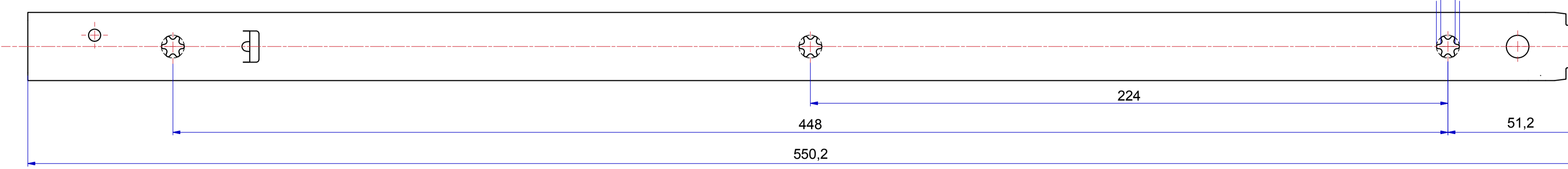
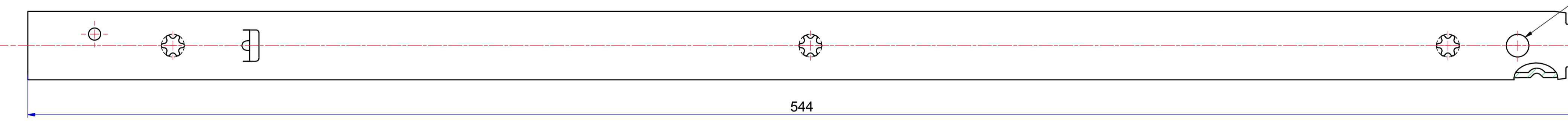
511-12-S86-HDB



Do not use for customer application!



513-12-S86-UB3



PRODUCTION

Right hand slide = Left hand slide.

Dimensions between marks are guide dimensions.

Thomas Regout Int. B.V. reserves the right to alter non-customer specific specifications without notice.

Designer M. Mahieu	Gen.Tol.Dim. ± 0,5	Third angle projection	Material
Date 12-10-2011	Gen.Tol.Angle ± 0,5		Treatment
Approver	Gen.Roughness Ra		Draw type Fabrication
Date	Units mm/deg.	Scale 1 : 1	Type
Description		Model No. E000017381	
ULF HD 550.0 / 555.0 (18,5mm)		Released for Production	
Format A1	THOMAS REGOUT INTERNATIONAL B.V.	Item No. 112-S86	Revision 01
© THOMAS REGOUT INTERNATIONAL BV, Industrieweg 40, 6219 NR, Maastricht, The Netherlands, +31 (0)43 351 66 66 All rights are reserved.			

1	23-1-2014	Loopwerk aangepast tbv. redesign softclose (zie point13002.doc)	M.Peeters
Re	Date	Description	Designer