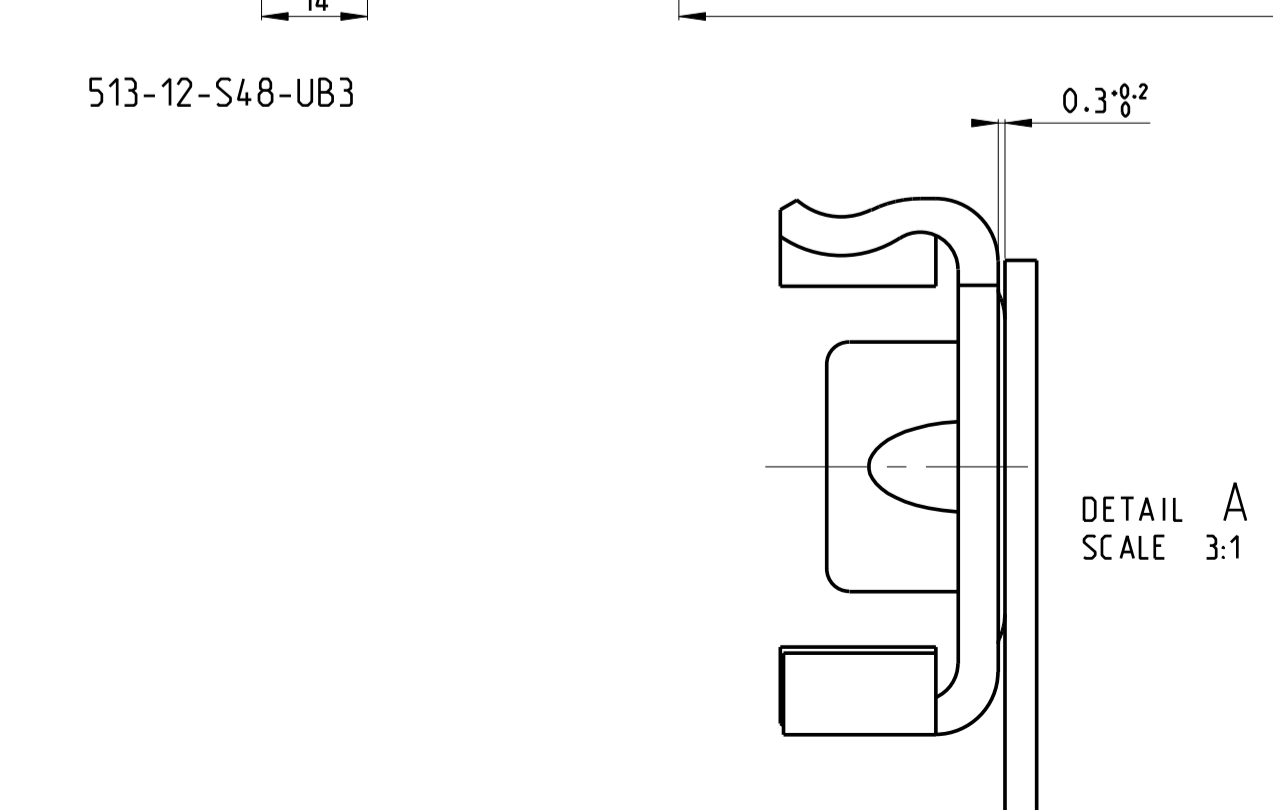
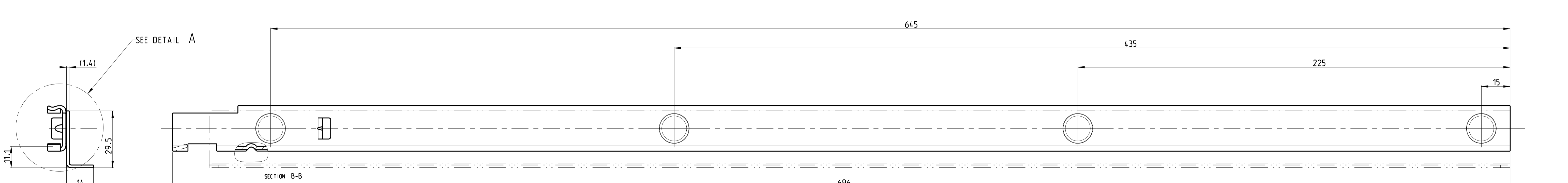
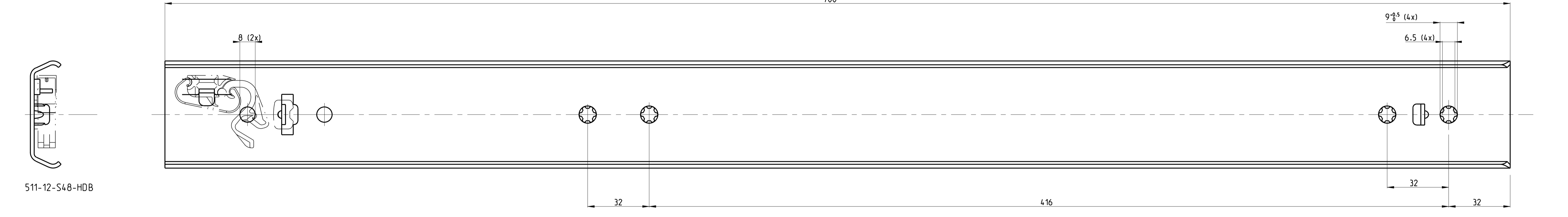
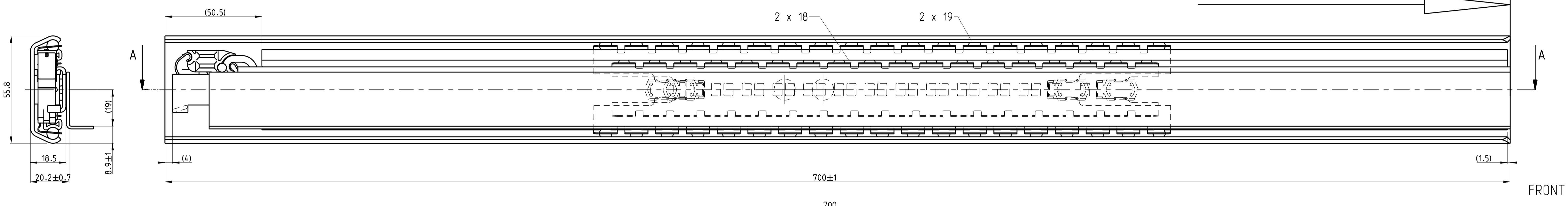
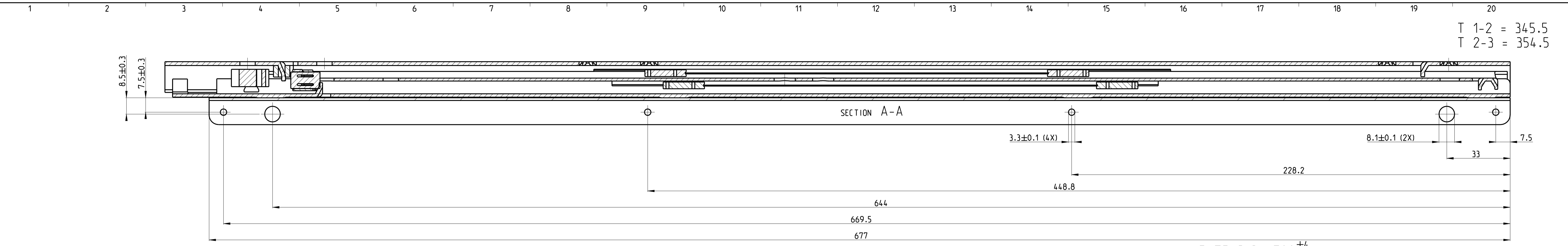


T 1-2 = 345.5
T 2-3 = 354.5



PRO/ENGINEER Drawing		Dimensions between marks are guide dimensions. Tolerances unless otherwise stated ±0.5mm.		Thomas Regout Int. B.V. reserves the right to alter non-customer specific specifications without notice.	
Was: - -					
American projection	DIMENSION	mm	MAT.: -		
	SCALE	1:1	REM.: RIGHT HAND SLIDE IS SHOWN PART		
	DATE	26-10-2011	LEFT HAND SLIDE IS OPPOSITE PART		
	DESIGNER	J. Schreurs	FAILSAFE: RIGHT HAND SLIDE IS LEFT HAND SLIDE		
CHECKED	-	TYPE E			
ULF HD 700,0 / 700,0 (18,5mm)					
THOMAS REGOUT INTERNATIONAL BV			Drw. Nr.	Format.	
			112-S48 _ 00	A1	
			Production		

04	-	-	05	-	-	-	-	06	-	-	-	-
01	-	-	02	-	-	-	-	03	-	-	-	-