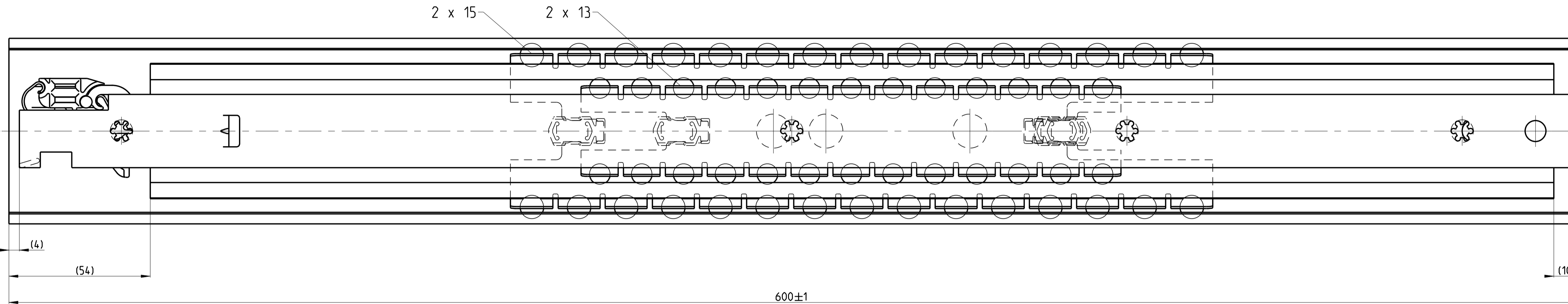
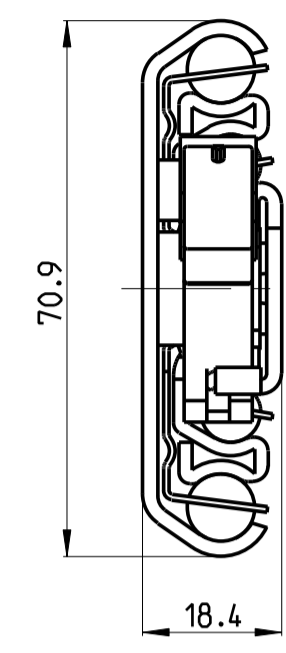


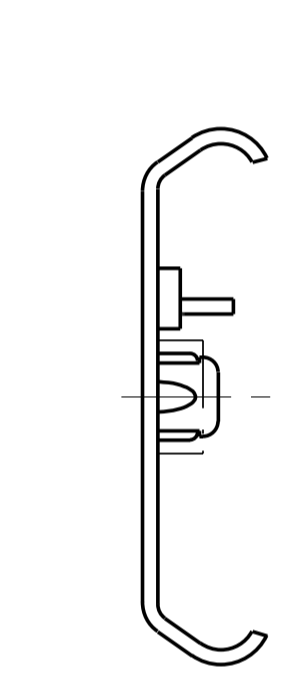
T 1-2 = 276.0
T 2-3 = 324.0

SECTION A-A

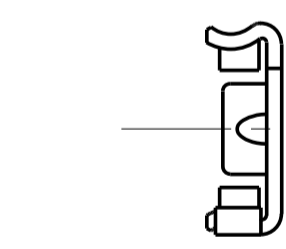
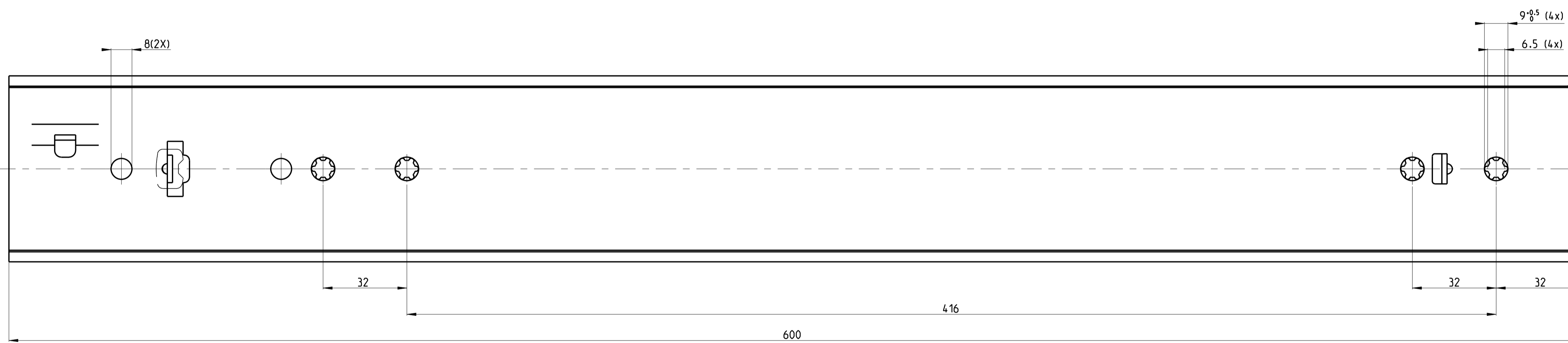
EXTENSION 600 ±4 mm



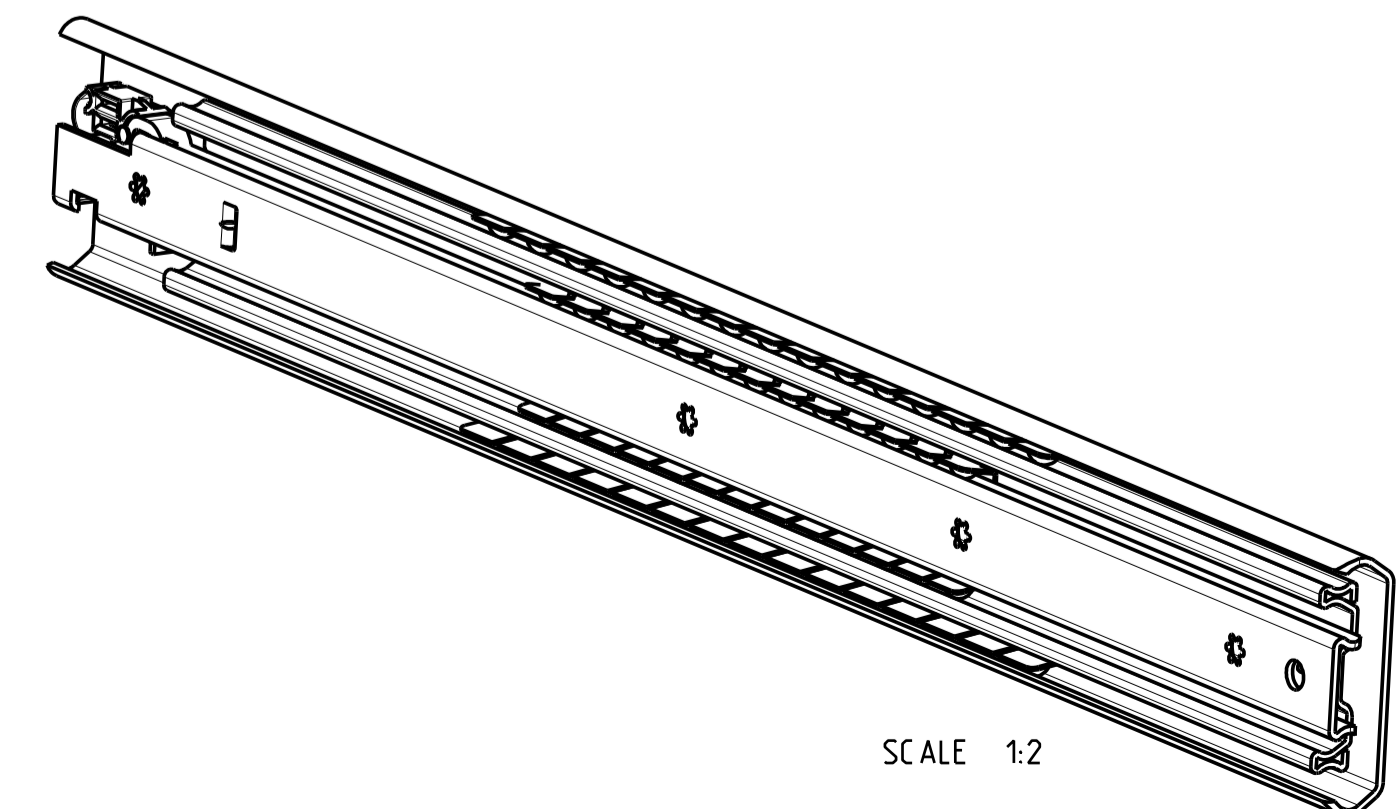
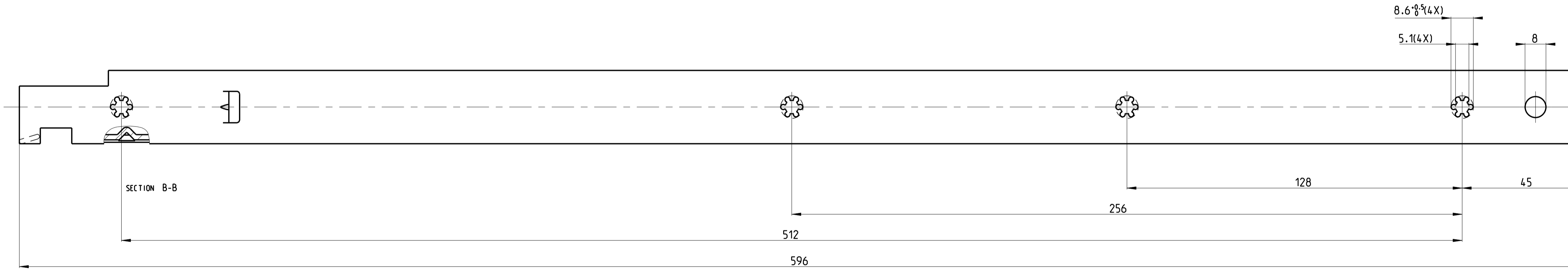
FRONT



511-01-S67-TA1



513-01-S67-TA3



SCALE 1:2

PRO/ENGINEER Drawing Was: - 101-F97-02		Dimensions between marks are guide dimensions. Tolerances unless otherwise stated ±0.5mm.		Thomas Regout Int. B.V. reserves the right to alter non-customer specific specifications without notice.	
American projection	DIMENSION	mm	MAT.:	-	
	SCALE	1:1	REM.:	RIGHT HAND SLIDE = LEFT HAND SLIDE	
	DATE	28-10-2011			
	DESIGNER	M. Mahieu			
	CHECKED	-		Type F	
TITAN 600.0 / 600.0 (18.5mm)					
THOMAS REGOUT INTERNATIONAL BV			Drw. Nr.	101-S67 _ 00	Format. A1
© Thomas Regout International BV All rights are reserved.			Production		

04	-	-	05	-	-	-	-	06	-	-	-	-
01	-	-	02	-	-	-	-	03	-	-	-	-