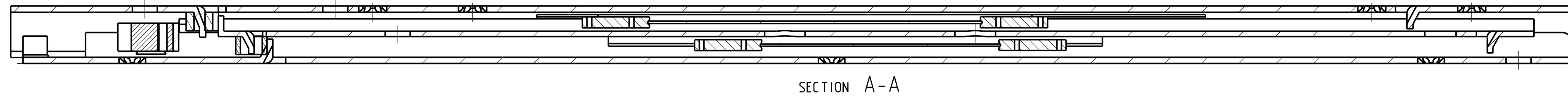
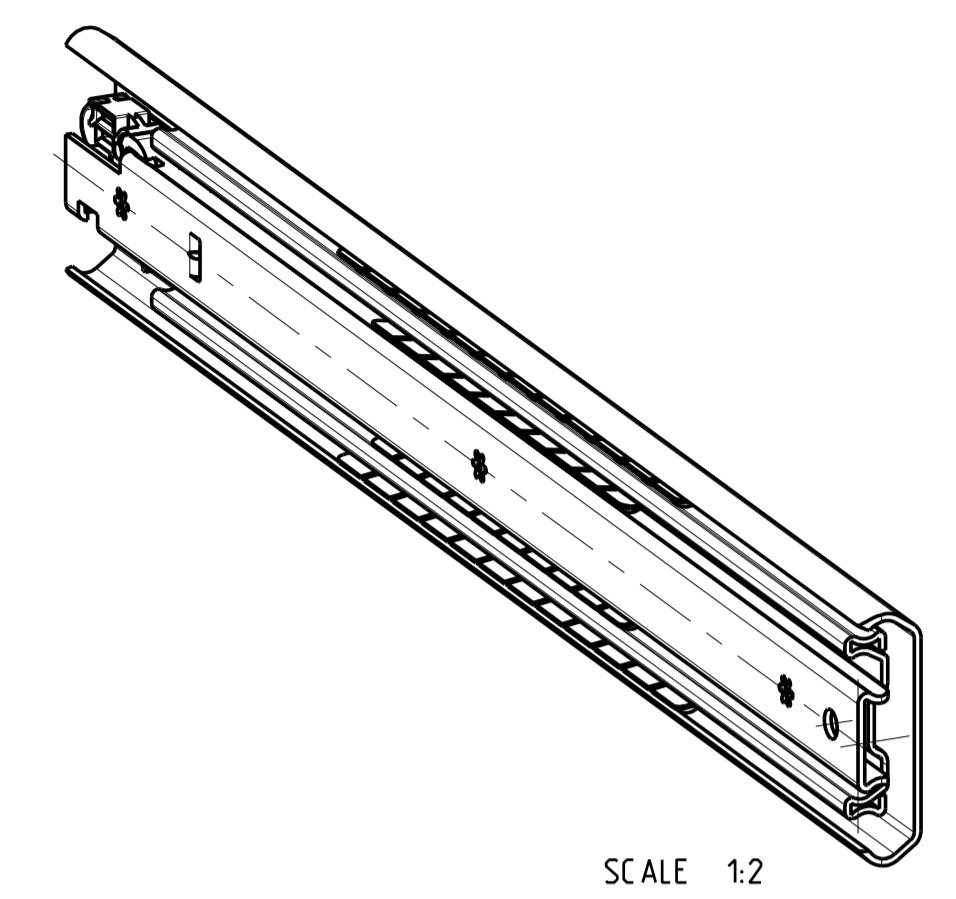
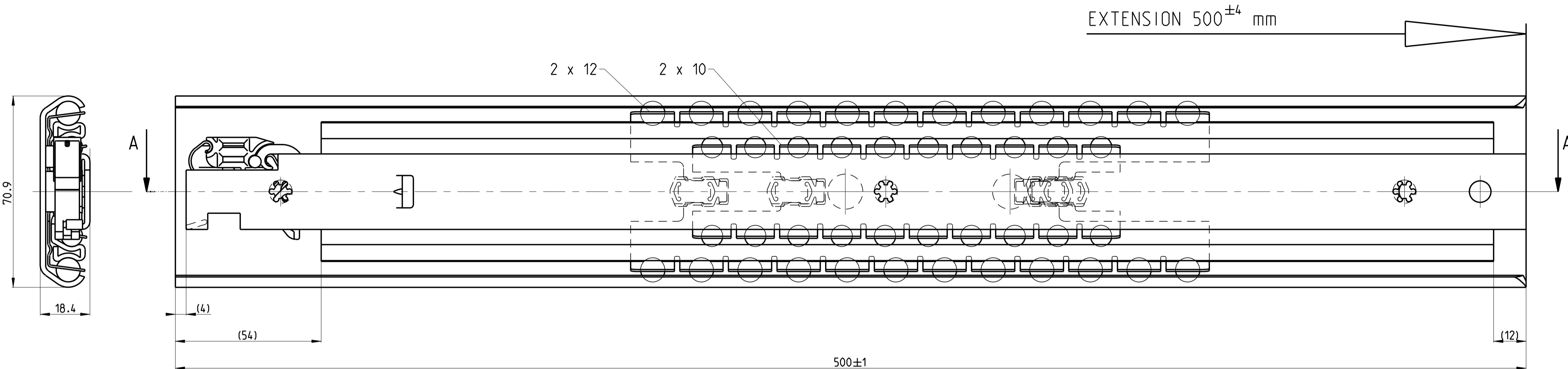


1 2 3 4 5 6 7 8 9 10 11 12 13 14 15 16 17 18 19 20

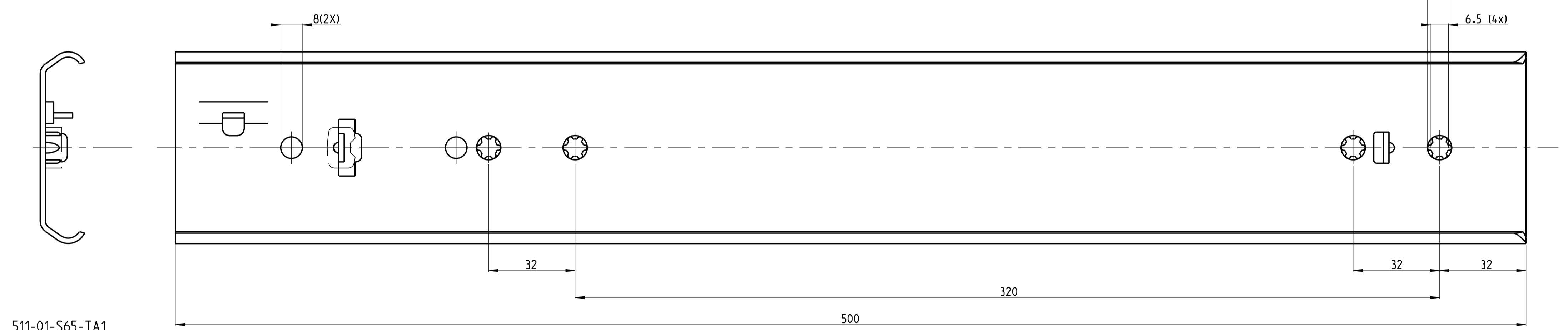


T 1-2 = 230.0
T 2-3 = 270.0

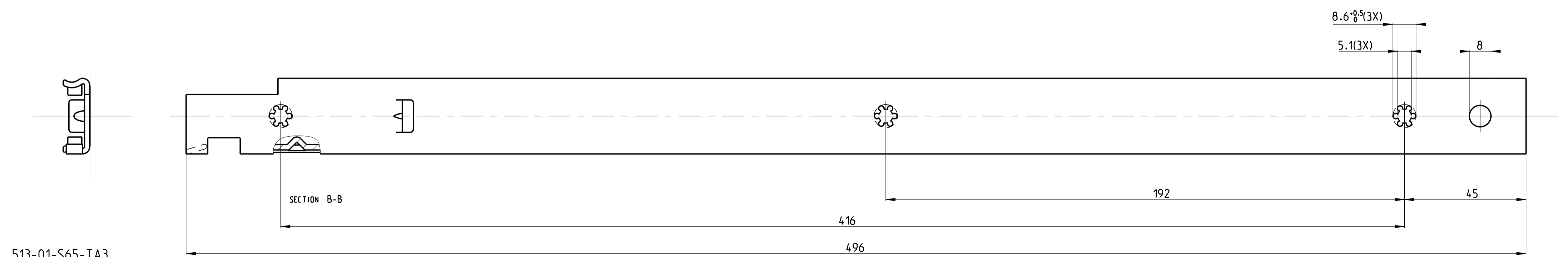


SCALE 1:2

FRONT



511-01-S65-TA1



513-01-S65-TA3

SECTION B-B

PRO/ENGINEER Drawing Was: - 101-F95-02	Dimensions between marks are guide dimensions. Tolerances unless otherwise stated ±0.5mm.	Thomas Regout Int. B.V. reserves the right to alter non-customer specific specifications without notice.
American projection	DIMENSION mm SCALE 1:1 DATE 27-10-2011 DESIGNER M. Mahieu CHECKED -	MAT.: - REM.: RIGHT HAND SLIDE = LEFT HAND SLIDE Type F
TITAN 500.0 / 500.0 (18.5mm)		
THOMAS REGOUT INTERNATIONAL BV		Drw. Nr. 101-S65 _ 00 Format. A1
© Thomas Regout International BV All rights are reserved. Production		

04	-	-	-	05	-	-	-	06	-	-	-	-	-
01	-	-	-	02	-	-	-	03	-	-	-	-	-