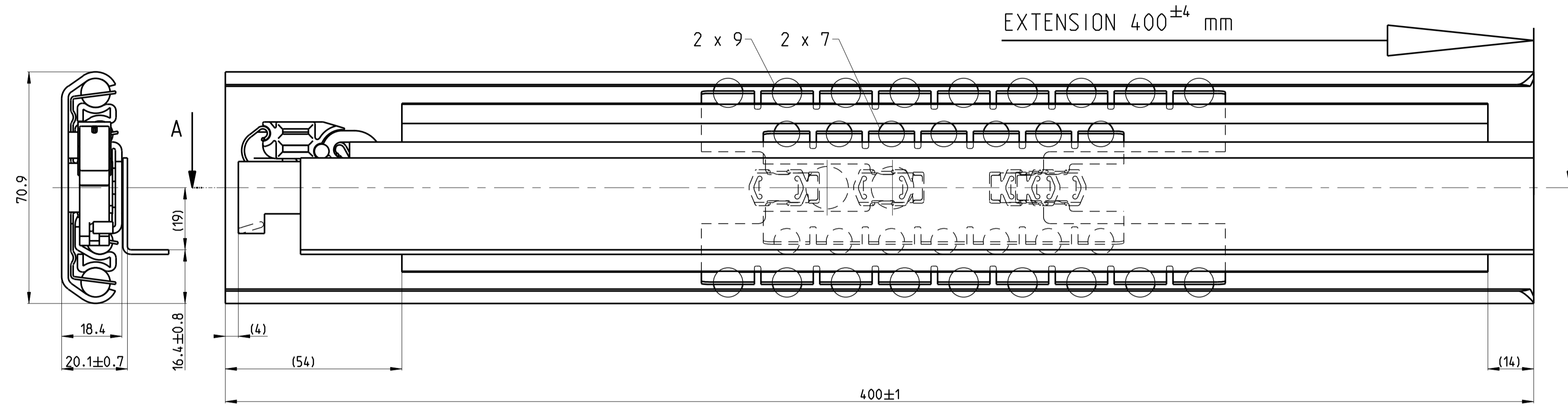
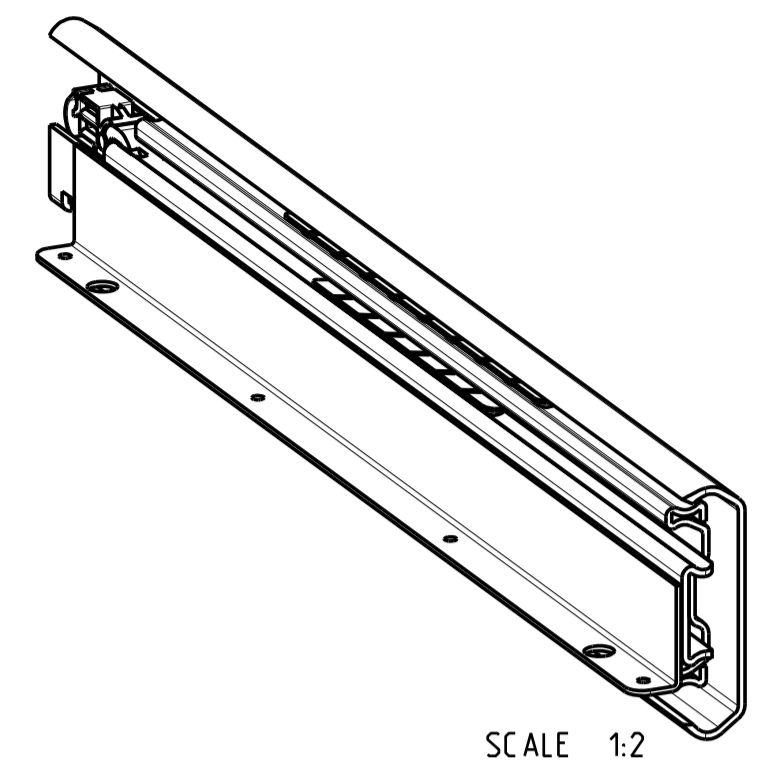
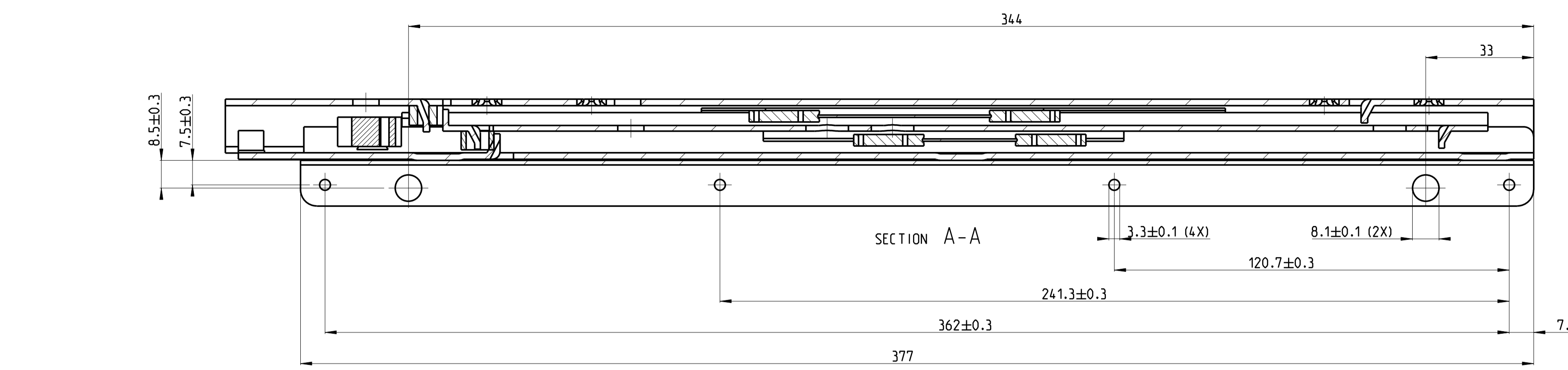
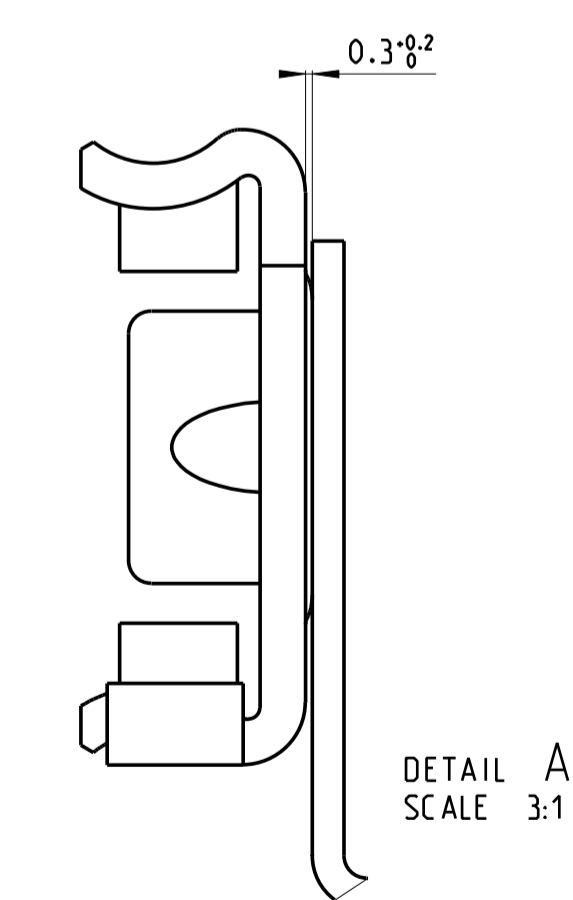
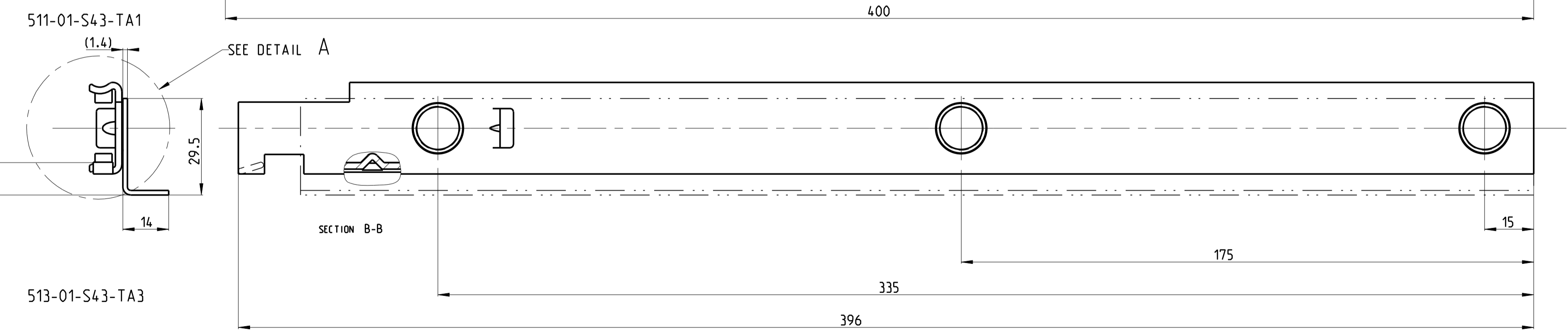
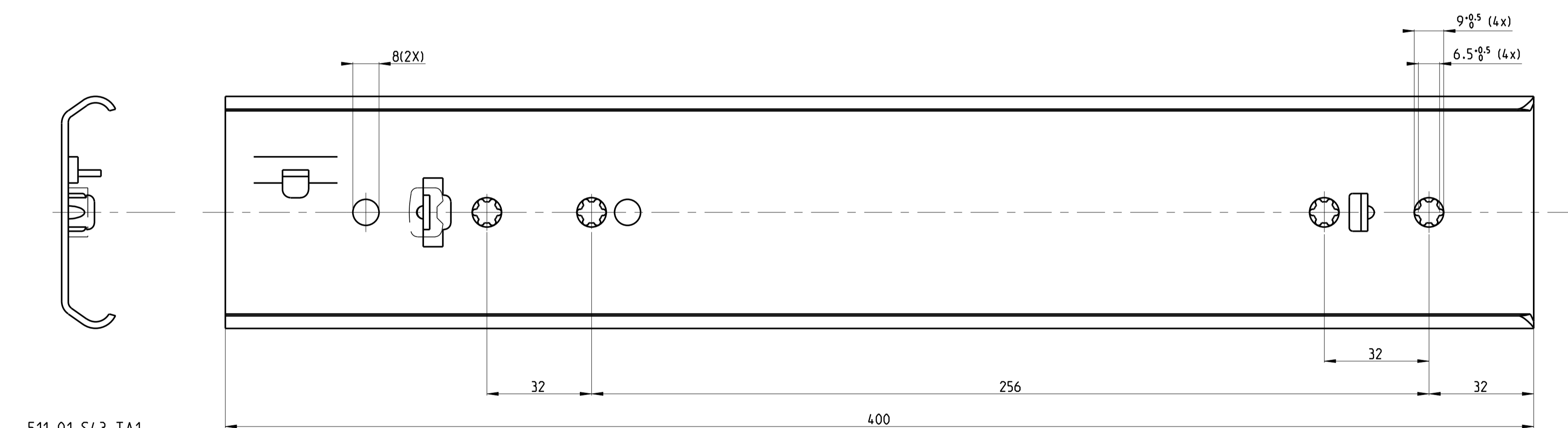


T 1-2 = 184.0  
T 2-3 = 216.0



FRONT



PRO/ENGINEER Drawing Was: - -		Dimensions between marks are guide dimensions. Tolerances unless otherwise stated ±0.5mm.		Thomas Regout Int. B.V. reserves the right to alter non-customer specific specifications without notice.	
American projection	DIMENSION	mm	MAT.: -		
	SCALE	1:1	REM.: RIGHT HAND SLIDE IS SHOWN PART.		
	DATE	01-08-2011	LEFT HAND SLIDE IS OPPOSITE PART.		
	DESIGNER	J. Schreurs	FAILSAFE: RIGHT HAND SLIDE = LEFT HAND SLIDE		
CHECKED	-	TYPE E			
TITAN 400.0 / 400.0 (18.5mm)					
THOMAS REGOUT INTERNATIONAL BV			Drw. Nr.	Format.	
© Thomas Regout International BV All rights are reserved.			101-S43 _ 00	A1	
			Production		

04	-	-	05	-	-	06	-	-	-	-
01	-	-	02	-	-	03	-	-	-	-