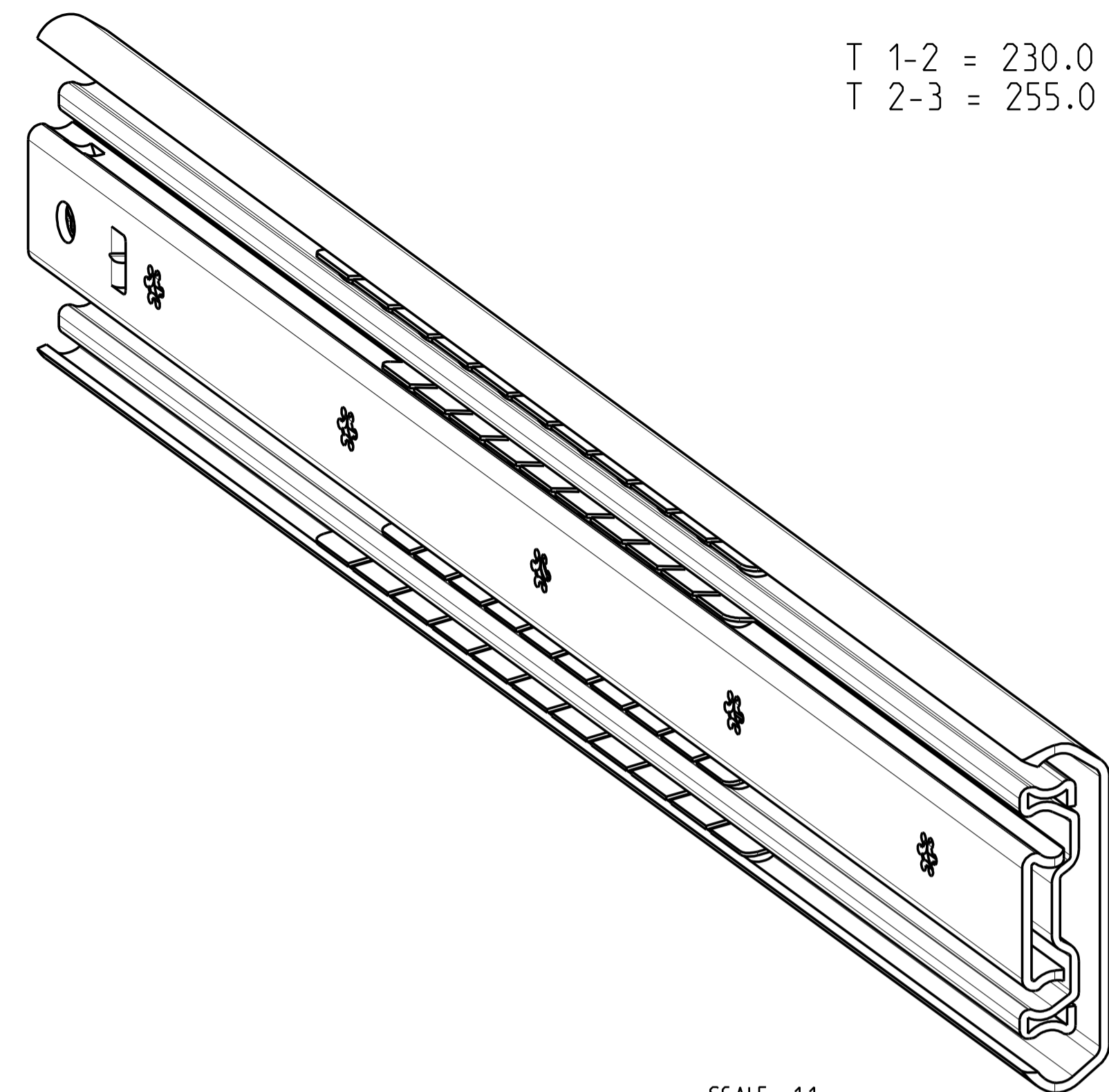
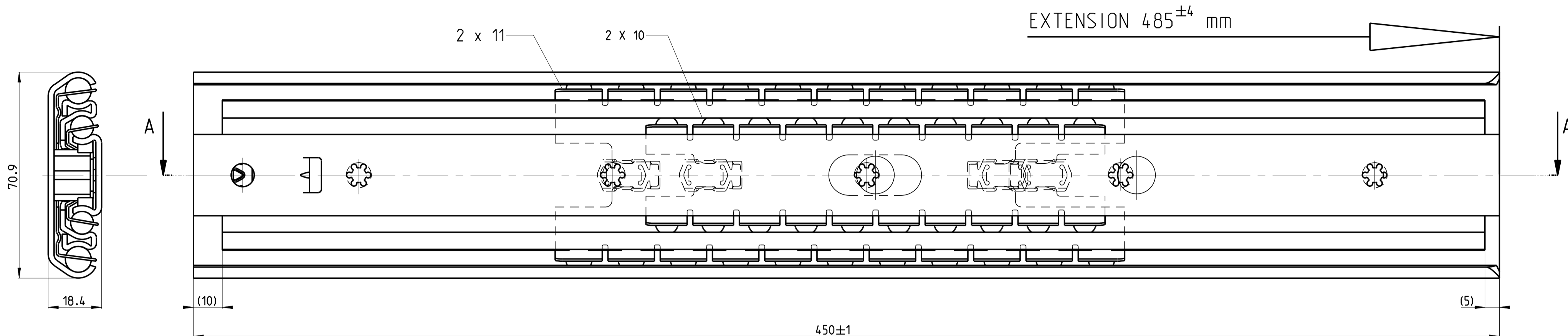


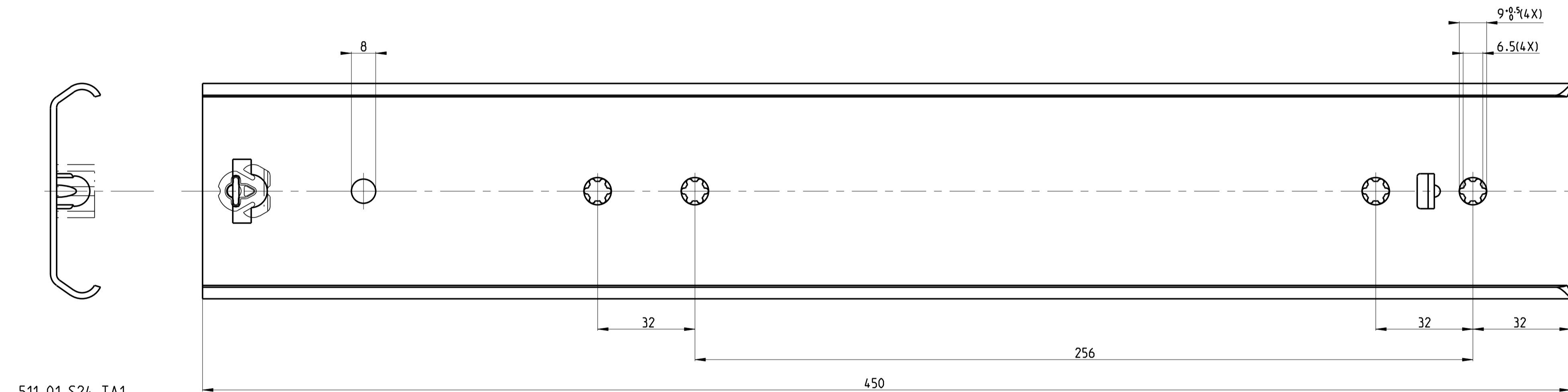
SECTION A-A



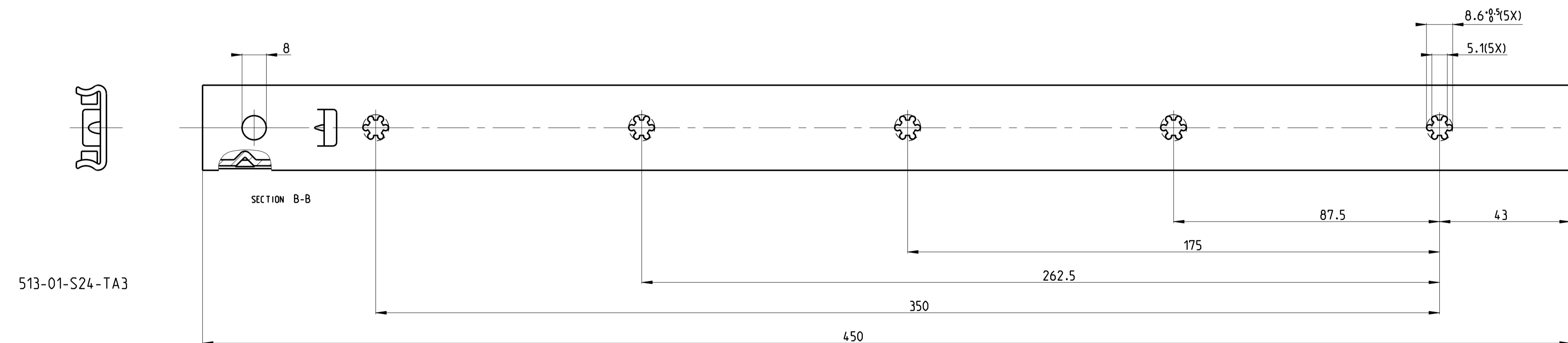
T 1-2 = 230.0
T 2-3 = 255.0

SCALE 1:1

FRONT



511-01-S24-TA1



513-01-S24-TA3

PRO/ENGINEER Drawing Was: - 101-523-03	Dimensions between marks are guide dimensions. Tolerances unless otherwise stated ±0.5mm.	Thomas Regout Int. B.V. reserves the right to alter non-customer specific specifications without notice.
American projection	DIMENSION mm	MAT.: -
SCALE 1:1	DATE 25-08-2011	REM.: RIGHT HAND SLIDE = LEFT HAND SLIDE
DESIGNER M. Mahieu	CHECKED -	TYPE D
TITAN 450.0 / 485.0 (18.5mm)		
		Drw. Nr. 101-S24 _ 00
© Thomas Regout International BV All rights are reserved.		Format. A1 Production

04	-	-	05	-	-	-	-	06	-	-	-	-
01	-	-	02	-	-	-	-	03	-	-	-	-