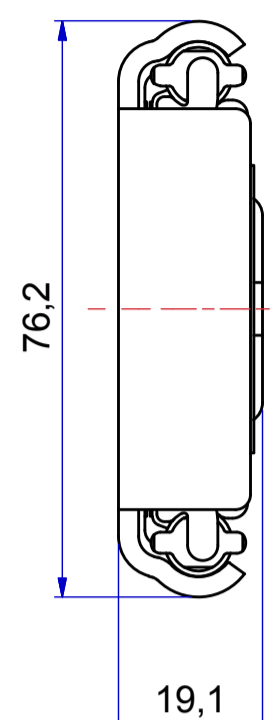
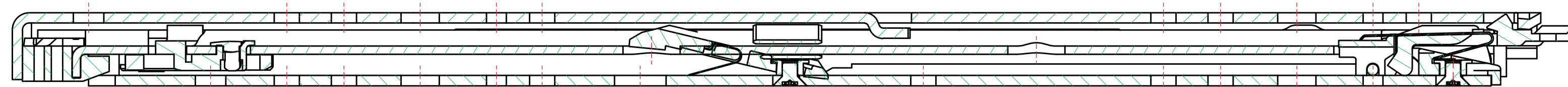
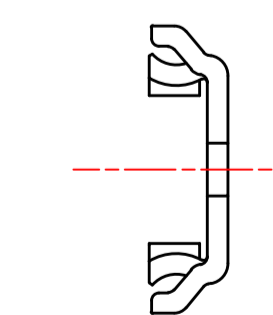


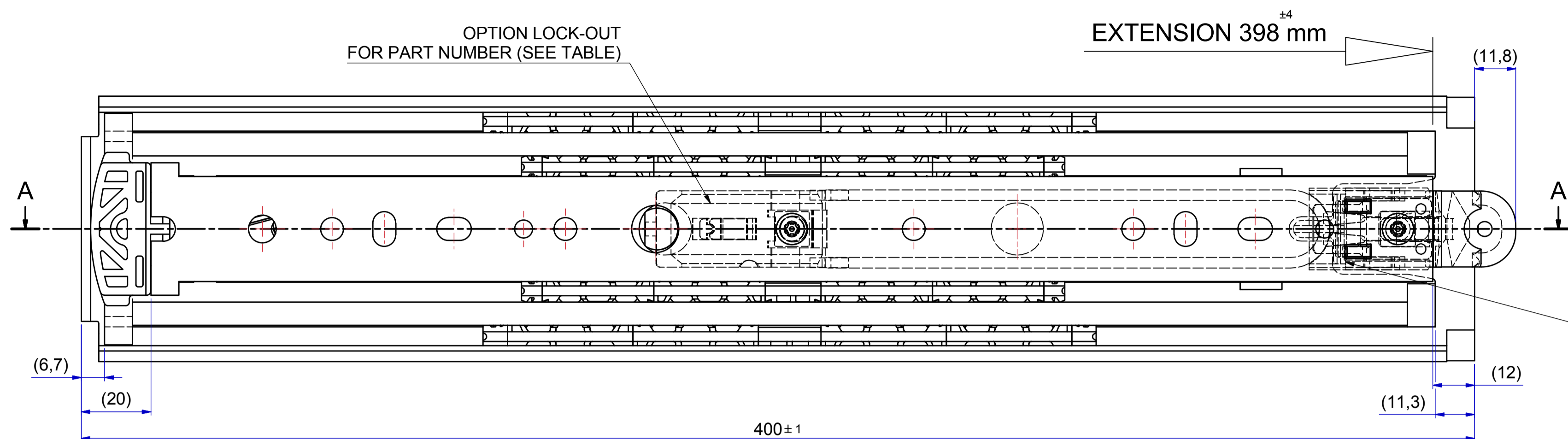
A-A (1:1)



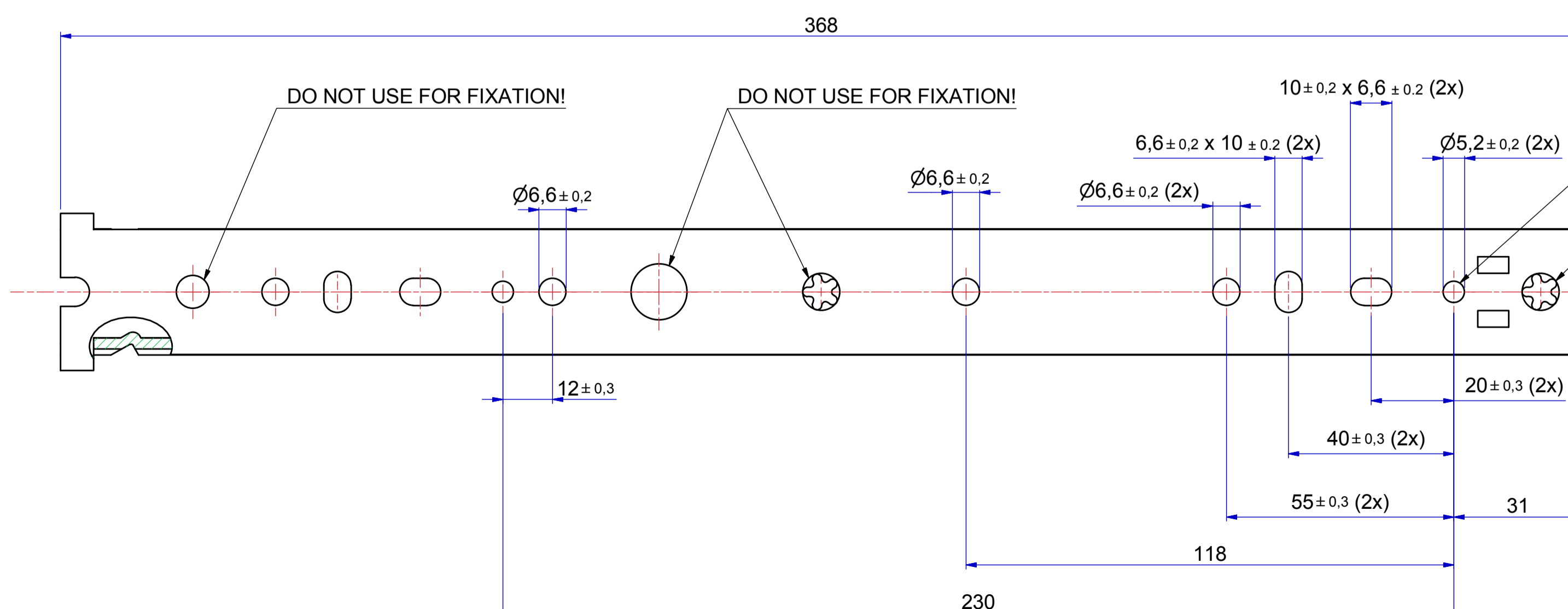
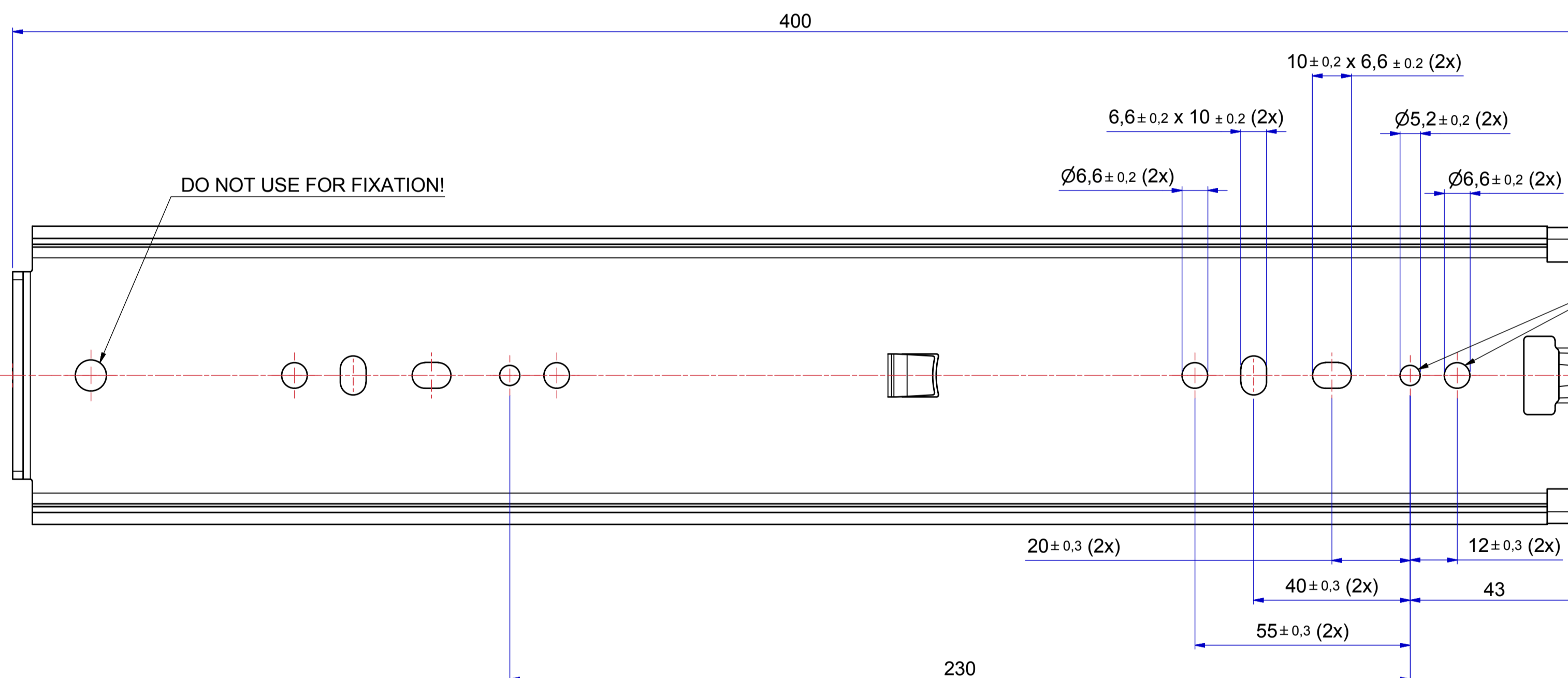
511-14-S03-TC1



513-14-S03-TC3



T 1-2 = 201,3 mm
T 2-3 = 196,7 mm



RIGHT HAND SLIDE = LEFT HAND SLIDE

Dimensions between marks are guide dimensions.
Thomas Regout Int. B.V. reserves the right to alter non-customer specific specifications without notice

Released for Production

Rev	Date	Description	Designer
03	28-09-2015	Modified thickness 18.9 -> 19.1 (As build)	R.Schreurs
03	11-06-2015	Extra montage gat in #2 toegevoegd op 120mm, huidig gat verplaatst van 180 -> 221 mm.	S.Duizings
02	03-12-2013	Stopsystemen t.b.v. front-release gewijzigd.	M.Peeters
01	11-06-2013	Stopsysteem gewijzigd t.b.v. Front-Release	M.Peeters

Designer	R. Groen	Gen.Tol.Dim.	± 0.5	Third angle projection	Material
Date	11-6-2013	Gen.Tol.Angle	± 0.5		Treatment
Approver		Gen.Roughness	Ra		Draw type
Date		Units	mm/deg.	Scale	1 : 1
Description		TR7619 400 / 398 (19,1)		Released for Production	
Format	A1	THOMAS REGOUT INTERNATIONAL B.V.		Item No.	114-S03
PART NUMBER		114S03	114S03A	114S03B	114S03D
		STANDARD		LOCK-IN	LOCK-OUT
		LOCK-IN & LOCK-OUT & FRONT-RELEASE		114S03D	
© THOMAS REGOUT INTERNATIONAL BV, Industrieweg 40, 6219 NR, Maastricht, The Netherlands, +31 (0)43 351 66 66 All rights are reserved.					

Format	A1	THOMAS REGOUT INTERNATIONAL B.V.	Item No.	114-S03	Revision	03
© THOMAS REGOUT INTERNATIONAL BV, Industrieweg 40, 6219 NR, Maastricht, The Netherlands, +31 (0)43 351 66 66 All rights are reserved.						