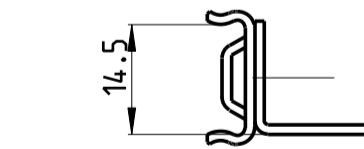
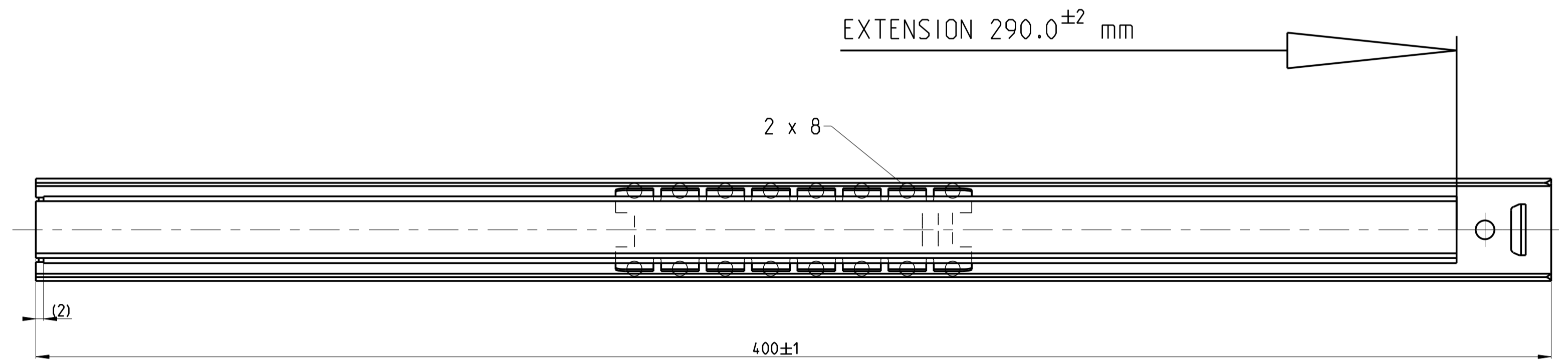


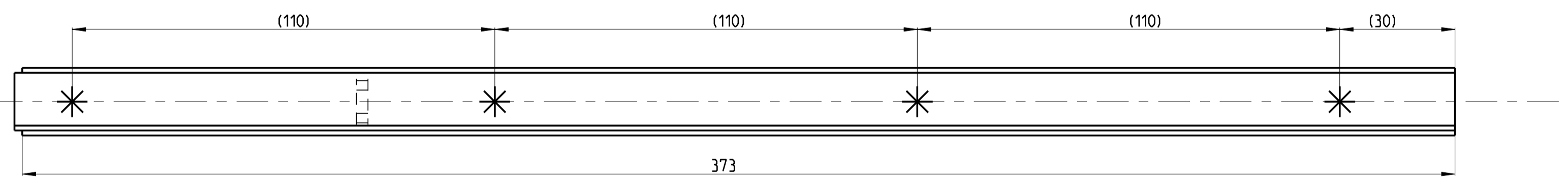
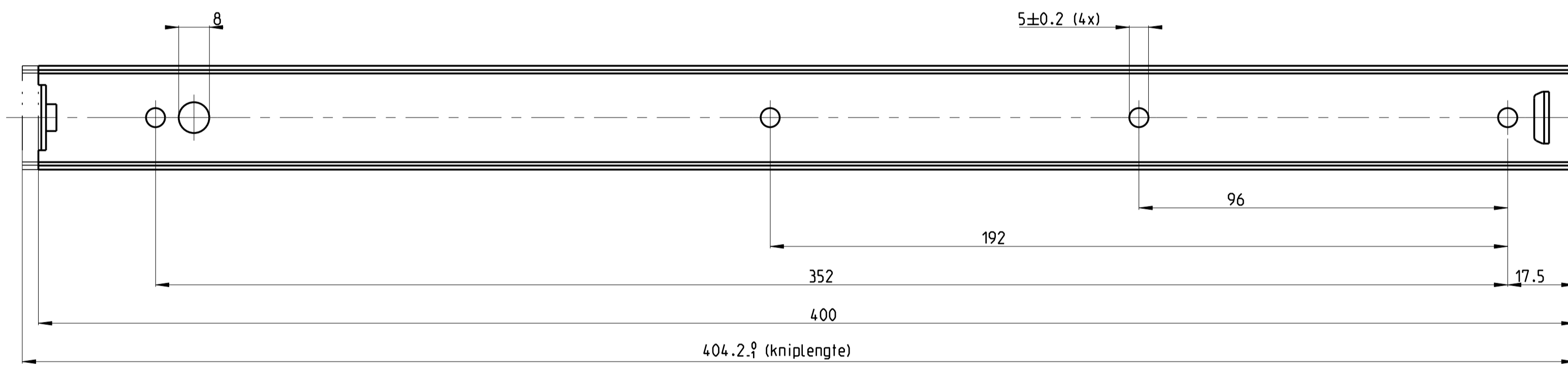
511-09-051-EMS1



513-09-051-EMS2



FRONT



PRO/ENGINEER Drawing		Dimensions between marks are guide dimensions. Tolerances unless otherwise stated ±0.5mm.		Thomas Regout Int. B.V. reserves the right to alter non-customer specific specifications without notice.	
Was: - -					
American projection	DIMENSION	mm	MAT.: -		
	SCALE	1:1	REM.: Right hand slide is shown part		
	DATE	07-03-2007	Left hand slide is opposite part		
	DESIGNER	J. Schreurs	-		
CHECKED	-	Type 2			
EMS 400.0 / 290.0 (9,5mm)					
THOMAS REGOUT INTERNATIONAL BV				Drw. Nr.	Format.
© Thomas Regout International BV All rights are reserved.				109-051 _ 03	A1
04	-	05	-	06	-
01	30-08-90	SENZ ==> GALV.	RB	INT	02
30-01-97			ZAAGLENGTE EMS-1 405.7 ==> 404.2		
AN	INT	03	22-05-07	PROJECTIES UIT LAEDRAGER VERWIJDERD	
JS	INT	Production			