

SINGLE FILTER F119

Application

The Single Filter F119 is a multi-purpose filter for liquid media. It is characterized by high efficiency, a compact footprint as well as quick and easy cleaning. The degree of contamination can be optionally monitored with various differential pressure indicators. Further options, for example alternate housing materials or magnetic inserts enable an application-specific customization.

Function

The standard filter design consists of a cast housing with in-line positioned flanges. The cover is fixed with a clamp lock.

The filter is equipped with a basket or ring-type strainer. The medium to be filtered flows through the strainer from the inside to the outside. The strainer is made out of a perforated plate which can be covered optionally with mesh in different mesh sizes.



Technical Data

In- / outlet:	G ½ - 2
Operating medium:	Fluids
Volume flow:	max. 18 m³/h
Design pressure:	6 bar, 10 bar

Components	Standard	Customized
Strainer:	Basket strainer	Ring-type strainer
Grade of filtration:	80 – 1000 µm (fabric / perforated plate) ≥ 1 mm (perforated plate)	10 – 60 µm acc. customer's specification
Filter cover:	Clamp lock	
Drainage:	Screw (stainless steel, brass)	Ball valve, acc. customer's specification
Connection:	Female pipe thread / Whitworth	NPT, with welding ends

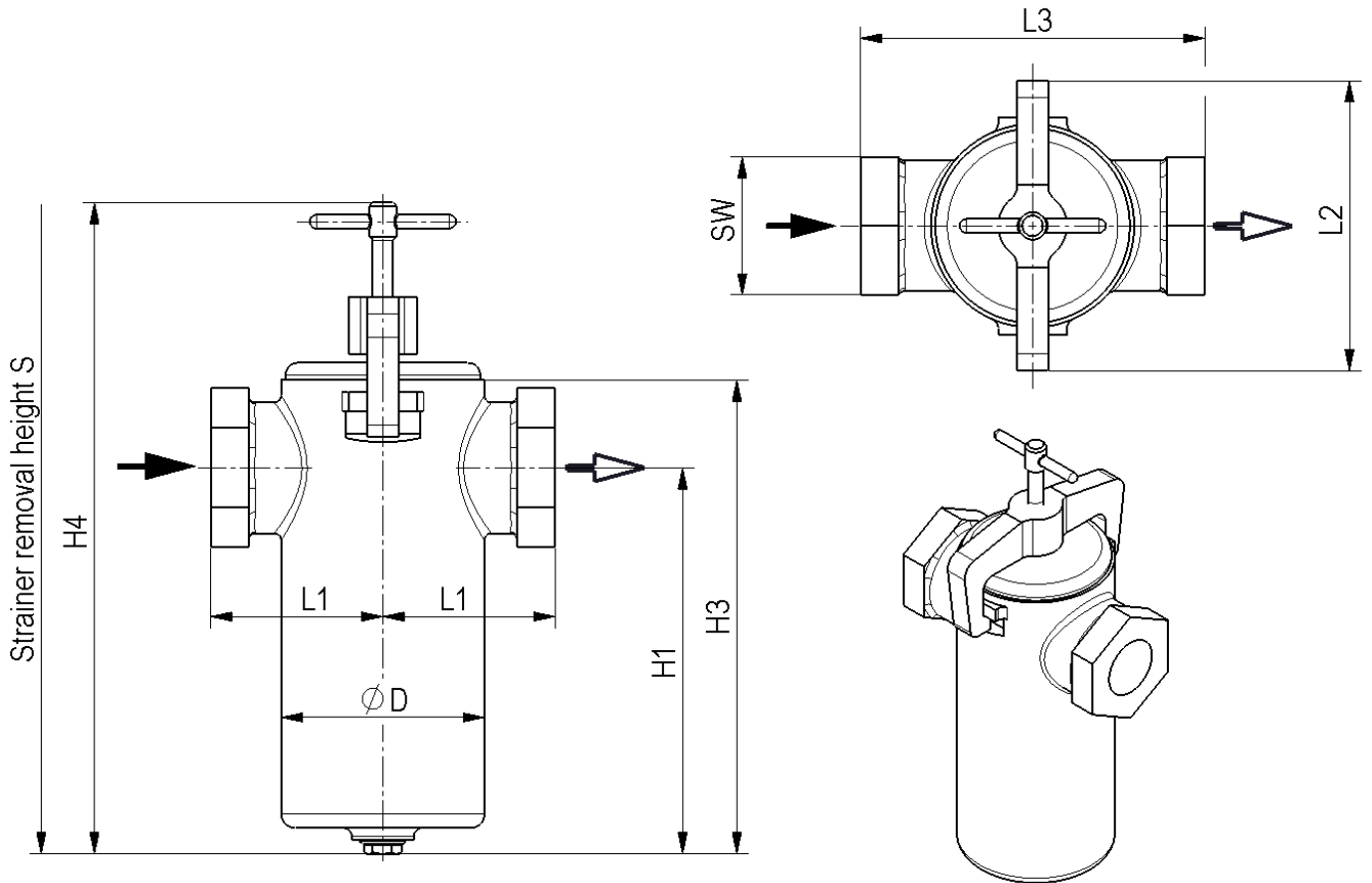
Materials		
Housing and cover:	G. GGG-50 A: 1.4581 / 1.4571	acc. customer's specification
Cover gasket:	NBR	EPDM, FPM, PTFE
Strainer (perforated plate / fabric):	1.4301, 1.4301 / 1.4401	1.4571, 1.4571 / 1.4401, brass / Bronze, Hastelloy C4

Surface Treatment			
Housing inside:	F119G	Powder coating RAL 5018	acc. customer's specification
	F119A	Glass bead blasted	
Housing outside:	F119G	Powder coating RAL 5018	acc. customer's specification
	F119A	Glass bead blasted	

Options	
Magnetic insert	

Further options and customer specific solutions are available upon request.

SINGLE FILTER F119



DN	PN		ØD	H1	H3	H4	L1	L2	L3	S	SW	Volume	Flow capacity	Filter surface		Weight ca.	
	G	A												BS*	RS*	G	A
	bar																
1/2	6	10	118	221	272	375	100	168	200	545	80	2,5	1,1	400	640	10	11
3/4	6	10	118	221	272	375	100	168	200	545	80	2,5	2,5	400	640	10	11
1	6	10	118	221	272	375	100	168	200	545	80	2,5	4,5	400	640	10	11
1 1/4	6	10	118	221	272	375	100	168	200	545	80	2,5	7	400	640	10	11
1 1/2	6	10	118	221	272	375	100	168	200	545	80	2,5	10	400	640	10	11
2	6	10	118	221	272	375	100	168	200	545	80	2,5	18	400	640	10	11

- * BS = Basket strainer
- * RS = Ring-type strainer

Larger filter sizes, higher operating pressures as well as further customer specific designs and features are available upon request.

The above mentioned flow capacity is valid for inlet velocities of 2,5 m/s in pressure pipes, a viscosity of 1 mPas (water) and a grade of filtration $\geq 80 \mu\text{m}$. For suction pipes we recommend half of the above mentioned flow capacity values.