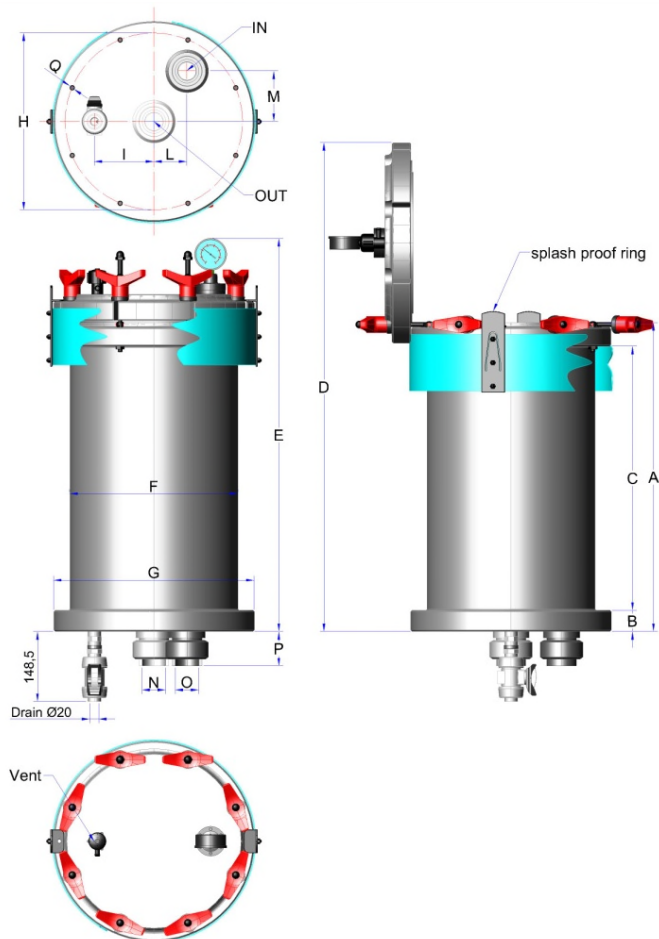


Filter housing LT-KFKB-CFMIX

Features

- Monobloc construction
- Tilt lid
- Quick closure system with swing bolts
- PP-version: T_{max} 60°C at 4 bar
- PVDF-version: T_{max} 90°C at 2,5 bar



Technical data

Type	A	B	C	D	E	F	G	H	I	L	M	N	O	P	Q
3x10	395	45	305	615	565	180	230	200	64,5	45,5	45,5	25	25	56,5	11
3x20	650		560	870	820										
3x30	925		835	1145	1095										
7x10	400	45	305	640	585	250	315	271	91	64	64	40	40	63	11
7x20	655		560	925	840										
7x30	930		835	1200	1115										
12x10	400	45	305	730	585	315	375	335	111	55	95,5	63	63	73	11
12x20	655		560	995	840										
12x30	930		835	1260	1115										
15x10	400	45	305	780	595	355	425	375	126	70	107	63	63	73	11
15x20	655		560	1035	850										
15x30	930		835	1310	1125										