

Filter housing LT-CFB top series

General

LT-CFB filter housing is an economical solution for most of the industrial filtration applications. The strong and lightweight filter vessel is resistant to a wide range of chemicals. Diversity of filter bags is available.

Features

- Single bag filter housing suitable for different bag types
- Constructed from 100% polypropylene or PVDF material that is strong and high resistance to a wide range of chemicals.
- Solid monobloc body construction
- Topline design
- Swing bolt closure system with swing bolts
- Tilt lid
- Lid inlet
- Union connection
- Available for filter bag sizes 1, 2 and 4
- Bag support basket included



Filter housing LT-CFB top series

Technical data

Type	Filter area	Max. operating temperature	Max. operating pressure	Flow rate*
1	0,25 m ²	PVDF: 100°C PP: 85°C	6 bar @ 20°C	9 - 15 m ³ /h
2	0,50 m ²			12 - 30 m ³ /h
4	0,15 m ²			3 - 6 m ³ /h

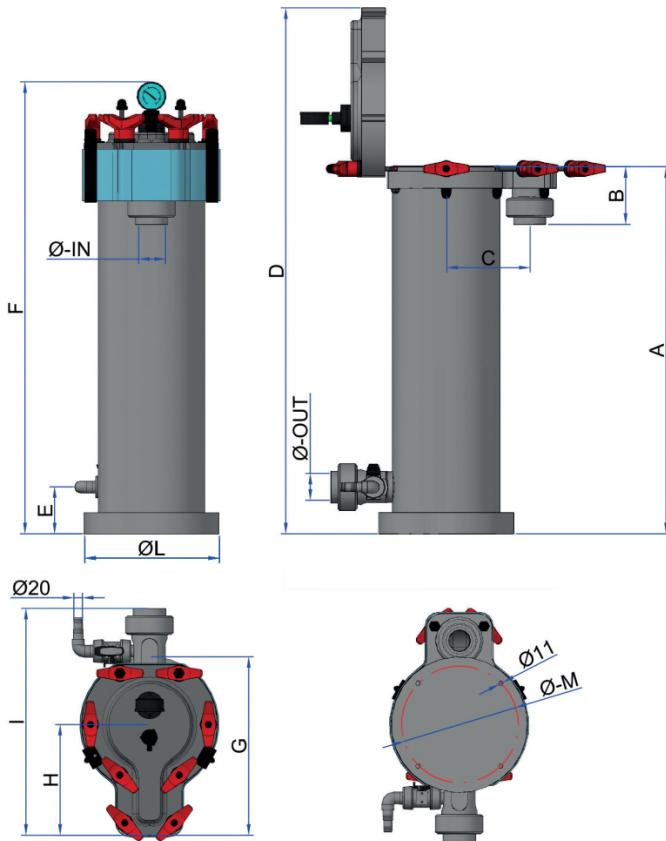
*Data based on laboratory trial with pure water at ambient temperature and controlled delta p of 0,1 bar. Data may vary depending on specific application and filter bags used.

Ordering information

LT-CFB - P - T - 1040 - 32 - B - GR						
Type	Material	Inlet	Size	Connection size	Connection style	Options
CFB	P: PP V: PVDF	T: top	1040: size 4 1840H: size 1 1880H: size 2	25 32 40 50 63	B: socket unions	G: Pressure gauge R: splash proof lid ring

Filter housing LT-CFB top series

Drawing



Dimensions

Type	1040	1840H	1880H
A	415	530	860
B	83	136	136
C	115	195	195
D	630	917	231
E	70	110	110
F	570	730	1060
G	262	415	415
H	152	257	257
I	360	530	530
\varnothing L	220	315	315
\varnothing M	186	271	271
\varnothing IN	25 - 32	50 - 63	50 - 63
\varnothing OUT	25 - 32	50 - 63	50 - 63