

Filter housing LT-BFMB

Features

- Design sizes for 4, 6, 8, 10, 12 and 16 bags of size 2
- Hinged lid or lid with lifting and swiveling device
- Closure system with clam or eye bolts
- Different sizes and type of inlet/outlet available
- Individual alignment of connection, lifting system and closing system possible
- Material: stainless steel SS304 and SS316L, other upon request
- Surface treatment: glass pearl blasting
- Operating pressure: max. 6 bar (fluid media)
- Sealing: EPDM (standard), Viton, Buna, others upon request
- Bag support baskets included
- Bag fixing rings included
- Safety interlock for automatic venting before opening of the housing (for clamp closure design)



Filter housing LT-BFMB

Technical data

Type	Filter area	Volume	Max. operating temperature	Max. operating pressure	Flow rate*
BFMB-04	2,00 m ²	240 liter	100°C	6 bar	~ 48 - 120 m ³ /h
BFMB-06	3,00 m ²	360 liter	100°C	6 bar	~ 72 - 180 m ³ /h
BFMB-08	4,00 m ²	460 liter	100°C	6 bar	~ 96 - 240 m ³ /h
BFMB-10	5,00 m ²	630 liter	100°C	6 bar	~ 120 - 300 m ³ /h
BFMB-12	6,00 m ²	830 liter	100°C	6 bar	~ 144 - 360 m ³ /h
BFMB-16	8,00 m ²	1030 Liter	100°C	6 bar	~ 192 - 480 m ³ /h

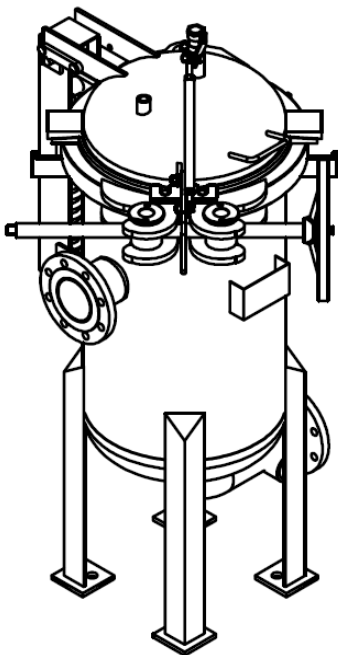
*Data based on laboratory trial with pure water at ambient temperature and controlled delta p of 0,1 bar. Data may vary depending on specific application and filter bags used.

Filter housing LT-BFMB

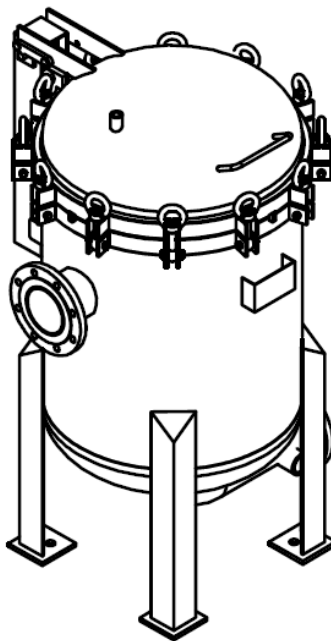
Ordering information LT-BFMB-

04 - 2 - U - A - B - 100 - S - 1-1 - 1 - G - E										
No. of bags	Bag size	Basket design	Closure	Fixing	Connecti on size	Connecti on style	Vent - drain	Material	Surface	Sealing
04: 4 06: 6 08: 8 10: 10 12: 12 16: 16	2: 2	U: Support basket with 3mm holes (standard) S: Sieve basket N: no basket	A: Clamp closure, hinge lid P: Eye bolt closure, lid with lifting and swiveling device R: Eye bolt closure, hinge lid	B: fixed feet	2: 2" 3: 3" 4: 4" 80: DN80 100: DN100 125: DN125 150: DN150 200: DN200 250: DN250 300: DN300	B: BSPF S: DIN flange EN1092-1	1/4: 1/4" 1/2: 1/2" 3/4: 3/4" 1: 1" 2: 2"	1: SS316L (1.4404) 2: SS304 (1.4301) Other materials upon request.	G: outside glass pearl blasted, inside pickled E: outside mech. polished, inside pickled	E: EPDM V: Viton S: Silicone B: NBR O: none

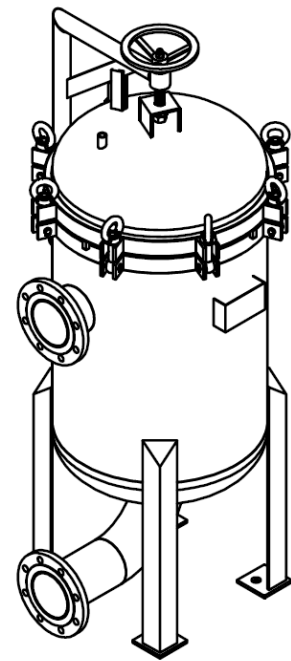
Drawing



Clamp closure with hinge lid



Eye bolt closure with hinge lid



Eye bolt closure with lifting and swiveling device