

Filter housing LT-KFDF

Features

- Design sizes for 3, 5, 7, 12, 15, 22, 27, 36, 40, 55, 88 and 105 cartridges in the lengths of 20", 30" and 40"
- Hinged lid closure system (up to size 12x40) or lid with swivelling and lifting device (from size 15x30 on)
- Suitable for cartridges with DOE or SOE connection
- Different sizes and type of inlet/outlet available
- Material: stainless steel SS304 and SS316L, other upon request
- Surface treatment: glass pearl blasting
- Operating pressure: max. 7 bar (fluid media)
- Sealing: EPDM (standard), Viton, Buna, others upon request



Filter housing LT-KFDF

Technical data

Type	Size	A	B	C	D	F	Inlet/Outlet	Flow rate*
KFDF-03-20	3x20"	250	600	930	168	155	DN25 – DN50	~ 3 - 7 m ³ /h
KFDF-03-30	3x30"	250	700	1180	168	155	DN25 – DN50	~ 4 – 10 m ³ /h
KFDF-05-20	5x20"	250	600	930	219	155	DN25 – DN50	~ 5 - 12 m ³ /h
KFDF-05-30	5x30"	250	700	1180	219	155	DN25 – DN50	~ 7 – 18 m ³ /h
KFDF-07-20	7x20"	320	700	1010	273	180	DN25 – DN50	~ 7 - 16 m ³ /h
KFDF-07-30	7x30"	320	800	1260	273	180	DN25 – DN50	~ 10- 25 m ³ /h
KFDF-07-40	7x40"	320	900	1510	273	180	DN25 – DN50	~ 14 - 33 m ³ /h
KFDF-12-30	12x30"	390	900	1340	350	240	DN50 – DN100	~ 18 - 43 m ³ /h
KFDF-12-40	12x40"	390	1000	1590	350	240	DN50 – DN100	~ 24 - 57 m ³ /h
KFDF-15-30	15x30"	410	900	1370	406	275	DN50 – DN100	~ 22 - 54 m ³ /h
KFDF-15-40	15x40"	410	1000	1620	406	275	DN50 – DN100	~ 30 - 72 m ³ /h
KFDF-22-30	22x30"	470	900	1450	457	300	DN50 – DN100	~ 33 - 79 m ³ /h
KFDF-22-40	22x40"	470	1000	1700	457	300	DN50 – DN100	~ 44 - 105 m ³ /h
KFDF-27-30	27x30"	600	900	1610	500	375	DN80 – DN125	~ 40 - 97 m ³ /h
KFDF-27-40	27x40"	600	900	1865	500	375	DN80 – DN150	~ 54 - 130 m ³ /h
KFDF-36-30	36x30"	620	950	1625	550	400	DN80 – DN150	~ 54 - 130 m ³ /h
KFDF-36-40	36x40"	620	950	1880	550	400	DN80 – DN150	~ 72 - 172 m ³ /h
KFDF-40-30	40x30"	650	1000	1670	600	425	DN80 – DN150	~ 60 - 144 m ³ /h
KFDF-40-40	40x40"	650	1000	1925	600	425	DN80 – DN150	~ 80 - 192 m ³ /h

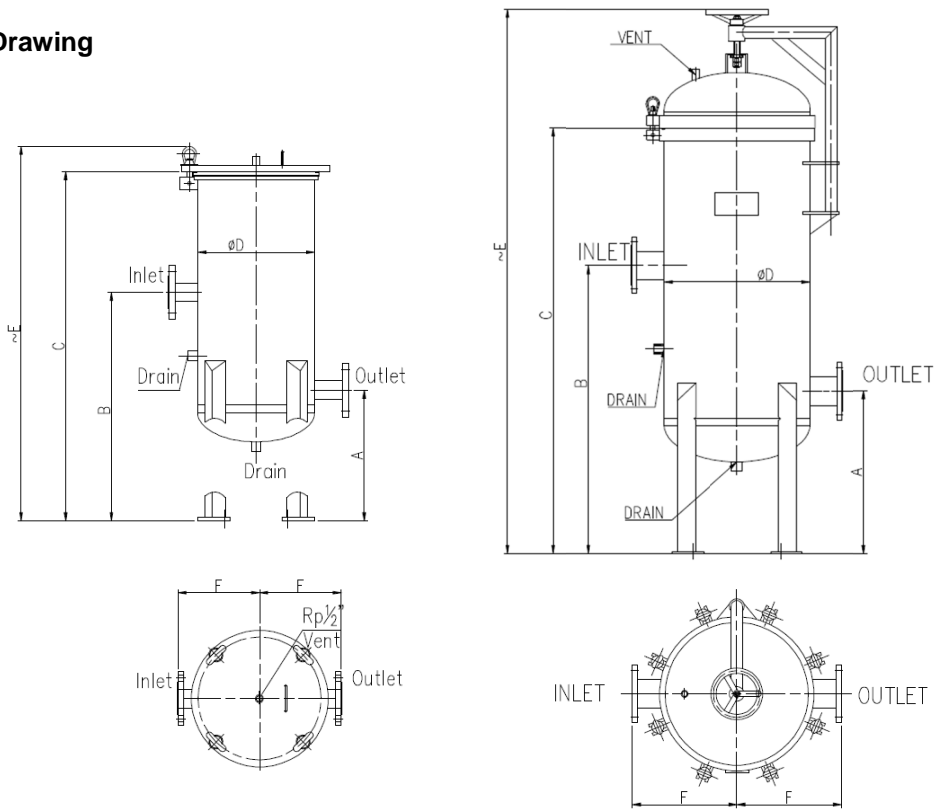
*Data based on laboratory trial with pure water at ambient temperature and controlled delta p of 0,1 bar.
Data may vary depending on specific application and filter cartridges used.
Dimensions in the table are valid for standard versions and can vary depending on specific order.

Filter housing LT-KFDF

Ordering information LT-KFDF-

03 - 20 - U - A - S - 50 - S - 1/2-1/4 - 1 - G - E										
No. of cartridge	Length	Code	Closure	Mounting	Connection size	Connection style	Drain - Vent	Material	Surface	Sealing
03: 3 05: 5 07: 7 12: 12 15: 15 22: 22 27: 27 36: 36	10: 10" 20: 20" 30: 30" 40: 40"	U: DOE and 222 (Standard) D: DOE	A: Eye bolts (standard) S: clamp	S: legs N: none	1: 1" 2: 2" 3: 3" 4: 4" 50: DN50 80: DN80 100: DN100 125: DN125 150: DN150	B: BSPF S: Flange	1/4: 1/4" 1/2: 1/2" 3/4: 3/4" 1: 1"	304: SS304 (1.4301) 316L: SS316L (1.4404) Other materials upon request	G: outside glass pearl blasted, inside pickled E: outside mech. polished, inside pickled H: inside and outside polished	E: EPDM V: Viton S: Silicon B: Buna O: none

Drawing



Size 3x20" – 12x40"

Size 15x30" – 40x40"