

## Filter housing LT-BFD

### Features

- Topline single bag filter housing suitable for different bag types
- Closure design: flat cover with eye bolts
- Available for filter bag sizes 1 and 2
- DN50 or 2" BSP inlet/outlet
- Material: stainless steel SS304 and SS316L, other upon request
- Surface treatment: glass pearl blasting (standard), e-polishing, mechanical polishing
- Operating pressure: max. 20 bar (fluid media)
- Differential pressure: max. 10 bar for basket and housing, not valid for bags
- Feet adjustable
- Sealing: Viton (standard), EPDM, Buna, others upon request
- Bag support basket included

### Applications

Please check the chemical resistance against your fluid as well as the applicability for your application before usage:

- Water filtration and purification
- Food & beverage industry
- Chemical industry
- Automotive industry
- Paint and varnish industry



Filter housing LT-BFD size 2

### Technical data

Type	Filter area	Volume	Max. operating temperature	Max. operating pressure	Flow rate*
BFD-1-1	0,25 m <sup>2</sup>	15 Liter	100°C	20 bar	9 – 15 m <sup>3</sup> /h
BFD-1-2	0,50 m <sup>2</sup>	36 Liter	100°C	20 bar	12 - 30 m <sup>3</sup> /h

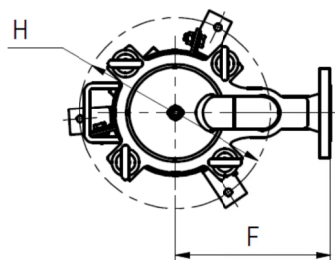
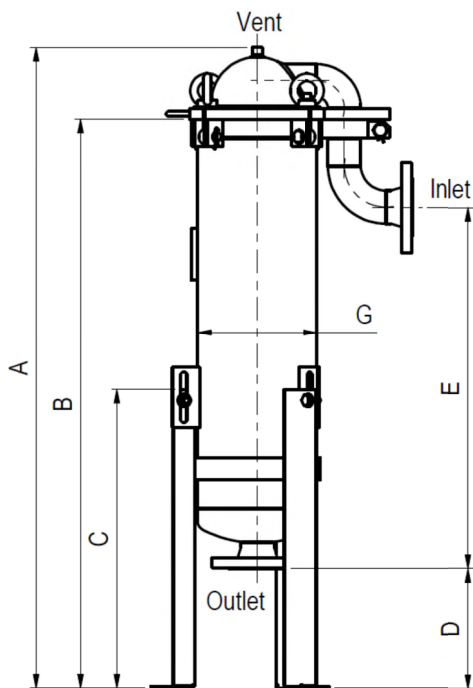
\*Data based on laboratory trial with pure water at ambient temperature and controlled delta p of 0,1 bar. Data may vary depending on specific application and filter bags used.

## Filter housing LT-BFD

### Ordering information

LT-BFD - 1 - 1 - 20 - 304 - 2 - B - ¼ - G - V									
Type	No. of bags	Bag size	P max	Material	Connection size	Connection type	Vent	Surface	Sealing
LT-BFD	1:1	1: Ø 180 L 420mm  2: Ø 180 L 820mm	12 bar	304: SS304 (1.4301) 316L: SS316L (1.4404) Other materials upon request.	2: 2" 50: DN50	B: BSPF S: DIN flange H: ANSI flange	1/4: 1/4" 1/2: 1/2"	G: outside glass pearl blasted, inside pickled E: outside mech. polished, inside pickled H: inside and outside polished	E: EPDM V: Viton S: Silicone B: Buna O: none

### Drawing



Type	A mm	B mm	C mm	D mm	E mm	F mm	G mm	H mm
BFD-1-1-20-xxx-2	807	676	550	220	294	285	219,1	350
BFD-1-1-20-xxx-50	807	676	550	220	294	293	219,1	350
BFD-1-2-20-xxx-2	1177	1046	550	220	664	293	219,1	350
BFD-1-2-20-xxx-50	1177	1046	550	220	664	285	219,1	305