

## Filter housing LT-BFBE

### Features

- Single bag filter housing suitable for different bag types
- Closure design: flat cover with eye bolts
- Available for filter bag sizes 1, 2, 3 and 4
- Different sizes and type of inlet/outlet available
- Material: stainless steel SS304 and SS316L, other upon request
- Surface treatment: glass pearl blasting (standard), e-polishing, mechanical polishing
- Operating pressure: max. 10 bar (fluid media)
- Differential pressure: max. 10 bar for basket and housing, not valid for bags
- Feet adjustable
- Sealing: Viton (standard), EPDM, Buna, others upon request
- Bag support basket included

### Applications

Please check the chemical resistance against your fluid as well as the applicability for your application before usage:

- Water filtration and purification
- Food & beverage industry
- Chemical industry
- Automotive industry
- Paint and varnish industry



Filter housing LT-BFBE size 2

### Technical data

Type	Filter area	Volume	Max. operating temperature	Max. operating pressure	Flow rate*
BFBE-1-1	0,25 m <sup>2</sup>	20 Liter	100°C	10 bar	9 – 15 m <sup>3</sup> /h
BFBE-1-2	0,50 m <sup>2</sup>	31 Liter	100°C	10 bar	12 – 30 m <sup>3</sup> /h
BFBE-1-3	0,09 m <sup>2</sup>	3 Liter	100°C	10 bar	1 – 3 m <sup>3</sup> /h
BFBE-1-4	0,15 m <sup>2</sup>	6 Liter	100°C	10 bar	3 - 6 m <sup>3</sup> /h

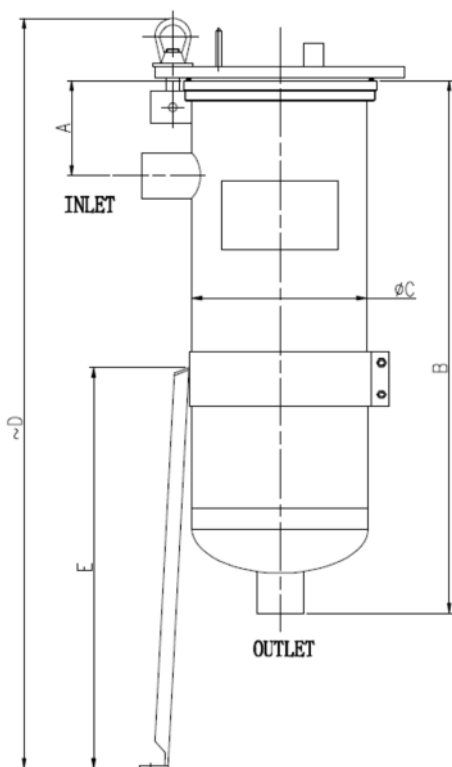
\*Data based on laboratory trial with pure water at ambient temperature and controlled delta p of 0,1 bar. Data may vary depending on specific application and filter bags used.

## Filter housing LT-BFBE

### Ordering information

LT-BFBE - 1 - 1 - 10 - 304 - 2 - B - 1/4 - G - V									
Type	No. of bags	Bag size	P max	Material	Connection size	Connection type	Vent	Surface	Sealing
LT-BFBE	1:1	1: Ø 180 L 420mm  2: Ø 180 L 820mm  3: Ø 100 L 230mm  4: Ø 100 L 380mm	10 bar	304: SS304 (1.4301) 316L: SS316L (1.4404) Other materials upon request.	1: 1" 2: 2" 3: 3" 50: DN50 65: DN/65 80: DN80	B: BSPF S: DIN flange H: ANSI flangep	1/4: 1/4" 1/2: 1/2" 3/4: 3/4"	C: outside glass pearl blasted, inside pickled E: outside mech. polished, inside pickled H: inside and outside polished	E: EPDM V: Viton S: Silicone B: Buna O: none

### Drawing



Type	A (mm)	B (mm)	C (mm)	D (mm)	E (mm)	F (mm)
BFBE-1-1	120	660	219	932	500	385
BFBE-1-2	120	1035	219	1310	500	385
BFBE-1-3	80	410	133	800	500	280
BFBE-1-4	80	550	133	900	500	280

