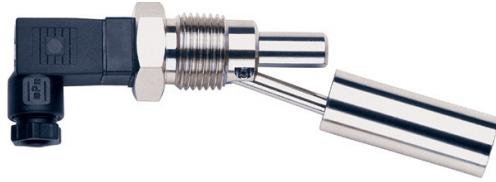


**Product Information**

**Level Switch  
RW-015HKS**

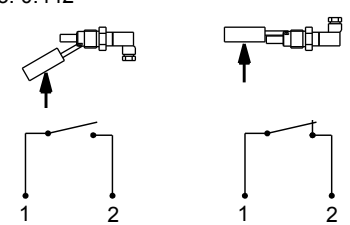


- Highly reproducible
- Normally open or normally closed contact
- Plug connection

**Characteristics**

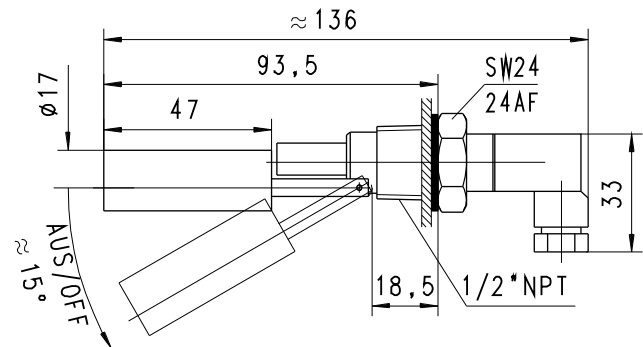
Mechanical level monitor for fluid media, with contact-free triggering of a reed contact.

**Technical data**

<b>Switch</b>	reed switch
<b>Process connection</b>	male thread 1/2"NPT
<b>Density of medium</b>	≥ 0.75 g/cm <sup>3</sup>
<b>Pressure resistance</b>	PN 5 bar
<b>Medium temperature</b>	-20..+120 °C
<b>Ambient temperature</b>	-20..+70 °C
<b>Media</b>	water, oils (aggressive media available on request)
<b>Wiring</b>	normally open (n.o.) No. 0.442 
<b>Switching voltage</b>	max. 50 V AC
<b>Switching current</b>	max. 0.5 A
<b>Switching capacity</b>	max. 25 VA

<b>Protection class</b>	3 - protective extra low voltage
<b>Ingress protection</b>	IP 65
<b>Electrical connection</b>	similar to DIN 43650-C plug contact separation 9.4 mm
<b>Materials medium-contact</b>	1.4301, 1.4436
<b>Non-medium-contact materials</b>	PA
<b>Weight</b>	0.11 kg
<b>Installation location</b>	horizontal installation

**Dimensions**



**Handling and operation**

- It must be ensured that the values given for voltage, current, and power are not exceeded.
- When switched on, a load must be connected in series.
- The electrical details apply to ohmic loads. Capacitive, inductive and lamp loads must be operated using a protective circuit.
- Not suitable for use in media with ferritic particles.

**Ordering code**

RW - 1. 015 2. H 3. K 4. S

<b>1. Connection size</b>	015	threaded connection 1/2 "NPT
<b>2. Process connection</b>	H	screw-in thread
<b>3. Connection material</b>	K	stainless steel
<b>4. Electronic connection</b>	S	plug