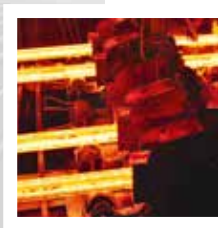
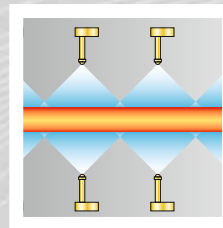
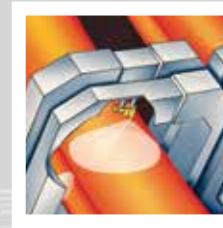
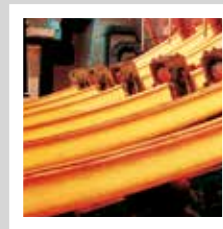


**ENGINEERING  
YOUR SPRAY SOLUTION**



## **Precision Spray Nozzles and Solutions for Secondary Cooling**



**Continuous Casting**

# LECHLER NOZZLES FOR SECONDARY COOLING IN CONTINUOUS CASTING – ECONOMICAL AND EFFICIENT

Lechler is a world leader in nozzle technology. For over 140 years, we have pioneered numerous groundbreaking developments in this field. Comprehensive nozzle engineering know-how is combined with a deep understanding of application-specific requirements to create products that offer outstanding performance and reliability.



## New challenges for the steel industry

Steel producers all over the world are feeling the pressure from new competitors due to the trend of globalization. On the one hand, they are forced to reduce production costs, while on the other they have to meet demands for new high-quality steel grades. In order to succeed in this environment, it is essential that all processes are optimized – including secondary cooling.

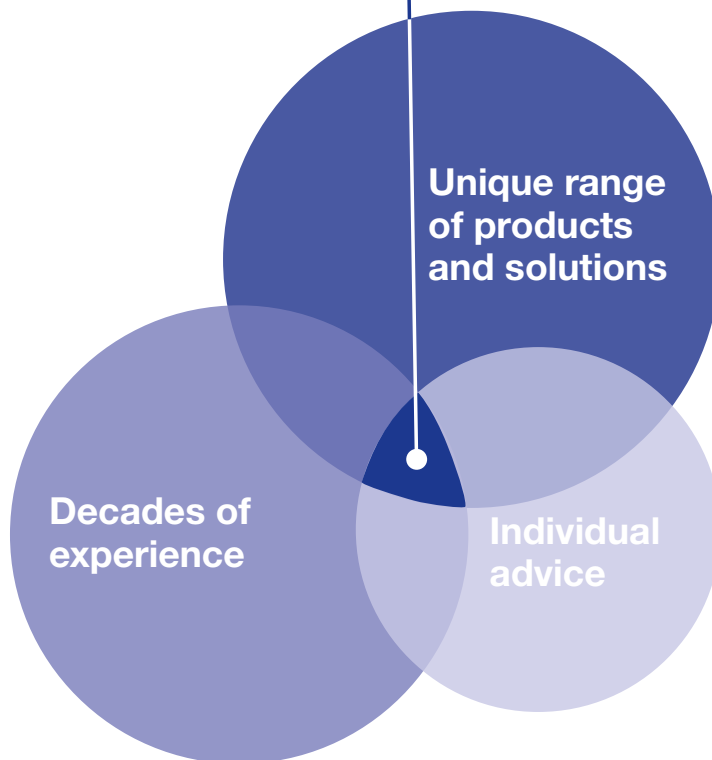
## Intelligent cooling

However, cooling does not always mean just cooling. In the complex field of iron and steel manufacture in particular, numerous different influencing factors have to be taken into account. Different steel grades require individual cooling processes. The same applies for different steel formats. Separately adjusted cooling profiles are required to ensure stress-free cooling of both flat and long product casters.

## Your advantages

- Tailor-made nozzle solutions for billets, blooms and slabs
- Increased casting speed
- Higher productivity
- Extended product range (special steels)
- Longer service life and reduced maintenance costs
- Increased product quality

# THE IDEAL WAY TO OPTIMUM COOLING



## Unique range of products and solutions

The ultimate cooling solution for all requirements does not exist. Instead each process has individual demands for every installation type, every steel format and every steel grade. Due to multiple possibilities, standard solutions are usually not suitable. Therefore we analyse the specific situation of our customers in detail. When selecting the optimum nozzles for a particular application, we take into account numerous parameters such as

- design of the installation
- new nozzle designs
- air-water ratio
- turn-down range of the nozzles
- water distribution
- measurement of the heat transfer coefficient of the nozzles
- new methods of nozzle attachment and new nozzle tube designs



## Decades of experience

In view of the complexity of the task, we always take into account the overall process when developing our solutions. Our know-how and decades of experience in continuous casting form the basis for products and cooling solutions that ensure increased productivity and quality in steel production in the long term.

With subsidiaries in Hungary, the USA, England, India, China, France, Belgium, Sweden, Finland, Italy, Spain and the ASEAN as well as qualified agents in over 40 countries, we are represented all over the globe and will also provide you with on-site support.



## Individual advice

Each customer has his own requirements and goals. That is why we take time to listen first of all. We then clarify any open questions together with you. When developing your custom solution, we use state-of-the-art measuring techniques in order to precisely determine liquid distribution and cooling performance. Close cooperation with our customers is a high priority for us.

**Contact us and let us jointly define the best possible solution for future-oriented secondary cooling.**

CONTENTS	Page
<b>Nozzles and services for Continuous Casting processes</b>	<b>4-5</b>
<b>Nozzle measurement technology</b>	<b>6</b>
<b>HTC and measurement</b>	<b>7</b>
<b>Single fluid vs. air-mist nozzles</b>	<b>8-9</b>
<b>Products</b>	
<b>Twin fluid nozzles</b>	
Billetcooler FLEX®	10-14
Billetcooler FLEX® Oval	15-17
Billetcooler Oval Spray	18-19
Billetcooler Cone Spray	20
Billetcooler Special Flat Gasket and Filter Inserts	21
Slabcooler® ECO	22-25
Mastercooler SMART	26-27
Mastercooler HARD HARD COOLING®	28-29
Slab caster segment piping	30
Split pipe design and tip alignment	31
<b>Single fluid nozzles – flat fan nozzles</b>	
Series 660	32-33
Series 6M2	34-35
Series 664/665	36-37
<b>Flat fan nozzles with increased spray depth</b>	
- Series 600.280	38-39
- Series 600.366	40-41
<b>Single fluid nozzles – full cone nozzles</b>	
Series 490	42-45
Series 486	46-48
<b>Oval cone nozzles</b>	
- Series 400.291	49
<b>Continuous Casting Studies</b>	<b>50-51</b>
<b>Reasons for nozzle replacement</b>	<b>52</b>
<b>Maintenance</b>	<b>53</b>

# NOZZLES AND SERVICES FOR CONTINUOUS CASTING PROCESSES



The main purpose of nozzles in continuous casting processes is the cooling of the strand surface. This spray water cooling is the only controllable part of the secondary cooling process and is therefore a major factor in determining maximum productivity and optimum quality of continuous casting processes.

In the secondary cooling process the spray nozzle arrangement and process parameters determine the characteristics of spray water cooling. The spray nozzle arrangement defines the area on the strand surface where spray cooling occurs. Process parameters such as operating pressures and flow rates determine the cooling intensity and distribution on the strand surface.

Heat extraction from the strand surface is a result of both, nozzle arrangement and process parameters which therefore define the cooling and solidification process. As a premium nozzle manufacturer Lechler does not only supply prime quality nozzles, systems and accessories;

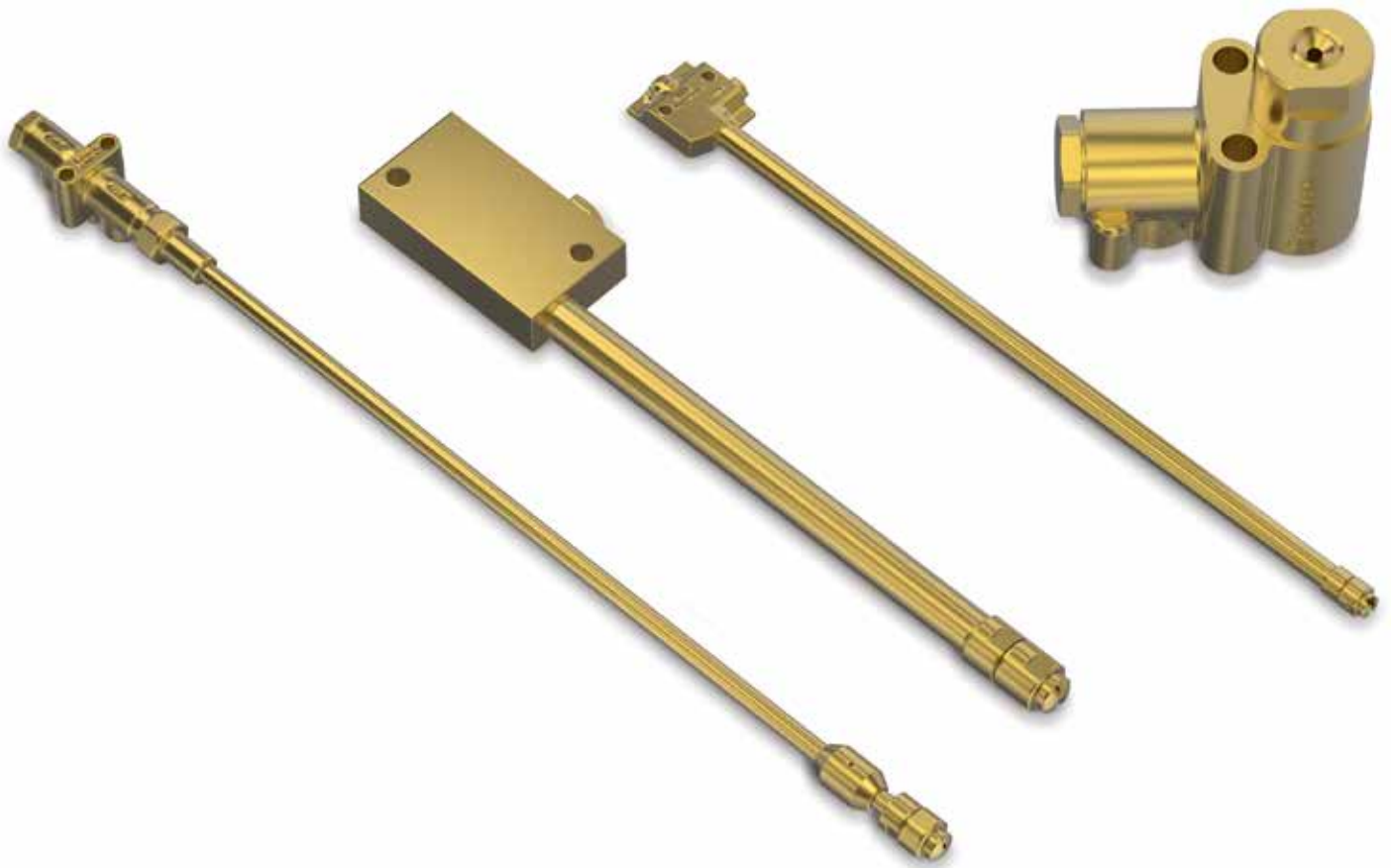
Lechler also provides **detailed engineering and measurement knowledge** and services in the areas of both nozzle arrangement and process parameter optimization.

The optimization potentials in nozzle arrangement include nozzle alignment, header and segment pipe design and liquid distribution optimization for new and existing systems. For process parameters optimization potentials lie in the choice of the atomization type (air-mist or water only), spray kinetics, spray impact and the correlated cooling efficiency (measured surface heat transfer coefficient).

The requirements on secondary cooling of the casting processes are varying with section size and steel grade. Therefore special nozzle types are available to meet the multiple requirements and provide the optimum cooling solution for each secondary cooling system.

In addition Lechler provides capabilities in continuous casting process simulation which can be utilized for secondary **cooling process optimization**, e.g. by optimizing the steel grade specific spray plan or **predicting the maximum casting speed** for an upgraded secondary cooling system.





Therefore Lechler provides a wide choice of products which are suitable for the individual casting processes. For example full cone and oval cone nozzles have been optimized in terms of liquid distribution and flow rates to meet the challenges of long product casting processes.



Also special nozzle series have been developed for long and flat product casting processes:

- **Billetcooler Series** for long product casting
- **Mastercooler Series** for flat product casting
- **Mastercooler Hard-Hard Cooling** for thin slab casting processes
- high quality nozzle technology
- long term experience in the field of secondary cooling
- caster life-cycle support
- process optimization



Secondary cooling zone of billet caster

# NOZZLE MEASUREMENT TECHNOLOGY

## Performance measurements

As a high quality nozzle manufacturer Lechler laboratories have developed special techniques to produce reliable data on nozzle parameters which are crucial in terms of secondary cooling. Lechler laboratories are therefore equipped with measurement techniques to measure flow rates, liquid distribution and spray impact for all typical nozzle arrangements of continuous casting processes.

## Flow rates

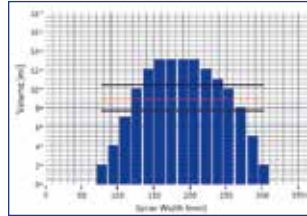
Multiple high precision facilities are available to measure pressure and flow rate of water.

## Liquid distribution

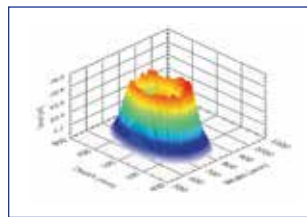
It is the spray nozzle manufacturer's task to design nozzles providing the desired water distribution over the entire turn down ratio. In a slab caster the uniformity of the water distribution across the entire strand surface is essential for good quality slab for all water and air operating pressures.

In billet and bloom casters also the spray water distribution needs to be controlled to avoid over- or undercooling of the strand surface. Multiple measurement facilities are available at Lechler for measurement of all typical secondary cooling configurations for single and multi nozzle setups with varying resolutions to match our customers' demands.

In addition to the well proven dynamic distribution measurement method, which



Example of dynamic liquid distribution measurement

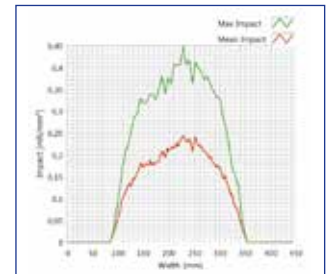


Example of 3-D liquid distribution measurement

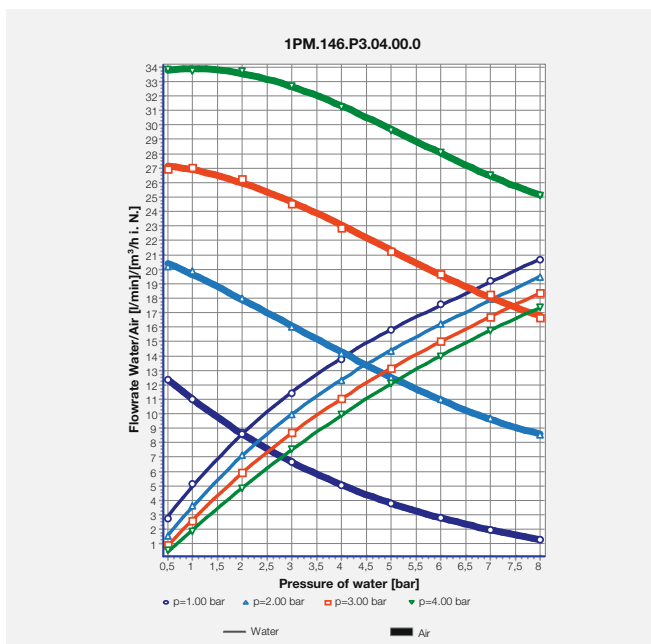
determines the total liquid distribution profile of a nozzle on the strand surface as a function of the strand width, Lechler laboratories are equipped to measure the 3-D liquid distribution profile, identifying the exact local spray density in each position of the nozzle spray.

## Spray impact

There are also additional factors influencing the cooling efficiency such as the air-water ratio, the water turn down ratio or the spray foot print of the spray nozzles. One method to estimate the cooling efficiency is the measurement of the spray nozzle impact on the strand surface. Therefore Lechler provides sophisticated technology to measure the local impact for each position in the nozzle spray with a high resolution even for low flow rates of secondary cooling nozzles quantifying the force applied by the spray on the surface for all defined operating conditions.



Example of low pressure impact measurement



Pressure - flow rate diagram of air-mist nozzle (Mastercooler type)



Liquid distribution measurement

- Precise pressure and flow rate measurement of varying fluids
- High definition 3-D liquid distribution measurement
- Dynamic liquid distribution measurement for multi-nozzle layouts
- High definition pressure impact measurement

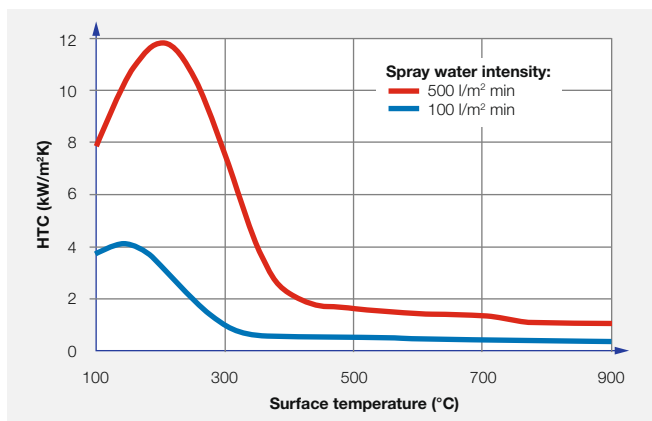
# HEAT TRANSFER IN SECONDARY COOLING AND HTC MEASUREMENT

Since the main „task“ of spray nozzles in continuous casting is cooling, the most important characteristic of a nozzle spray is the cooling efficiency which is often quantified by the heat transfer coefficient (HTC).

The heat transfer between nozzle spray and high temperature surfaces is a complex mechanism and a result of many factors such as

- surface condition (temperature, material, scale formation, roughness)
- spray kinetics on surface
  - water distribution and density (spray height, spray angles, flow rates)
  - local droplet size and speed (flow rates, pressures, spray height, nozzle type, spray angles, spray direction, interference between sprays)
- spray water temperature

For example the effect of the surface temperature on the HTC is shown for 2 different spray intensities in the picture. The effect of the surface temperature is reduced for high temperatures due to the Leidenfrost effect.



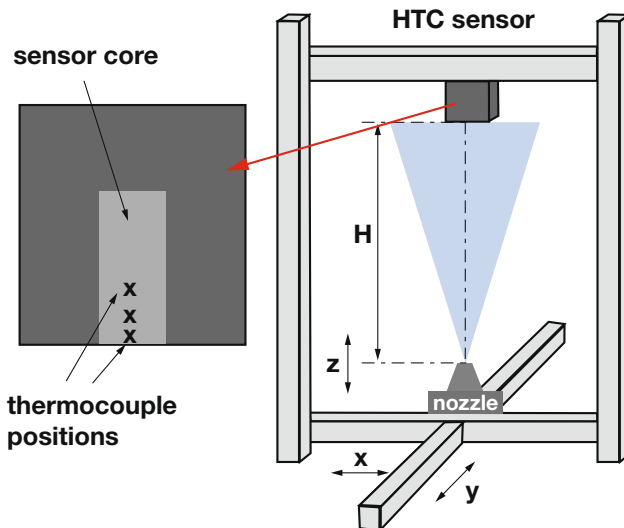
Effect of surface temperature and spray intensity on HTC

Therefore many models assume a constant heat transfer above Leidenfrost which mainly varies as a function of the spray water density.

Several approaches exist to characterize the heat transfer as a function of all these parameters. However the most accurate way is the actual testing of the cooling efficiency either on a caster or in a laboratory.

Lechler has a long experience in investigations of the cooling efficiency resulting from long term cooperation with multiple national and international research centres, OEMs and steel plants.

In cooperation with various institutes and universities Lechler has carried out extensive heat transfer tests with varying nozzle types and varying testing procedures. One of the tested methods for HTC measurement consists of a sensor which is measuring the local temperature drop in the spray. The sensor scheme shown in the picture illustrates this basic principle.

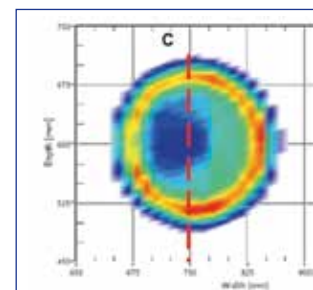
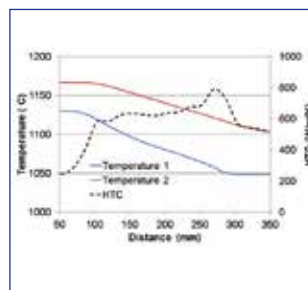


Scheme of HTC measurement method

As a result the local HTC can be calculated for constant nozzle operation (flow rates, pressures, spray height) and boundary conditions of the sensor (initial temperature, casting speed) based on the temperature profile of the sensor as shown in the picture below. These calculated HTC values can be used to predict the general cooling efficiency of the nozzle. A correlation of the water distribution profile for the same conditions with the calculated HTC values gives a complete picture of

the interaction between spray water density, spray kinetics (e.g. defined by pressures, spray height and impact angle) surface temperature and HTC.

Lechler can provide assistance in characterising the nozzles cooling efficiency either based on the long experience in nozzle technology and continuous casting processes or based on experiments in cooperation with our partners from research and industry.



Measured temperatures and calculated local HTC (left) and spray water distribution profile with indicated measurement positions (right)

# SINGLE FLUID AND AIR-MIST NOZZLE TECHNOLOGY

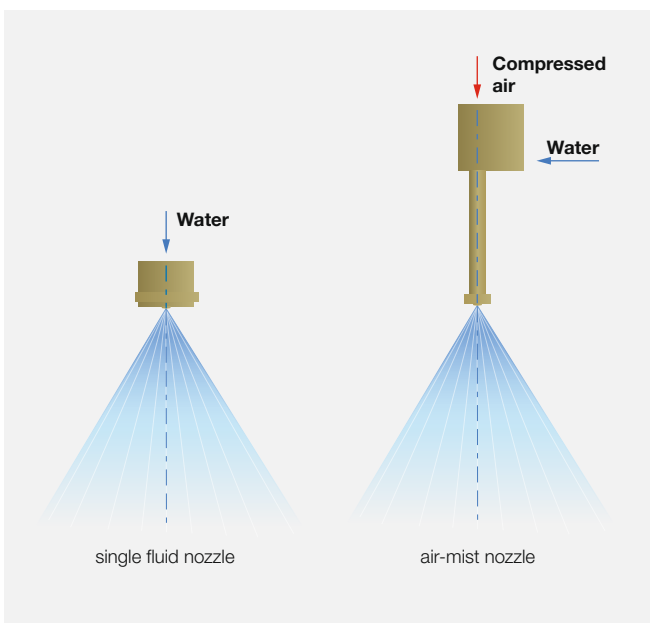
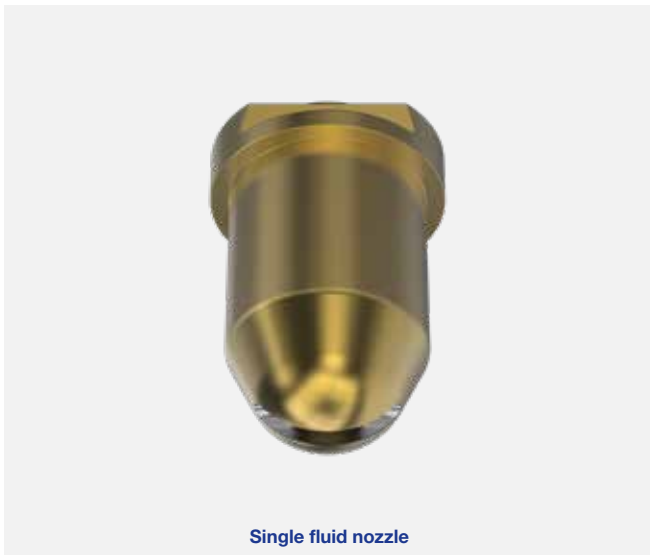
The first secondary cooling systems for continuous casting machines have utilized single fluid spray nozzles. From these first approaches the nozzle technology has been improved although many machines are still running on water only achieving high productivity and high quality. However most modern continuous casting machines require high flexibility in terms of steel grade and section size variation. Since this high

flexibility is also required from the secondary cooling system, most of these casters are equipped with air-mist nozzles.

The main advantage of Lechler air-mist nozzles compared to single fluid nozzles is an increased water turndown ratio. The water turn down ratio is calculated from the flow rate at maximum operating water pressure (typically 7 bar) divided by the flow rate

at minimum operating water pressure (typically 0.5 bar for air-mist nozzles and 1 bar for single fluid nozzles). Within these operating pressures the nozzles show a stable spray water distribution. Typical air-mist nozzles show water turndown ratios from 10-30 while the ratio of single fluid nozzles is typically limited to 2.6-3.7. This increased ratio provides a higher flexibility in terms of heat transfer variation.

Since air-mist nozzles operate with compressed air in addition to water the required free cross sections to provide the same water flow rate are increased compared to single fluid nozzles. The increased free cross sections are less prone to internal nozzle clogging caused e.g. by poor spray water quality and as such show increased nozzle lifetime and reduced maintenance workload.



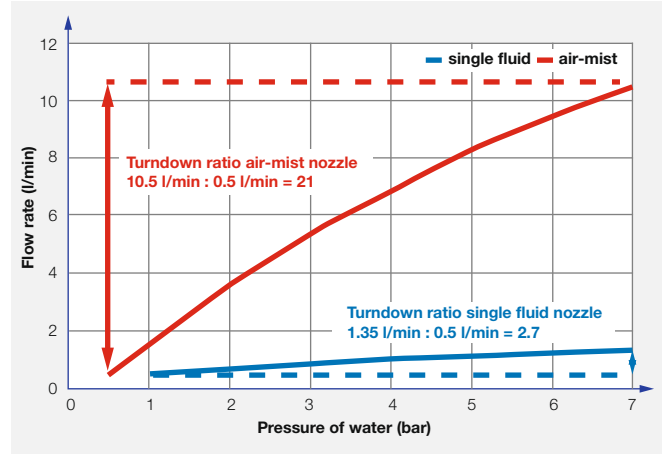
Single fluid Cooling	Air-mist Cooling
Water flow turndown ratio $\approx 3.7 : 1$ maximum	Water flow turndown ratio $\approx 30 : 1$ maximum
Small cross sections	Large cross sections
Clogging tendency increased	Clogging tendency is minimised
Major spray angle varies with water pressure	Constant spray angles
Uneven liquid distribution	Even liquid distribution
Heat extraction capability is limited	Higher heat extraction capabilities
Limited casting speed range for ideal solidification conditions	Provides a wide casting speed range for ideal solidification conditions
Can restrict the range of steel grades which can be cast on one casting machine	Permits a wide range of steel grades to be cast on one casting machine
Requires larger water flows than air-mist, less costly installation	Requires less water flows than single fluid, more costly installation



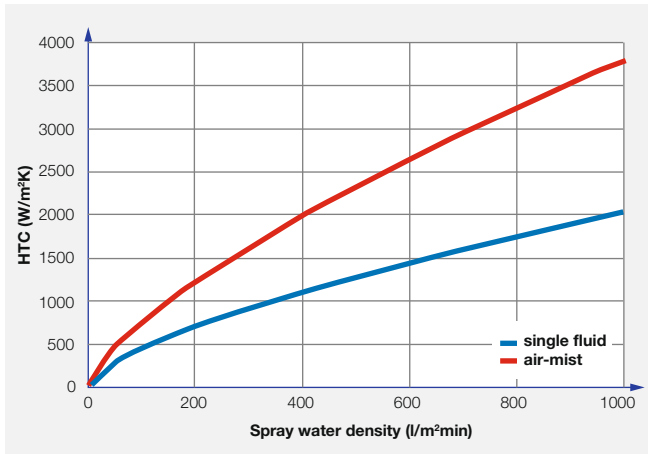


Due to the spray kinetic resulting from the interaction between water and air the spray angle of an air-mist nozzle is generally more stable with varying water pressure compared to single fluid nozzles. This also results in a more even liquid distribution of the spray water on the strand surface. Air-mist nozzles for slab casting machines are especially designed to provide an even liquid water distribution to the strand surface for all specified operating conditions.

Comparison of air-mist (top) and single fluid (bottom) nozzle tip geometry for same nozzle size



Comparison of turn down ratio single fluid vs air-mist nozzle



Comparison of HTC of single fluid vs air-mist nozzle

Most Lechler air-mist spray nozzles for secondary cooling benefit from an increased spray kinetic energy which results in an increased heat extraction compared to single fluid nozzles for the same spray water intensity. This increased heat transfer coefficient allows the same heat to be extracted from the strand with a reduced amount of spray water. Also the effect of the spray water temperature on the heat transfer coefficient is reduced with air-mist nozzles.

**As a result of those benefits air-mist nozzles are most suitable for continuous casting machines which require a high casting speed range, a wide range of steel grades and multiple section sizes.**

With today's standard diameters of up to 1,000 mm, bloom casters place significantly higher demands on cooling compared to smaller formats.

New steel grades and increasing format sizes are significantly more susceptible to cracking and demand much more homogeneous cooling with reduced water flow rates.

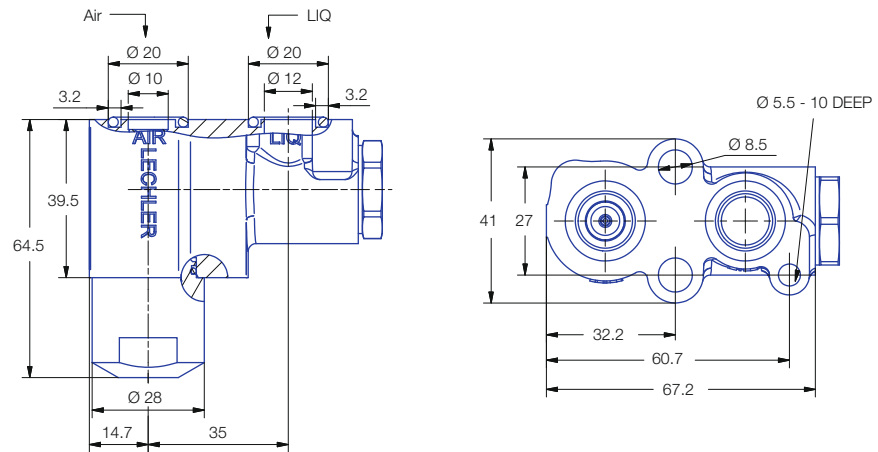
Secondary cooling in continuous casting machines for long products normally consists of several cooling zones. The nozzle arrangement is usually defined for a specific format range. In order to permit casting of different steel grades under these conditions, the nozzles themselves must have a wide operating window.

Conventional air-mist nozzles quickly reach their limits here. The degree of cooling is determined above all by the flow rate of the cooling water, which is adjusted by means of the water pressure. In the past, however, the spray geometry usually also changed with the water pressure.

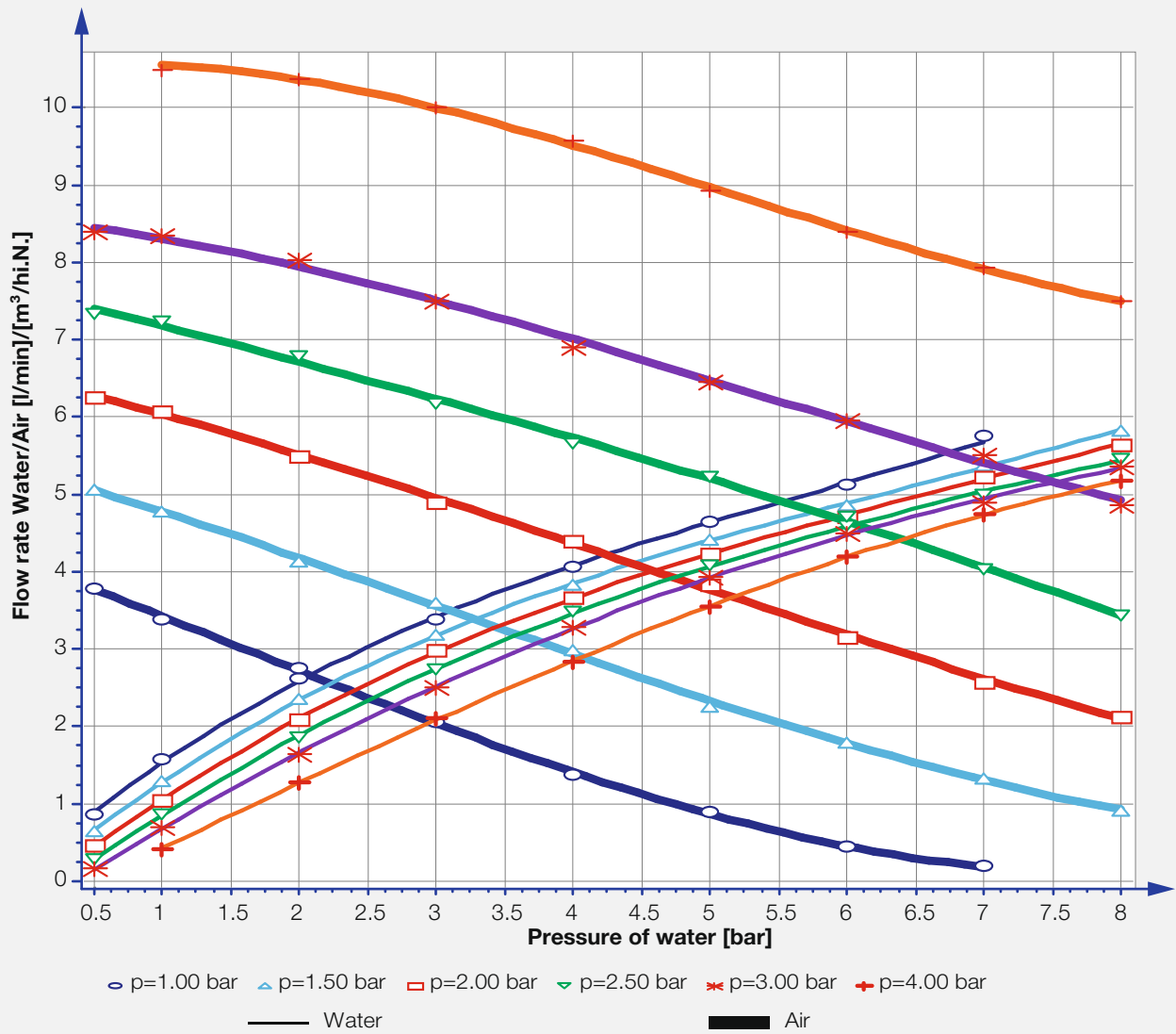
A changed spray angle led to a change in the liquid distribution – and thus to non-uniform cooling.

On newer bloom formats with larger cross section in particular, this can result in surface stresses and even cracks in the finished product.

Our goal was therefore to develop a nozzle that guarantees a stable spray angle over the entire turn-down ratio, thereby ensuring optimum cooling.



For detailed information and feature videos, please refer to [www.billetcooler-flex.com](http://www.billetcooler-flex.com)



Typical pressure-flow rate diagram of a **Billetcooler FLEX**® nozzle. The large turn-down ratio of 1:10 (0.5 to 5 l/min) can be clearly seen in the lower curves for water.

The adjacent figure demonstrates the flexibility of the new **Billetcooler FLEX®** 60° spray angle. For an example nozzle size, the excerpt shows the adjustable liquid distributions as a function of the flow rates with indication of the respective air pressures.

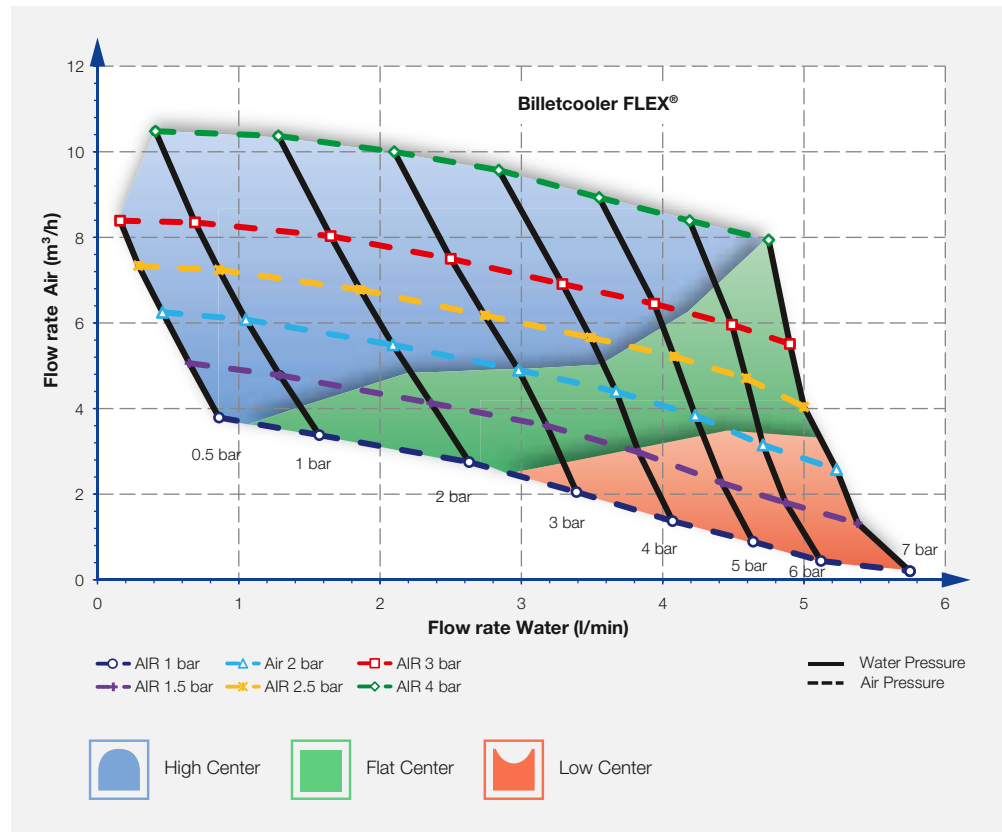
The liquid distribution can be controlled by appropriate selection of the air pressures for comparable water flow rates. As described on the previous page, this allows the local cooling to be adapted to the process-specific requirements.

It is possible to easily see from the diagram how a large operating range can be covered with varying air and water supply pressures.

The colored areas represent the different spray characteristics of the nozzle.

In the blue area (High Center), the liquid distribution is centered and decreases towards the edge of the spray.

The green area (Flat Center) is characterized by homogeneous liquid distribution, while the spray characteristic in the red area (Low Center) is similar to a hollow cone nozzle with ring-shaped distribution.



Typical flow distribution chart of a **Billetcooler FLEX®** 60° spray angle

# Flexible water flow rate – stable spray angle

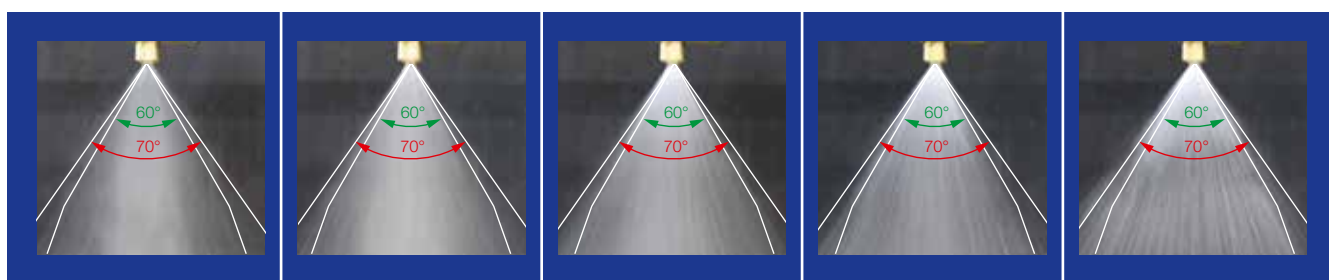
The new **Billetcooler FLEX®** nozzle is characterized by its constant spray angle over the entire turn-down range.

We offer three different nozzle sizes, each with a turn-down ratio (min./max. water flow rate) of 1:10.

Lechler therefore covers the requirements of most bloom and billet casters with just three standard nozzles.

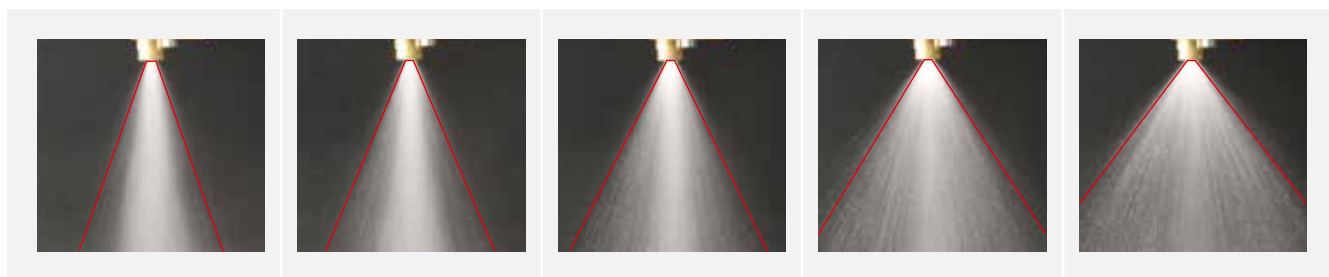
This minimizes the number of different nozzles, reduces logistics costs and helps to avoid maintenance mistakes.

## BILLETCOOLER FLEX



Typical example for 60° version


### Conventional nozzle



0.5 bar	1 bar	3 bar	5 bar	7 bar
---------	-------	-------	-------	-------

At varying water pressures and with a constant air pressure of 2 bar, the spray coverage of the **Billetcooler FLEX®** (top row) is much more homogeneous than with conventional nozzles (bottom row).

## Technical specifications

Spray angle 	Type	Nozzle size	Min. water flow rate [l/min]	Max. water flow rate [l/min]	Narrowest free cross-section [mm]		Material		Weight
					Water	Air	Nozzle	Gasket	
45°	<b>1PM.150.30.33</b>	<b>0.80</b>	0.3	3.0	1.40	1.40	Brass	Viton	0.9 kg
	<b>1PM.150.30.35</b>	<b>1.25</b>	0.5	5.0	1.90	1.90	Brass	Viton	0.9 kg
	<b>1PM.150.30.38</b>	<b>2.00</b>	0.8	8.0	2.15	2.15	Brass	Viton	0.9 kg
60°	<b>1PM.150.30.03</b>	<b>0.80</b>	0.3	3.0	1.35	1.35	Brass	Viton	0.9 kg
	<b>1PM.150.30.05</b>	<b>1.25</b>	0.5	5.0	1.90	1.90	Brass	Viton	0.9 kg
	<b>1PM.150.30.08</b>	<b>2.00</b>	0.8	8.0	2.20	2.15	Brass	Viton	0.9 kg
90°	<b>1PM.150.30.93</b>	<b>0.8</b>	0.3	3.0	1.45	1.45	Brass	Viton	0.9 kg
	<b>1PM.150.30.95</b>	<b>1.25</b>	0.5	5.0	1.9	1.9	Brass	Viton	0.9 kg

For detailed technical information, please contact us. We will provide you the complete technical nozzle documentation.

# Billetcooler FLEX® – advantages and benefits

## Stable spray angle

The **Billetcooler FLEX®** is characterized by its constant spray angle over the entire turn-down range.

➤ **No strand overcooling or undercooling**

## Flexible cooling

With **Billetcooler FLEX®**, the water distribution can be individually adjusted for different formats.

➤ **Optimum cooling guaranteed at all times**

## Large free cross-sections

Blockage-resistant and maintenance-friendly thanks to very large free cross-sections for air and water.

➤ **High operation reliability**

## New design

All nozzle variants of the **Billetcooler FLEX®** have a forged, space- and weight-saving nozzle body.

➤ **Maintenance-friendly design**

## Lower air consumption

Thanks to the new nozzle design, the **Billetcooler FLEX®** requires less compressed air than simpler air-mist nozzle designs and therefore helps to improve the energy efficiency of the overall installation.

➤ **Saves operation costs**

## Low noise emissions

Compared with conventional nozzles for secondary cooling, the **Billetcooler FLEX®** reduces noise emissions by up to 15 dB.

➤ **Improved work safety**



For detailed information and feature videos, please refer to [www.billetcooler-flex.com](http://www.billetcooler-flex.com)

# Billetcooler FLEX® Oval

## Billetcooler FLEX® Oval

With this new nozzle type it is possible to utilise air-mist cooling in billet and bloom casters very effectively. The nozzle features a turn down ratio as wide as 16 : 1, combined with a very stable spray angle in both spray width and spray depth direction over the entire turn down ratio (water pressure between 0.4 and 7 bar at 2 bar constant air pressure).

The oval cone spray footprint provides the option to cool a large area of the strand with one nozzle spray only. Extremely large free passages compared to water only and competitor air-mist nozzles result in a reduced nozzle clogging tendency.

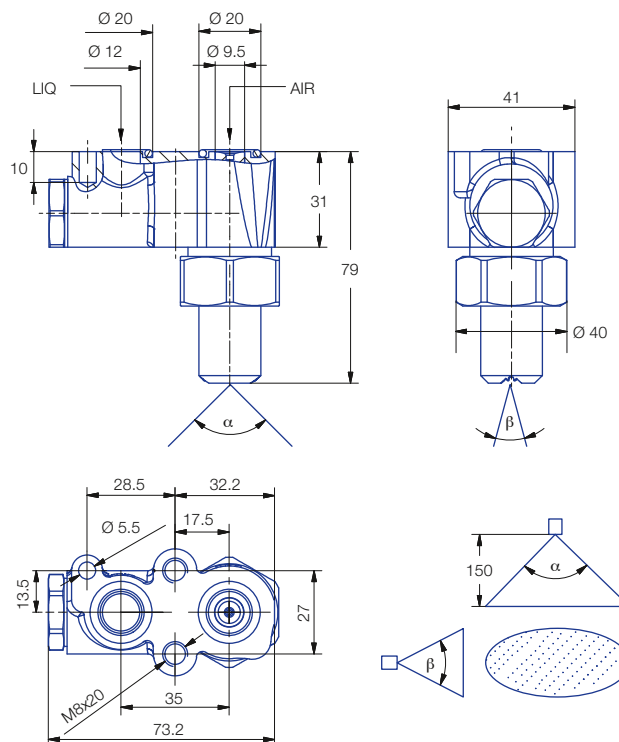
Conventional air-mist nozzles quickly reach their limits here. Undesired spray angle variations causing non-uniform cooling resulting in strand surface stresses and cracks can often be observed.

With the **Billetcooler FLEX® Oval** a stable spray angle over the entire turn-down ratio, providing an optimum cooling, is guaranteed.



Nozzle type	Min./Max. water flow rate	Operating water pressure	Max. air flow rate	Operating air pressure	Spray angle	Narrowest free cross section Water/air
<b>Billetcooler Flex® Oval</b>	0.3–5.0 l/min	0.4–7 bar	6.2 m³/h	2 bar	α 90 ° (wide) β 60 ° (deep)	1.9 mm/ 1.9 mm

Benchmark data only, individual nozzle data to be specified



# Flexible water flow rate – stable spray angle

The new **Billetcooler FLEX®** **Oval** nozzle is characterized by its constant spray angle

over the entire, large turndown ratio (min./max. waterflow rate) of 1:16.

This minimizes the required number of different nozzles, reduces logistics costs and

helps to avoid maintenance mistakes.

## Billetcooler® Flex Oval



Spray width angle 90°



Spray depth angle 60°





# BilletCooler FLEX® Oval – advantages and benefits

## Stable spray angle

The **Billetcooler FLEX® Oval** is characterized by its constant spray angle over the entire turn-down range.

➤ **No localized strand overcooling or undercooling**

## Large free cross-sections

Blockage-resistant and maintenance-friendly thanks to very large free cross-sections for air and water.

➤ **High operation reliability**

## Lower air consumption

Thanks to the new nozzle design, the **Billetcooler FLEX® Oval** requires less compressed air than simpler air-mist nozzle designs and therefore helps to improve the energy efficiency of the overall installation.

➤ **High operation reliability**

## Wide turn down ratio

➤ **Process: Higher operation safety with only one nozzle type in all cooling zones**

➤ **Logistics: Reduced number of different nozzle types in ware house saves costs**

## Compatible Interface

Plug and Spray due to identical water and air connections.



# Billetcooler Oval Spray

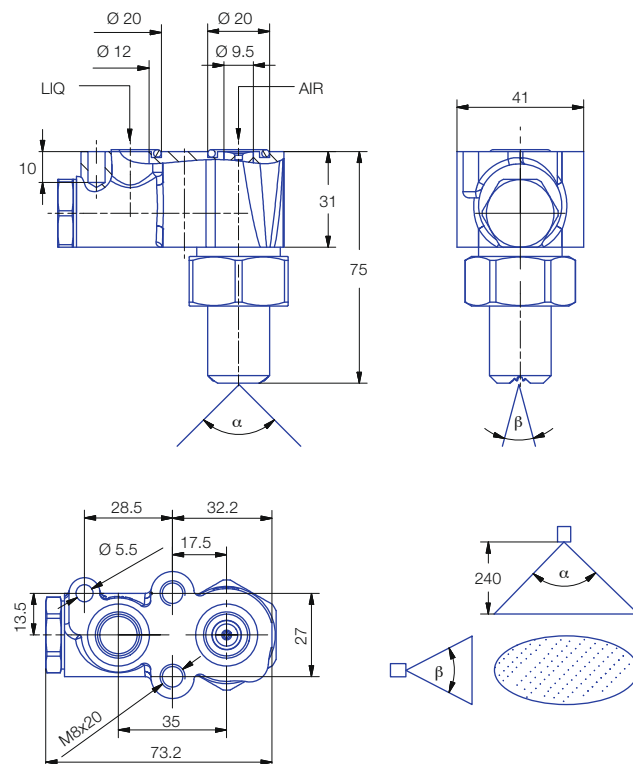
## Billetcooler air-mist nozzles

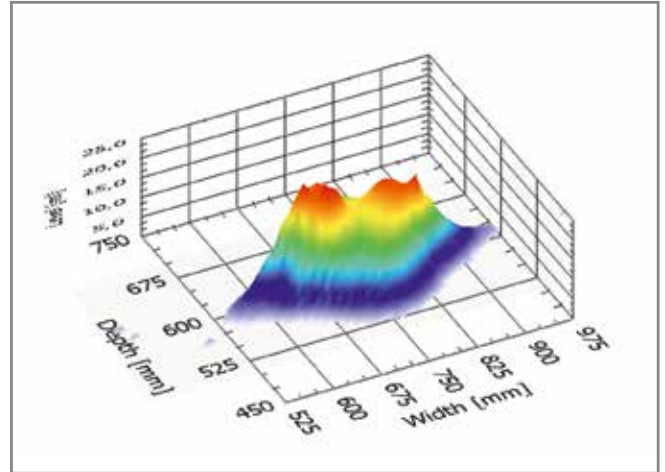
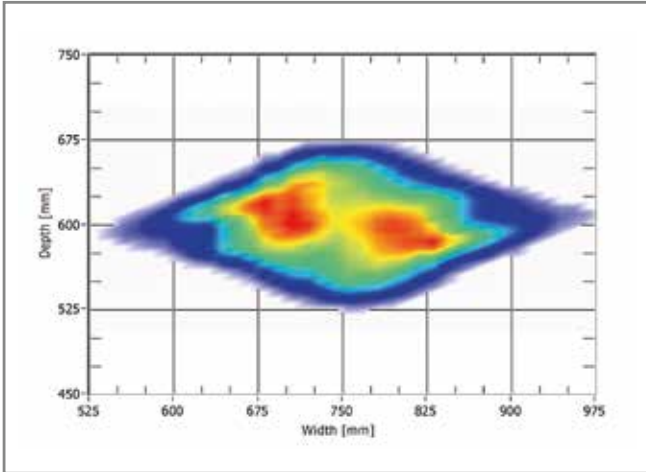
With this nozzle type it is possible to utilise air-mist cooling in billet and bloom casters very effectively. The compact block design allows mounting either on horizontal spray rings but also on vertical nozzle headers. A turn down ratio as wide as 10 : 1 is standard at water pressures between 0.5 and 7 bar at 2 bar constant air pressure provides a wide range of cooling intensities. The oval cone spray footprint provides the option to cool a larger area of the strand with one nozzle spray only thus increasing the cooling efficiency. Various angles for spray width and spray depth are available to compensate for different spray heights and meet the requirements of the individual machine types. Large free passages compared to water only and competitor air-mist nozzles result in a reduced nozzle clogging tendency. Billetcooler oval cone nozzles cover a flow rate range from 0.4 to 12.4 l/min.



Nozzle type	Max. water flow rate	Operating water pressure	Max. air flow rate	Operating air pressure	Spray angle
<b>Billetcooler oval</b>	12.4 l/min	0.5–7 bar	12.2 m³/h	1–4 bar	60/90 ° (wide) 30/45 ° (deep)

Benchmark data only, individual nozzle data to be specified





Liquid distribution Billetcooler Oval

### The benefits

- High turn-down ratio (min./max. flow rate) 10:1 (max. 14:1) for high flexibility and extended product (steel grade) mix, reduces the number of different nozzle types in the machine
- Compressed air consumption reduced by appr. 40% for low investment and operation costs
- High Heat Transfer Coefficient (HTC) for high casting speeds
- Compact design ideal for spray rings and vertical headers
- Plate connection for easy and maintenance friendly mounting
- Large free passages prevent clogging for high operation safety with improved plant availability
- Successfully installed in most long product air-mist cooling systems worldwide
- Reduced maintenance costs

# Billetcooler Cone Spray

## Billetcooler air-mist nozzles

With this nozzle type it is possible to utilise air-mist cooling in **billet** and **bloom** casters for **rounds** very effectively. The compact block design allows mounting either on horizontal spray rings but also on vertical nozzle headers. A turn down ratio as wide as 10 : 1 is standard at water pressures between 0.5 and 7 bar at 2 bar constant air pressure provides a wide range of cooling intensities.

The cone spray footprint distributes the liquid more towards the edges thus avoiding overcooling of the area beneath the nozzle position. The characteristic is often utilized for a round product casters. Various angles are available to compensate for different spray heights and meet the requirements of the individual machine types. Large free passages compared to water only and competitor air-mist nozzles result in a reduced nozzle clogging tendency. Billetcooler cone spray nozzles cover a flow rate range from 0.4 to 8 l/min.

### The benefits

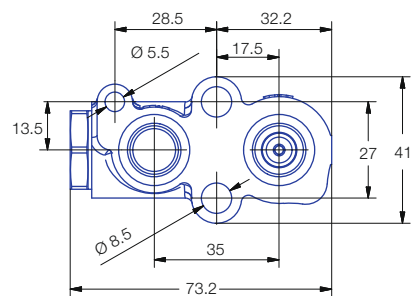
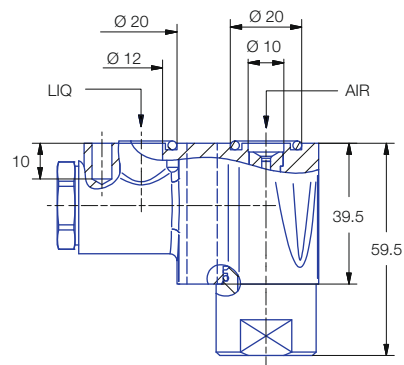
- High turn-down ratio (min./max. flow rate) 10:1 (max. 14:1) for high flexibility and extended product (steel grade) mix, reduces the number of different nozzle types in the machine
- Compressed air consumption reduced by appr. 40 % for low investment and operation costs
- High Heat Transfer Coefficient (HTC) for high casting speeds



Nozzle type	Max. water flow rate	Operating water pressure	Max. air flow rate	Operating air pressure	Spray angle
<b>Billetcooler cone spray</b>	8 l/min	0.5–7 bar	8.8 m³/h	1–4 bar	45°/60°/90°

Benchmark data only, individual nozzle data to be specified

- Compact design ideal for spray rings and vertical headers
- Plate connection for easy and maintenance-friendly mounting
- Large free passages prevent clogging for high operation safety with improved plant availability
- Successfully installed in most long product air-mist cooling systems worldwide
- Reduced maintenance costs



# Billetcooler Special Flat Gasket and Filter Inserts

## Special Flat Gasket

Unlike in slab casters the entire air-mist nozzles for secondary cooling in billet and bloom casters can be exposed to high temperatures because of the mounting in closer proximity to the strand. The special gasket should be used in combination with the Billetcooler nozzles if longer periods without any secondary cooling spray water on will occur during normal operation. In this case the high temperature resistant special flat gasket replaces the standard Viton o-rings.

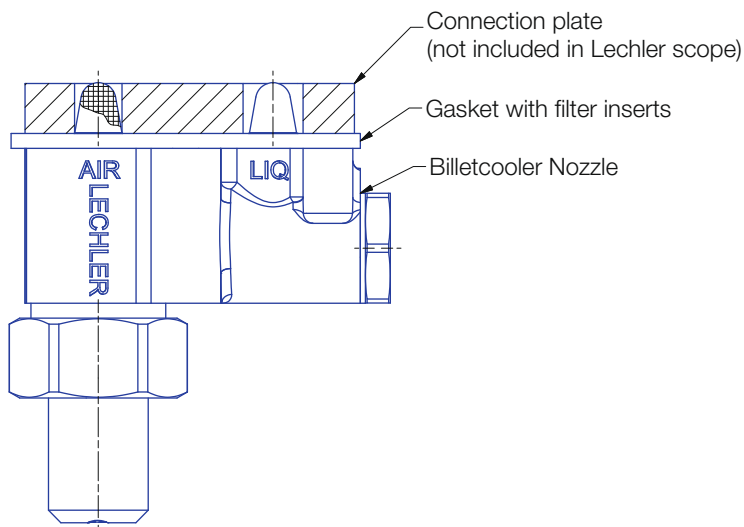
## Filter inserts for water and compressed air

The identical filter inserts have been designed for the use in combination with the special flat gasket only. The filters protect the Billetcooler internal and the nozzle tip from clogging. Solid particles being carried into the nozzle by either polluted cooling water or compressed air will be kept away. Nevertheless, a sufficient filtration of both fluids is still essential for a trouble free cooling operation and good product quality.



Item	Ordering no.	Material	Mesh size
<b>Gasket only</b>	1PM.021.L1.20.09.0	Novaphit SSTC	–
<b>Gasket with 2 filter inserts</b>	1PM.021.L1.20.80.0	Novaphit SSTC/304 L	–
<b>Filter only</b>	095.016.1D.15.46.0	304 L	280 Micron (55 Mesh)

Gasket and filters suitable for all standard Billetcooler nozzle types



# SLABCOOLER® ECO – The Energy Saver!

## Energy Efficiency for Slab Casters

Consumption of compressed air is the main cost driver in operating air mist secondary cooling systems in slab casting. With conventional air mist nozzles the consumption of compressed air and hence energy is very high – especially at low casting speeds when water flow rates are low. In order to reduce the compressed air consumption Lechler has developed the Slabcooler nozzle already for the first generation of thin slab casters whilst the conventional Lechler Mastercooler nozzles were mainly applied in thick slab casting.

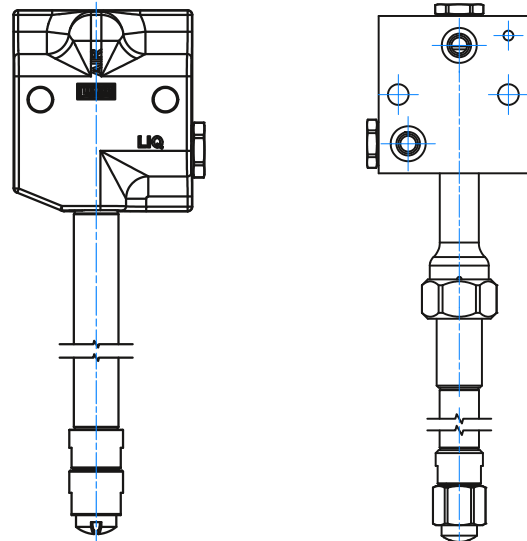
The Lechler Slabcooler® ECO air mist nozzle takes the proven concept of the Lechler Slabcooler to the next level and meets the increasing demand for energy efficient secondary cooling in slab casting. With its enhanced flexibility of the cooling capacity the Slabcooler® ECO provides equivalent spray performance in terms of spray characteristics from min. to max. water pressure whilst the consumption of compressed air has been reduced significantly compared with a Mastercooler nozzle of identical size.

HTC tests at the University of Leoben have confirmed almost identical cooling rates at maximum operating pressures and flow rates. In fact, the turn down ration has been extended by reducing the min. water flow rate providing additional flexibility in existing installations.



Based on these results a conversion of existing slab caster secondary cooling systems to the Slabcooler® ECO technology offers the potential of maintaining the existing maximum productivity while increasing the cooling flexibility and reducing the average secondary cooling compressed air consumption by approximately 30 %.

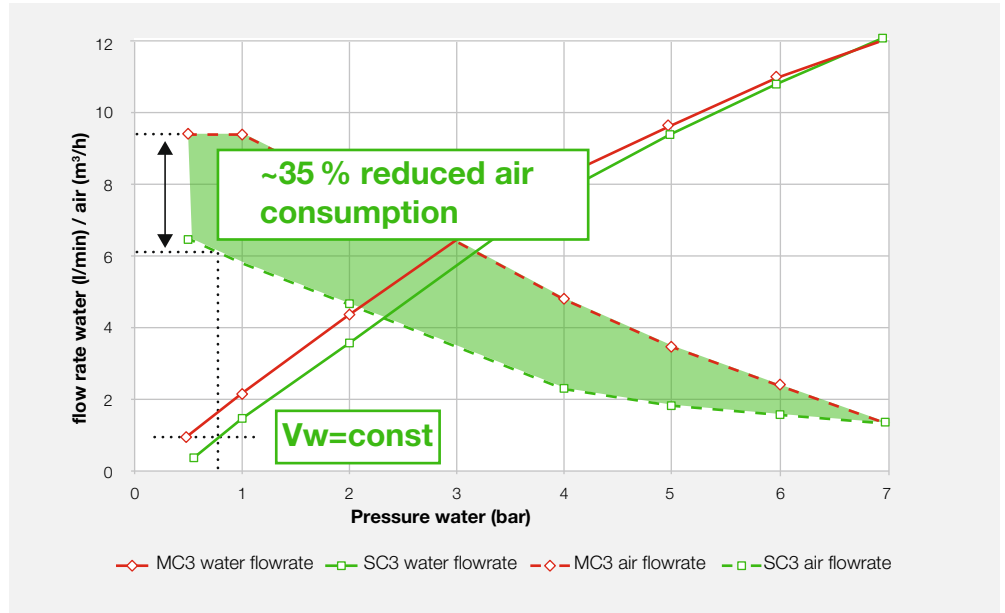
A segment can easily be converted to the Slabcooler® ECO where Lechler Mastercooler (or equivalent) nozzle are being installed as only small modifications to the existing segment piping are required.



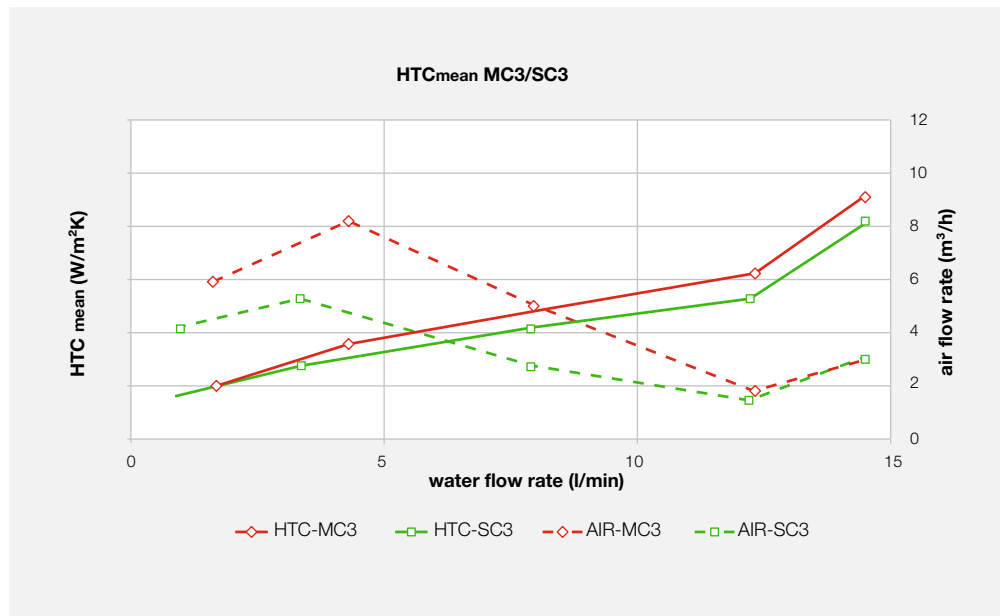
The energy saving potential for each caster is depending on the caster dimensions and mainly on the present air consumption. As an example, a maximum compressed air capacity for a 2-strand slab caster of 16,000 m<sup>3</sup>/h (8,000 m<sup>3</sup>/h per strand) is assumed. The average air consumption was calculated to be 50 % of the maximum capacity (4,000 m<sup>3</sup>/h per strand) whilst the operating time was assumed to be 20 hours per day on 300 days per year. As a result, the yearly air savings potential of 30 % of the average compressed air consumption would amount to approximately 14,400,000 m<sup>3</sup>/year when installing the Slabcooler<sup>®</sup> ECO. Depending on the individual characteristics of each caster the air savings potential in terms of compressed air consumption, related energy costs and CO<sub>2</sub> emission can be very substantial. The return on investment (ROI) for new nozzles and the installation is normally below 12 month.



### Mastercooler (MC 3) and Slabcooler<sup>®</sup> ECO (SC 3) Air Consumption



### Mastercooler (MC 3) and Slabcooler<sup>®</sup> ECO (SC 3) HTC and Air Consumption



# SLABCOOLER® ECO – advantages and benefits

## Reduced Compressed Air Consumption (TCO)

- Reduced Energy Consumption
- Reduced Operation Costs
- Reduced CO<sub>2</sub> Emission
- "Green Steel" Production

## Excellent Cost/Performance Ratio

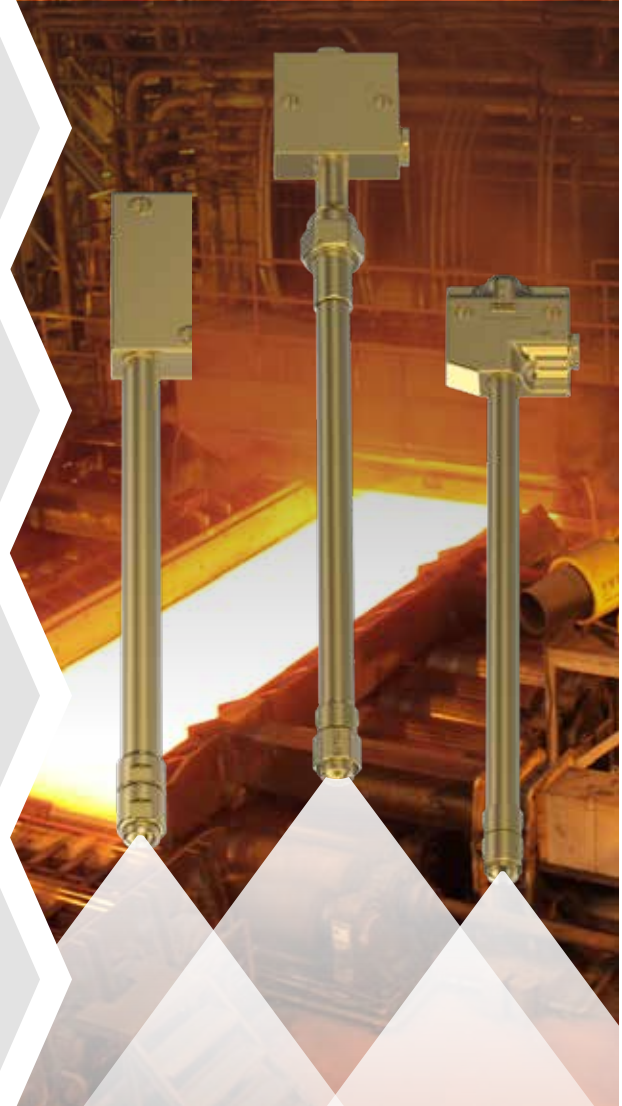
- ROI << 1 Year

## Plug And Spray

- No modification of segment piping required
- Conversion during regular segment maintenance
- Change back to Status Quo possible

## Well Proven Concept

- High operation safety







### Slabcooler® ECO = Savings<sup>5</sup>

The Lechler Slabcooler® ECO is not only an energy saver due to much lower consumption of compressed air. It thereby saves significantly CO<sub>2</sub> emissions and operation costs for provision of compressed air. It is also a time and risk saving revamp due to plug and spray (exchange of nozzles only) as no major segment piping modifications are required and, if desired, can be built back to existing status quo with no additional effort.

#### ROI calculation example for 1 x strand slab caster

Feature	Conventional Airmist Nozzle	Slabcooler® ECO	Comment
<b>Air Consumption per strand</b>	4,000 m <sup>3</sup> /h	2,800 m <sup>3</sup> /h	(30 % saving)
<b>Operating Time</b>	20 h/day & 300 days/year	20 h/day & 300 days/year	-
<b>Compressed air cost</b>	0.01 \$ per 1m <sup>3</sup> /h	0.01 \$ per 1m <sup>3</sup> /h	-
<b>Cost per year per strand</b>	240,000 \$	168,000 \$	-
<b>Cost per year for 2 strands</b>	480,000 \$	336,000 \$	-
<b>Saving per year</b>	-	144,000 \$	-
<b>Investment Cost</b>	-	120,000 \$	Nozzles, installation
<b>ROI</b>	-	0.83 years = 10 months < 1 year!	-

# Mastercooler SMART

## The air-mist nozzle for every slab caster

The Mastercooler SMART is the state of the art flat fan air-mist nozzle type combining high cooling efficiency with high flexibility in terms of water turn down ratio, spray angle, nozzle arrangement and connection methods. Mastercooler SMART nozzles cover a flow rate range from 0.3 to 70 l/min.

They are equipped with a plate bolted vertically onto adaptor plates. Small diameter fluid feed pipes are no longer necessary. All nozzles are mounted outside of the framework at the rear side of the segment with only the nozzle pipe, carrying the spray tip, reaching down to the spray position. A very rigid header pipe and a nozzle self alignment is the result.

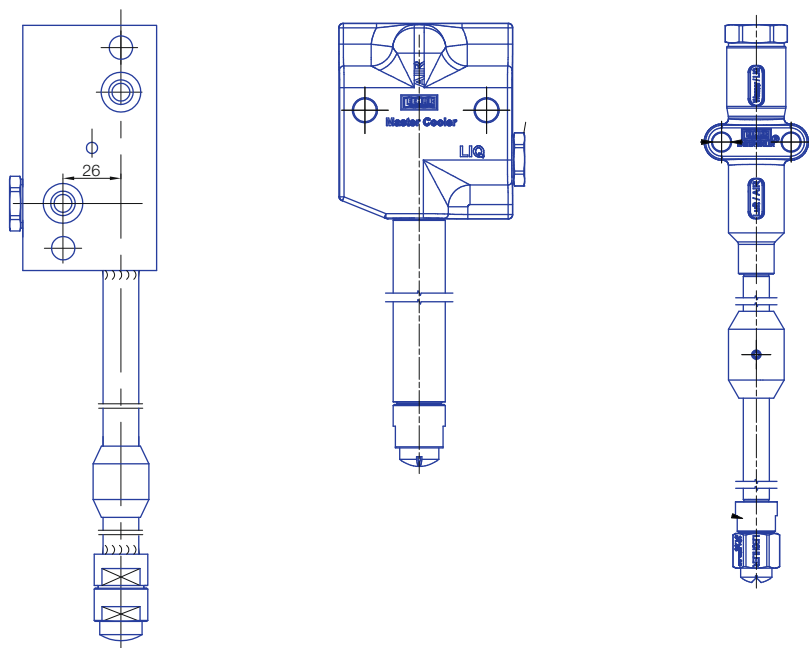
Mastercooler SMART technology is available for all slab casting machine types as the design can be adapted to match the individual requirements in terms of nozzle geometry and connection design. Nozzle parameters such as water and air flow rates, spray angle, extension pipe length and connection plate details are customized to the requirements of each individual project.

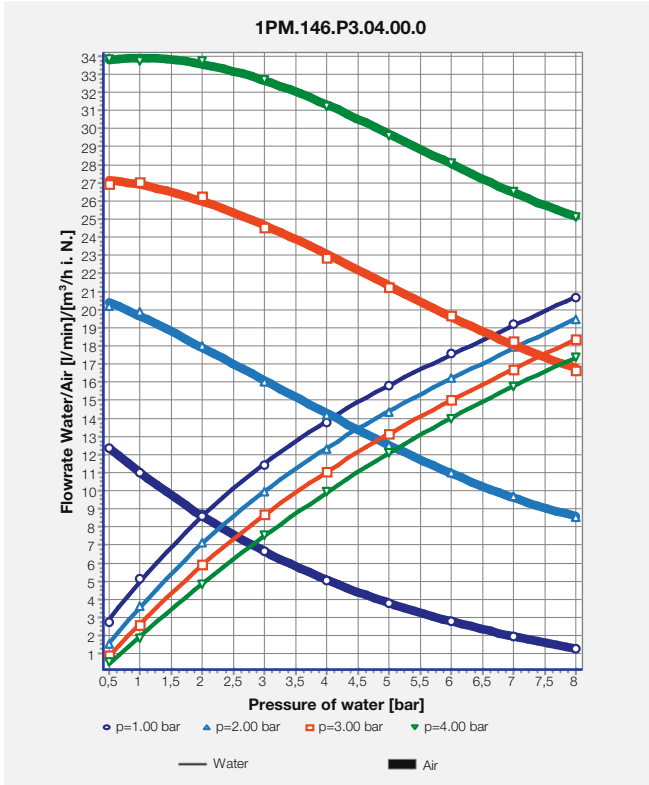
The nozzles are fine tuned to match the spray height and nozzle pitch in each segment to provide an even liquid distribution for the whole slab width in all nozzle operating conditions. Multi nozzle measurements in the Lechler laboratories ensure the highest quality for each individually designed Mastercooler SMART nozzle type.



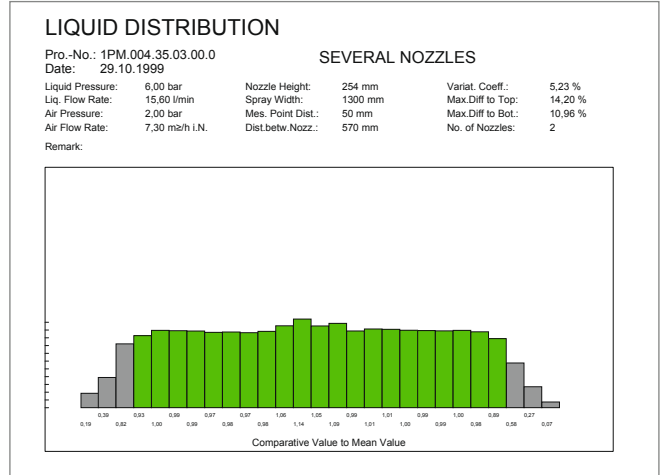
Nozzle type	Max. water flow rate	Operating water pressure	Max. air flow rates	Operating air pressure	Spray angle
<b>Mastercooler SMART</b>	70 l/min	0.5–10 bar	70 m³/h	1–4 bar	30–130°

Benchmark data only, individual nozzle data to be specified

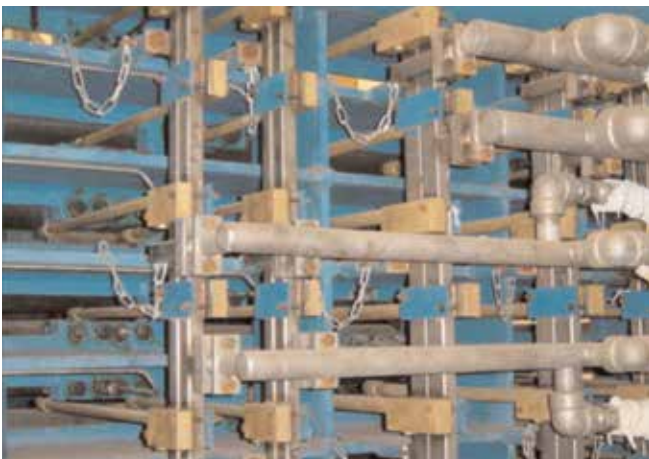




Typical Mastercooler SMART pressure-flow diagram



Typical twin nozzle arrangement liquid distribution measurement documentation



Slab caster segment with Mastercooler SMART nozzles



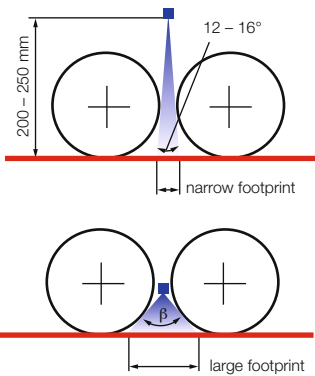
Horizontal segments with Mastercooler SMART nozzles

# Mastercooler HARD HARD COOLING®

## Hard Hard Cooling® (HHC)

The ability to cast low carbon steels at ever increasing casting speeds, while still be able to cast the more critical steel grades, requires a wider control and performance of the secondary cooling and as such, more flexibility in nozzle turnaround. Maintaining slab bulging at increased casting speeds requires both reduced roll pitches and increased secondary cooling intensities; the latter can lead to unacceptable temperature fluctuation on the slab surface with standard secondary cooling design. Mastercooler HHC nozzles cover a flow rate range from 1.8 to 49 l/min.

One technology which provides a solution to these problems is „Hard-Hard“ cooling which is the ability to apply large quantities of spray water to the slab surface reducing the slab surface to below 700 °C while maintaining acceptable surface temperature fluctuations. This practise requires a special nozzle design and arrangement in the top zone of a slab caster.

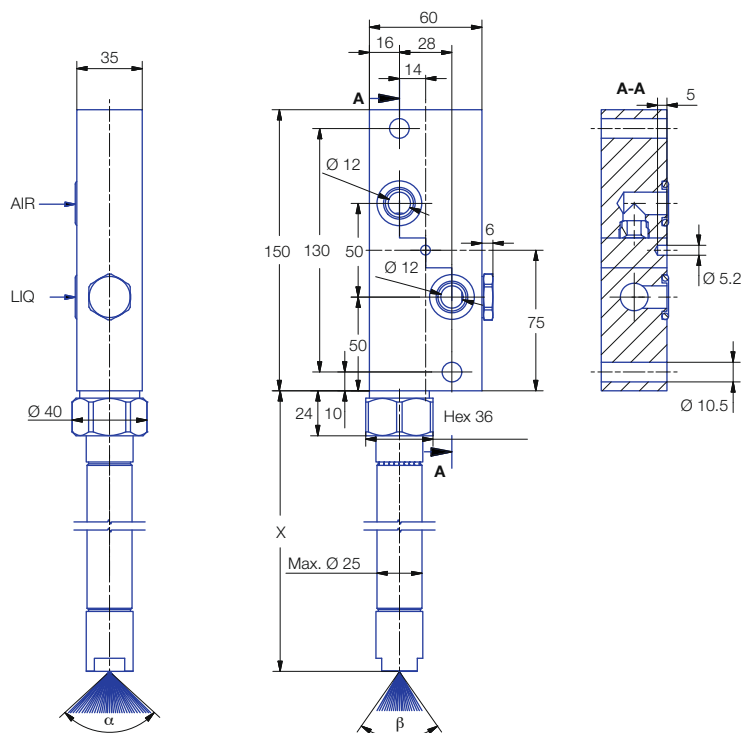


Spray footprint for conventional air-mist nozzle (top) and HHC nozzle (lower)



Nozzle type	Max. water flow rate	Operating water pressure	Air flow rates	Operating air Pressure	Spray angle
<b>Mastercooler HHC</b>	49 l/min	0.5–10 bar	0.5–44 m³/h	1–4 bar	90–125° wide 20–75° deep

Benchmark data only, individual nozzle data to be specified



Mastercooler Hard Hard Cooling® nozzle, SMART® mounting method and slim tip design

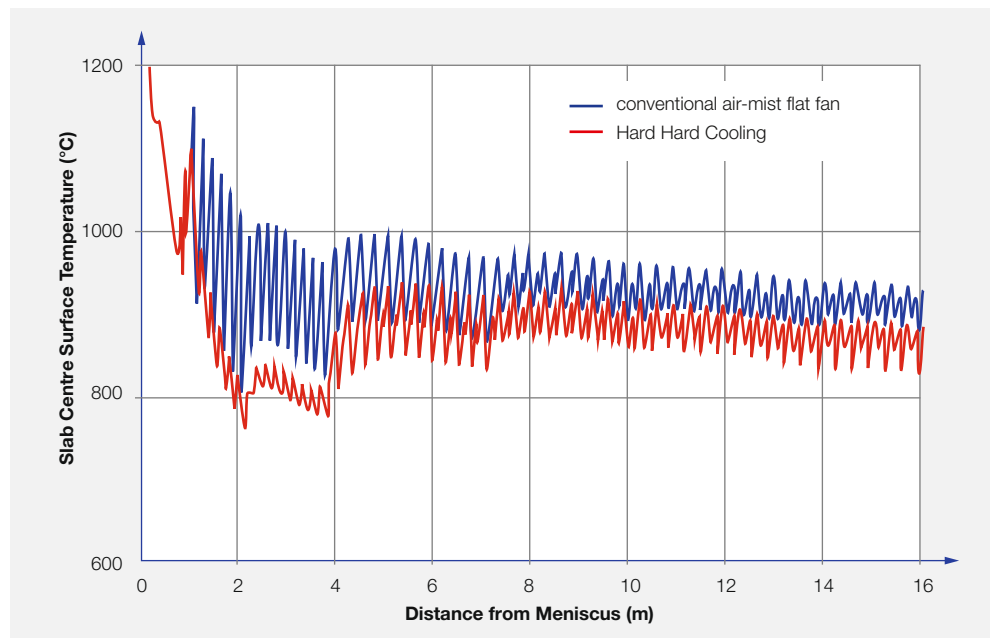
The minor spray angle of conventional nozzles, also called the spray thickness angle, ranges between 12° and 16° for typical major spray angles of 60° to 120° (wide axis). With spray heights of 160 mm to 300 mm in the upper cooling zones. The slab surface between roll contact and spray water remains uncooled and high temperature fluctuations within the roll gap can occur.

Slab defects attributable to secondary cooling can be minimised or avoided reducing these surface temperature fluctuations. „Hard-Hard“ cooling is a technology developed to address this issues as well as inter roll slab bulging.

„Hard-Hard“ cooling technology also requires that the strand surface temperature is reduced quickly to around 700 °C or less in the first cooling zone after the mould sprays, this temperature is then maintained throughout the complete solidification length of the strand.

The necessary temperature profile requires high cooling intensities through high water flows. When these water flows are applied through normal flat fan nozzles, large cyclic temperature fluctuations occur on the slab surface.

These cyclic fluctuations in the upper cooling zones of the caster can result in significant thermal stresses in the cast strand which could lead to the generation of both internal and surface defects.



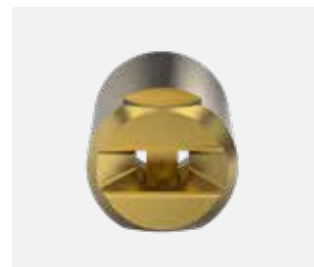
Intense cooling profile conventional flat fan air-mist vs „Hard-Hard“ cooling nozzles

Reducing the surface temperature fluctuations to acceptable levels, while still extracting the necessary heat from the slab surface, requires that the spray thickness in the casting direction is maximised within the roll gap. This is achieved with a new Lechler design concept - “Hard-Hard” cooling nozzle.

The main difference with respect to surface temperature between the conventional flat fan nozzles and the new “Hard-Hard” concept is shown by the reduction of the surface temperature fluctuations in zone 1, the “Hard-Hard” cooling nozzles also require less spray water to achieve the required cooling due to their increased minor spray angle which produces a larger sprayed thickness on the slab surface.

With the low surface temperatures associated with „Hard-Hard“ cooling, the loss of cooling due to clogged nozzles will result large localised slab surface reheats. These reheats will produce large localised thermal stresses and possible defects. “Hard-Hard” cooling air-mist nozzles benefit from a non clogging nozzle tip featuring a single slot principle so giving users the benefits of both the highest operational safety and reduced maintenance.

**Hard-Hard cooling nozzles are mounted utilising the proven Lechler Master-Cooler SMART method which has become an industry standard.**



HHC nozzle tip

Hard-Hard Cooling means improved slab quality and higher productivity due to:

- Lower strand temperatures in upper part of machine
- Minimized strand bulging and mould level instability
- Reduced temperature fluctuations on slab surface
- Increased quality and productivity
- Fitted Nozzle tip in roll gap
- Standard Mastercooler SMART mounting method

# Slab caster segment piping

## Mastercooler SMART Mounting

Because of their internal mixture, air-mist nozzles require two separate feed pipes for compressed air and water. Vertical segment piping with square air and water main header pipes became an industry standard design. The air-mist nozzles now equipped with plates are bolted vertically onto adaptor plates.



Air-mist nozzles fed and installed by means of small and long hydraulic pipes

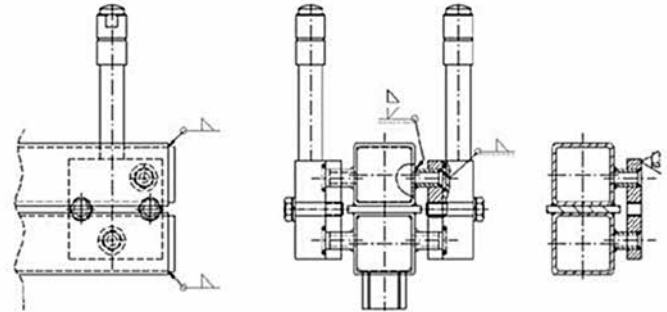
Nozzle staggering between the roller gaps within one segment can be served from only one header pipe manifold. Nozzle staggering is one method to equalize the water distribution along the strand in length direction with the intention to eliminate surface defects and cracks.

Small diameter fluid feed pipes are no longer necessary. All nozzles are mounted outside of the framework at the rear side of the segment with only the nozzle pipe, carrying the spray tip, reaching down to

the spray position. A very rigid header pipe and a nozzle self alignment is the result. The nozzle spray position is always secured. A „Hoseless“ fluid supply system becomes also possible.

In order to maintain an identical nozzle length in one segment, the nozzles are bolted onto adaptor plates of a tailored length to compensate for the in-built bending radius.

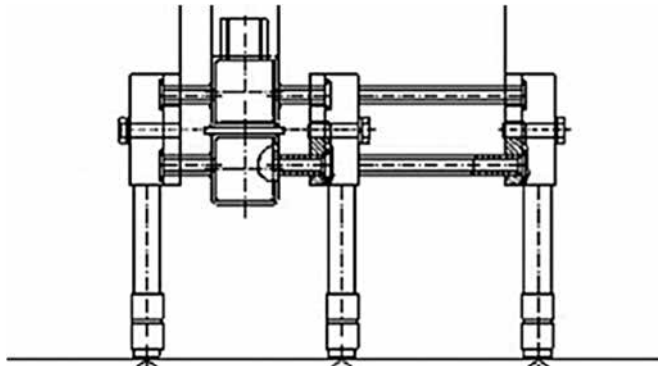
Nozzle staggering between the roller gaps within one segment becomes much easier since different nozzle positions can be served from only one header pipe manifold. Nozzle staggering is one method to equalize the water distribution along the strand in length direction with the intention to eliminate surface defects and cracks.



Air-mist nozzle with vertical plate connection and square pipe header manifold



Air-mist nozzle with vertical plate connection and adaptor plate



Nozzle staggering



Example of staggered nozzle positions with Mastercooler SMART piping

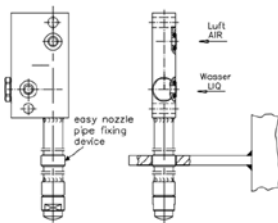
# Split pipe design and tip alignment

## Nozzle and tip alignment

Lechler nozzle tips are equipped with a standard 2-key fixing which ensures the correct position of the spray tip and hence the correct spray direction and plane. However, there are cases where the tip adapter on the extension pipe of the nozzle has four holes so that the nozzle tip can be turned by 90° for versatility reasons. In such a case the correct nozzle tip spray direction has to be checked and ensured during assembly of the nozzles and headers.

## Nozzle and pipe alignment

An additional tool for nozzle alignment is a bushing which is mounted on the nozzle pipe either flexible or in a defined position. This bushing is a counterpart for a welded plate on the segment which keeps the nozzle pipe in position to avoid pipe misalignment.



Nozzle alignment with bushing

## Nozzle Body Interface

It is important that the nozzle body mounting surface is kept clean and free of marks in order to secure a tight connection. Please make sure that new o-rings are being used whenever the nozzle is removed for a major repair or maintenance off site. It is also important that the plugs come tight on with undamaged copper seals.

## Split pipe design

For nozzles with extension pipes longer than appr. 300 mm it is recommendable to install nozzles of the "Split Pipe" version allowing to separate the front part carrying the nozzle tip and nut only. The nozzle's vertical plate together with the remaining part of pipe can be retained. The position of the joint between the two pipe ends can be designed as per request. A self-aligning design also secures the correct spray direction at this point. A cost saving feature interesting enough especially for top segments near the mould. In case of a break out only the extension pipe with the tip has to be replaced.



Mastercooler nozzle body mounting surface with air and water inlet holes including o-rings, air and water plugs including copper seals

### The special features:

- Only extension pipe needs to be replaced after a break out
- Very rigid and durable connection
- Failure proof system due to a variety of the different joint shapes

### The benefits:

- Reduced maintenance costs
- Improved operation safety
- Reduced complexity of stock logistics due to reduced number of nozzles types in case of beam-blank casters



Mastercooler split pipe design

# Flat fan nozzle with dove-tail alignment

## Series 660

### Series 660

Assembly with retaining nut.  
Self aligning jet with dove-tail design secures correct spray position for optimal strand surface quality and easy maintenance. Standard version with parabolic liquid distribution.

#### Applications:

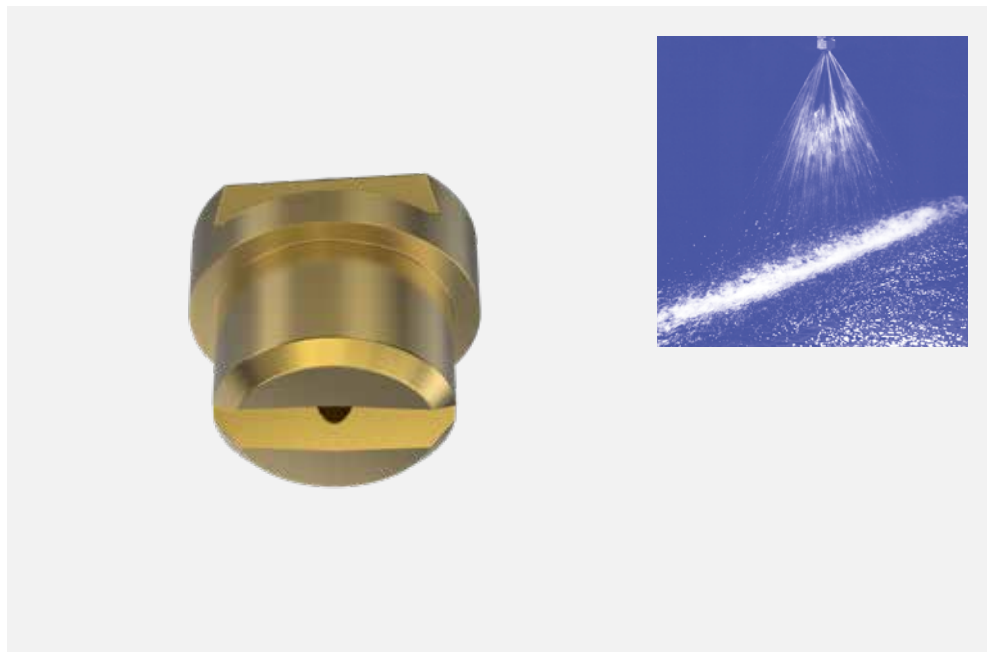
Multi nozzle arrangements for strand cooling in foot roller area of slab casters where space is limited.

Multi nozzle arrangements in segments for water only secondary cooling in stainless steel slab casters with low water flow rates.

- Standard offset angle 5° built into the nozzle
- 0° offset angle available on request 660.xxx.xx.74

Available also with rectangular liquid distribution for single nozzle arrangement (per roller gap) or wide pitches 660.xxx.xx.90.

Available also with rectangular liquid distribution combined with 0° offset angle for single nozzle arrangement (per roller gap) or wide pitches 660.xxx.xx.96 in narrow roller gaps.



#### Special nozzle types:

Type + Material No. + Special No

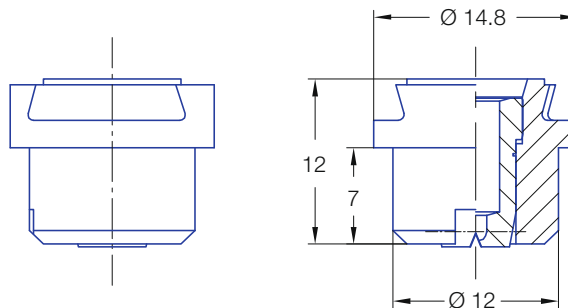
Special No:

00 = standard nozzle

74 = flat jet parallel to dove tail

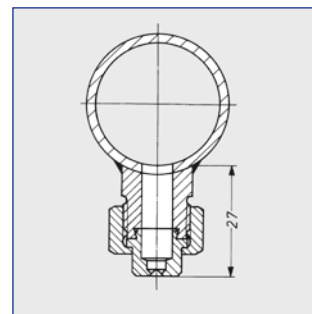
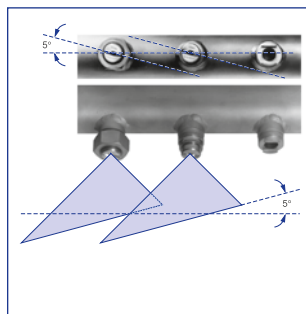
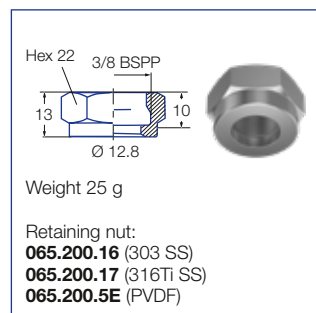
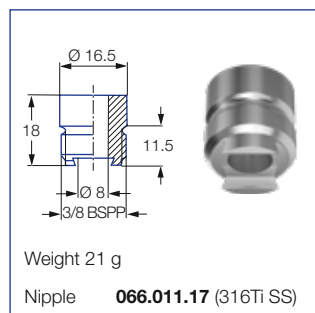
90 = rectangular liquid distribution

96 = flat jet parallel to dove tail + rectangular liquid distribution




Flat jet 5° offset against dove-tail

### Accessories





Spray angle 	Ordering no.				A Ø [mm]	E Ø [mm]	V̇ [l/min]						
	Type	Mat. no.					p [bar]						
		16 303 SS	17 <sup>1</sup> 316Ti SS/ 316L SS	30			0.5	1.0	2.0	[US gal./ min] at 40 psi	3.0	5.0	10.0
45°	660.403	○	○	○	1.20	0.90	0.50*	0.71	1.00	0.31	1.23	1.58	2.24
	660.483	○	○	○	1.50	1.10	0.80*	1.13	1.60	0.50	1.96	2.53	3.58
	660.563	○	○	○	2.00	1.40	1.25	1.76	2.50	0.78	3.06	3.95	5.59
	660.643	○	○	○	2.50	1.80	2.00	2.83	4.00	1.24	4.90	6.33	8.94
60°	660.404	○	○	○	1.20	0.80	0.50*	0.71	1.00	0.31	1.23	1.58	2.24
	660.444	○	○	○	1.35	0.90	0.62*	0.88	1.25	0.39	1.53	1.98	2.80
	660.484	○	○	○	1.50	1.00	0.80*	1.13	1.60	0.50	1.96	2.53	3.58
	660.514	○	○	○	1.65	1.10	0.95*	1.34	1.90	0.59	2.33	3.00	4.25
	660.564	○	○	○	2.00	1.30	1.25	1.77	2.50	0.78	3.06	3.95	5.59
	660.604	○	○	○	2.20	1.50	1.58	2.23	3.15	0.98	3.86	4.98	7.04
	660.644	○	○	○	2.50	1.60	2.00	2.83	4.00	1.24	4.90	6.33	8.94
	660.724	○	○	○	3.00	2.10	3.15	4.46	6.30	1.95	7.72	9.96	14.09
660.804	○	-	○	4.00	2.60	5.00	7.07	10.00	3.10	12.25	15.81	22.36	
90°	660.446	○	○	○	1.35	0.80	0.62*	0.88	1.25	0.39	1.53	1.98	2.80
	660.486	○	○	○	1.50	0.80	0.80*	1.13	1.60	0.50	1.96	2.53	3.58
	660.516	○	○	○	1.65	0.90	0.95*	1.34	1.90	0.59	2.33	3.00	4.25
	660.566	○	○	○	2.00	1.10	1.25	1.76	2.50	0.78	3.06	3.95	5.59
	660.606	○	○	○	2.20	1.20	1.58	2.23	3.15	0.98	3.86	4.98	7.04
	660.646	○	○	○	2.50	1.30	2.00	2.83	4.00	1.24	4.90	6.33	8.94
	660.676	○	○	○	2.70	1.40	2.38	3.36	4.75	1.47	5.82	7.51	10.62
	660.726	○	○	○	3.00	1.70	3.15	4.46	6.30	1.95	7.72	9.96	14.09
660.806	-	○	○	4.00	2.40	5.00	7.07	10.00	3.10	12.25	15.81	22.36	
120°	660.517	○	○	○	1.65	0.90	0.95*	1.34	1.90	0.59	2.33	3.00	4.25
	660.567	○	○	○	2.00	0.90	1.25	1.77	2.50	0.78	3.06	3.95	5.59
	660.607	○	○	○	2.20	1.10	1.58	2.23	3.15	0.98	3.86	4.98	7.04
	660.647	○	○	○	2.50	1.30	2.00	2.83	4.00	1.24	4.90	6.33	8.94
	660.727	○	○	○	3.00	1.60	3.15	4.46	6.30	1.95	7.72	9.96	14.09
660.807	○	-	○	4.00	2.00	5.00	7.07	10.00	3.10	12.25	15.81	22.36	

<sup>1</sup> We reserve the right to deliver 316Ti SS or 316L SS under the material no. 17.

A = Equivalent bore diameter · E = narrowest free cross section

\* Differing spray pattern

<b>Example of ordering:</b>	<b>Type</b>	<b>+</b>	<b>Material no.</b>	<b>=</b>	<b>Ordering no.</b>
	<b>660.404</b>	<b>+</b>	<b>16</b>	<b>=</b>	<b>660.404.16</b>

# Flat fan nozzle with double-flat alignment

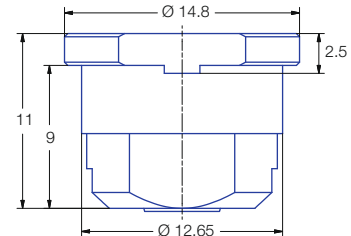
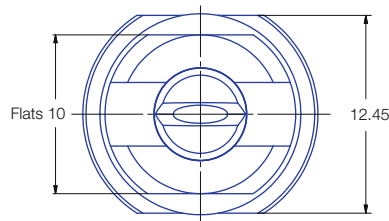
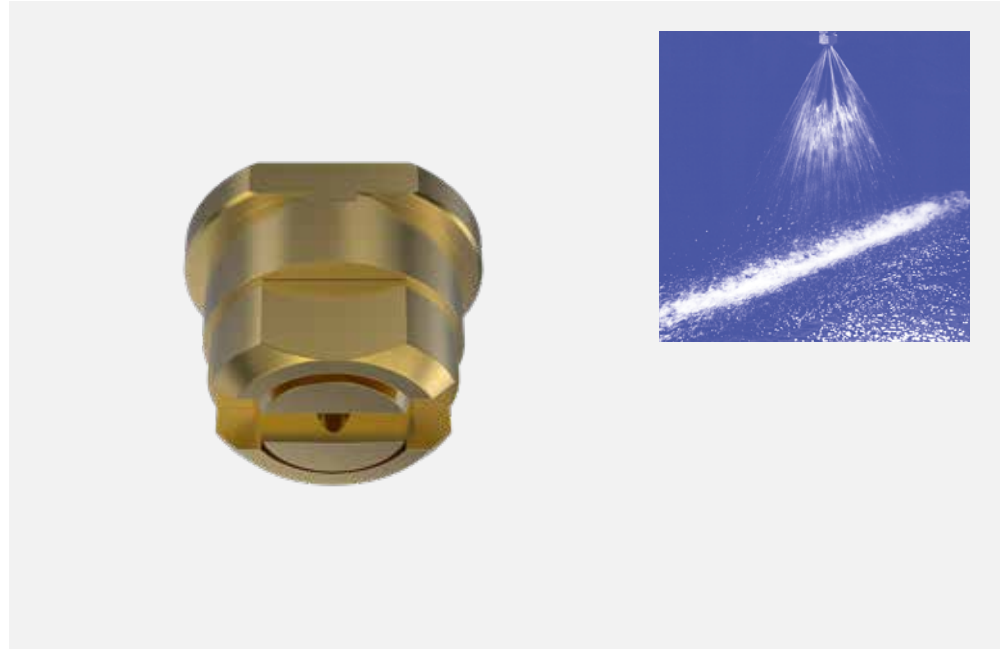
## Series 6M2

### Series 6M2

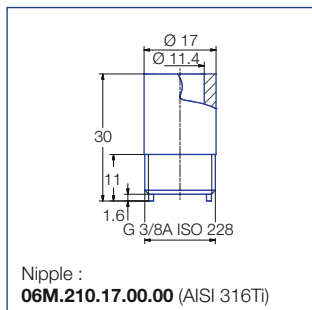
Assembly with retaining nut.  
Self aligning jet with double-flat design secures correct spray position for optimal strand surface quality and easy maintenance. Standard version with parabolic liquid distribution.


#### Applications:

Multi nozzle arrangements for strand cooling in foot roller area of slab casters where space is limited.  
Multi nozzle arrangements in segments for water only secondary cooling in stainless steel slab casters with low water flow rates.



### Accessories



Spray angle 	Ordering no.				A Ø [mm]	E Ø [mm]	V̇ [l/min]						
	Type	Mat. no.					p [bar]						
		16 303 SS	17 <sup>1</sup> 316Ti SS/ 316L SS	30			0.5	1.0	2.0	[US gal./ min] at 40 psi	3.0	5.0	10.0
45°	6M2.403	○	○	○	1.20	0.90	0.50*	0.71	1.00	0.31	1.23	1.58	2.24
	6M2.483	○	○	○	1.50	1.10	0.80*	1.13	1.60	0.50	1.96	2.53	3.58
	6M2.563	○	○	○	2.00	1.40	1.25	1.77	2.50	0.78	3.06	3.95	5.59
	6M2.643	○	○	○	2.50	1.80	2.00	2.83	4.00	1.24	4.90	6.33	8.94
	6M2.723	○	○	○	3.00	2.40	3.15	4.46	6.30	1.95	7.72	9.96	14.09
	6M2.803	○	○	○	4.00	3.00	5.00	7.07	10.00	3.10	12.25	15.81	22.36
60°	6M2.404	○	○	○	1.20	0.80	0.50*	0.71	1.00	0.31	1.23	1.58	2.24
	6M2.444	○	○	○	1.35	0.90	0.62*	0.88	1.25	0.39	1.53	1.98	2.80
	6M2.484	○	○	○	1.50	1.00	0.80*	1.13	1.60	0.50	1.96	2.53	3.58
	6M2.514	○	○	○	1.65	1.10	0.95*	1.34	1.90	0.59	2.33	3.00	4.25
	6M2.564	○	○	○	2.00	1.30	1.25	1.77	2.50	0.78	3.06	3.95	5.59
	6M2.604	○	○	○	2.20	1.50	1.58	2.23	3.15	0.98	3.86	4.98	7.04
	6M2.644	○	○	○	2.50	1.60	2.00	2.83	4.00	1.24	4.90	6.33	8.94
	6M2.674	○	○	○	2.70	1.80	2.38	3.36	4.75	1.47	5.82	7.51	10.62
	6M2.724	○	○	○	3.00	2.10	3.15	4.46	6.30	1.95	7.72	9.96	14.09
	6M2.764	○	○	○	3.50	2.30	4.00	5.66	8.00	2.48	9.80	12.65	17.89
	6M2.804	○	○	○	4.00	2.60	5.00	7.07	10.00	3.10	12.25	15.81	22.36
	6M2.844	○	-	-	4.50	3.00	6.25	8.84	12.50	3.88	15.31	19.76	27.95
6M2.884	○	-	○	5.00	3.40	8.00	11.31	16.00	4.96	19.60	25.30	35.78	
90°	6M2.446	○	○	○	1.35	0.80	0.62*	0.88	1.25	0.39	1.53	1.98	2.80
	6M2.486	○	○	○	1.50	0.80	0.80*	1.13	1.60	0.50	1.96	2.53	3.58
	6M2.516	○	○	○	1.65	0.90	0.95*	1.34	1.90	0.59	2.33	3.00	4.25
	6M2.566	○	○	○	2.00	1.10	1.25	1.77	2.50	0.78	3.06	3.95	5.59
	6M2.606	○	○	○	2.20	1.20	1.58	2.23	3.15	0.98	3.86	4.98	7.04
	6M2.646	○	○	○	2.50	1.30	2.00	2.83	4.00	1.24	4.90	6.33	8.94
	6M2.676	○	○	○	2.70	1.40	2.38	3.36	4.75	1.47	5.82	7.51	10.62
	6M2.726	○	○	○	3.00	1.70	3.15	4.46	6.30	1.95	7.72	9.96	14.09
	6M2.766	○	○	○	3.50	1.90	4.00	5.66	8.00	2.48	9.80	12.65	17.89
	6M2.806	○	○	○	4.00	2.40	5.00	7.07	10.00	3.10	12.25	15.81	22.36
	6M2.846	-	-	○	4.50	2.40	6.25	8.84	12.50	3.88	15.31	19.76	27.95
	6M2.886	○	-	○	5.00	3.10	8.00	11.31	16.00	4.96	19.60	25.30	35.78
120°	6M2.517	○	○	○	1.65	0.90	0.95*	1.34	1.90	0.59	2.33	3.00	4.25
	6M2.567	○	○	○	2.00	0.90	1.25	1.77	2.50	0.78	3.06	3.95	5.59
	6M2.607	○	○	○	2.20	1.10	1.58	2.23	3.15	0.98	3.86	4.98	7.04
	6M2.647	○	○	○	2.50	1.30	2.00	2.83	4.00	1.24	4.90	6.33	8.94
	6M2.677	○	○	○	2.70	1.40	2.38	3.36	4.75	1.47	5.82	7.51	10.62
	6M2.727	○	○	○	3.00	1.60	3.15	4.46	6.30	1.95	7.72	9.96	14.09
	6M2.767	○	○	○	3.50	1.70	4.00	5.66	8.00	2.48	9.80	12.65	17.89
	6M2.807	○	-	○	4.00	2.00	5.00	7.07	10.00	3.10	12.25	15.81	22.36
	6M2.847	-	-	-	4.50	2.30	6.25	8.84	12.50	3.88	15.31	19.76	27.95
	6M2.887	-	-	-	5.00	2.60	8.00	11.31	16.00	4.96	19.60	25.30	35.78

<sup>1</sup>We reserve the right to deliver 316Ti SS oder 316L SS under the material no. 17.

A = equivalent bore diameter · E = narrowest free cross section

\* differing spray pattern

Subject to technical modifications.

<b>Example</b>	<b>Type</b>	<b>+</b>	<b>Material no.</b>	<b>= Ordering no.</b>
<b>of ordering:</b>	<b>6M2.404</b>	<b>+</b>	<b>16</b>	<b>= 6M2.404.16</b>

# Flat fan nozzle with dove-tail alignment

## Series 664/665

### Series 664 / 665

Assembly with retaining nut.  
Self aligning jet with dove-tail design secures correct spray position for optimal strand surface quality and easy maintenance. Standard version with parabolic liquid distribution.

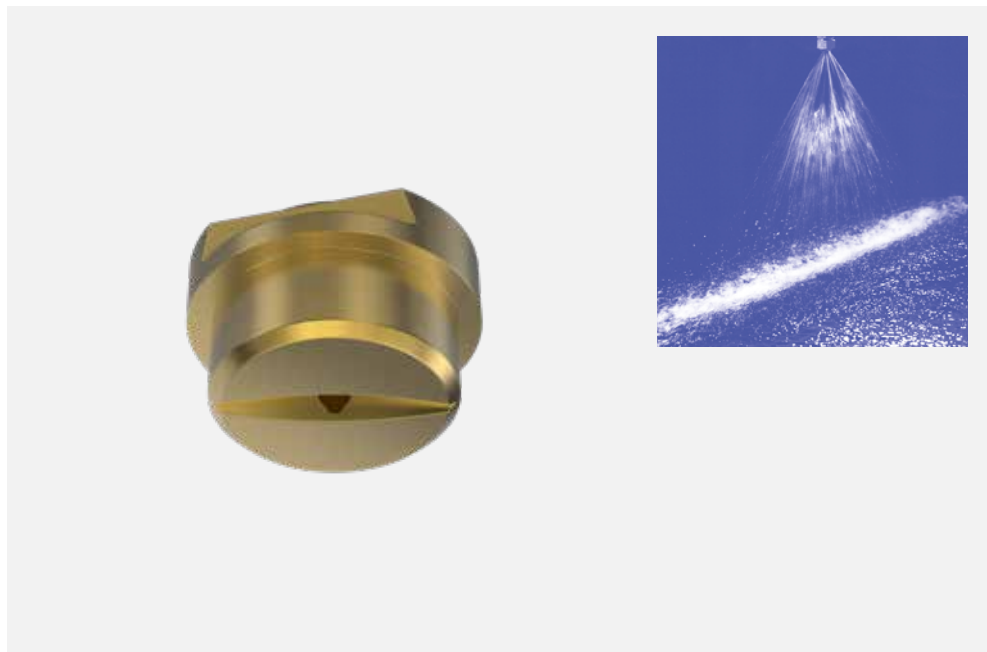
#### Applications:

Multi and single nozzle arrangements in segments for water only secondary cooling.

- Standard offset angle 15° built into the nozzle
- 0° offset angle available on request 664.xxx.xx.74 or 665.xxx.xx.74

Available also with rectangular liquid distribution for single nozzle arrangement (per roller gap) or wide pitches 664.xxx.xx.90 or 665.xxx.xx.90

Available also with rectangular liquid distribution combined with 0° offset angle for single nozzle arrangement (per roller gap) or wide pitches 664.xxx.xx.96 665.xxx.xx.96 in narrow roller gaps.



#### Special nozzle types:

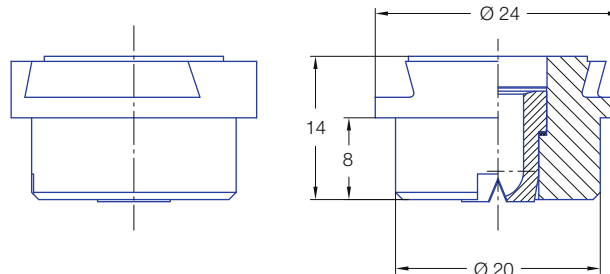
Type + Material No. + Special No

Special No:  
00= standard nozzle

74 = flat jet parallel to dove tail

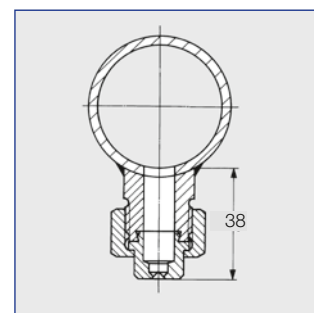
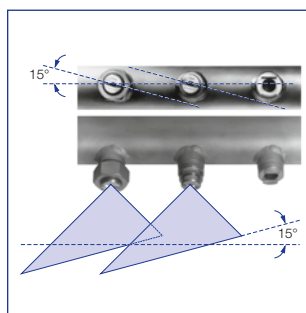
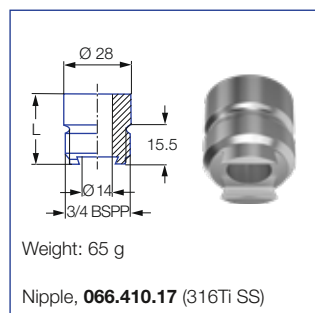
90 = rectangular liquid distribution


96 = flat jet parallel to dove tail + rectangular liquid distribution



Flat jet 15° offset against dove-tail

### Accessories



Spray angle 	Ordering no.				A Ø [mm]	E Ø [mm]	V̇ [l/min]						
	Type	Mat. no.					p [bar]						
		16 303 SS	17 <sup>1</sup> 316Ti SS/ 316L SS	30			0.5	1.0	2.0	[US gal./ min] at 40 psi	3.0	5.0	10.0
45°	664.723	○	○	○	3.00	2.40	3.15	4.45	6.30	1.95	7.72	9.96	14.09
	664.763	○	○	○	3.50	2.60	4.00	5.66	8.00	2.48	9.80	12.65	17.89
	664.803	○	○	○	4.00	3.00	5.00	7.07	10.00	3.10	12.25	15.81	22.36
	664.843	○	○	○	4.50	3.40	6.25	8.84	12.50	3.88	15.31	19.67	27.95
	664.883	○	○	○	5.00	3.80	8.00	11.31	16.00	4.96	19.60	25.30	35.78
	664.923	○	○	○	5.50	4.20	10.00	14.14	20.00	6.20	24.49	31.62	44.72
	664.963	○	○	○	6.00	4.40	12.50	17.68	25.00	7.75	30.62	39.53	55.90
	665.043	-	-	○	8.00	5.90	20.00	28.28	40.00	12.41	48.99	63.25	89.44
60°	664.724	○	○	○	3.00	2.10	3.15	4.45	6.30	1.95	7.72	9.96	14.09
	664.764	○	○	○	3.50	2.30	4.00	5.66	8.00	2.48	9.80	12.65	17.89
	664.804	○	○	○	4.00	2.60	5.00	7.07	10.00	3.10	12.25	15.81	22.36
	664.844	○	○	○	4.50	3.00	6.25	8.84	12.50	3.88	15.31	19.67	27.95
	664.884	○	○	○	5.00	3.40	8.00	11.31	16.00	4.96	19.60	25.30	35.78
	664.924	○	○	○	5.50	4.10	10.00	14.14	20.00	6.20	24.49	31.62	44.72
	664.964	○	○	○	6.00	4.20	12.50	17.68	25.00	7.75	30.62	39.53	55.90
	665.044	○	○	○	8.00	8.00	20.00	28.28	40.00	12.41	48.99	63.25	89.44
	665.064	○	○	○	8.00	8.00	22.50	31.84	45.00	13.96	55.15	71.20	100.69
	665.084	-	○	○	9.00	6.20	25.00	35.36	50.00	15.50	61.24	79.06	111.80
665.124	-	-	○	10.00	7.40	31.50	44.55	63.00	19.56	77.16	99.61	140.87	
90°	664.726	○	○	○	3.00	1.70	3.15	4.45	6.30	1.95	7.72	9.96	14.09
	664.766	○	○	○	3.50	1.90	4.00	5.66	8.00	2.48	9.80	12.65	17.89
	664.806	○	○	○	4.00	2.40	5.00	7.07	10.00	3.10	12.25	15.81	22.36
	664.846	○	○	○	4.50	2.40	6.25	8.84	12.50	3.88	15.31	19.67	27.95
	664.886	○	○	○	5.00	3.10	8.00	11.31	16.00	4.96	19.60	25.30	35.78
	664.926	○	○	○	5.50	3.60	10.00	14.14	20.00	6.20	24.49	31.62	44.72
	664.966	○	○	○	6.00	3.90	12.50	17.68	25.00	7.75	30.62	39.53	55.90
	665.046	-	-	○	8.00	4.90	20.00	28.28	40.00	12.41	48.99	63.25	89.44
665.126	-	-	○	10.00	6.40	31.50	44.55	63.00	19.56	77.16	99.61	140.87	
120°	664.727	○	○	○	3.00	1.60	3.15	4.45	6.30	1.95	7.72	9.96	14.09
	664.767	○	○	○	3.50	1.70	4.00	5.66	8.00	2.48	9.80	12.65	17.89
	664.807	○	○	○	4.00	2.00	5.00	7.07	10.00	3.10	12.25	15.81	22.36
	664.847	○	○	○	4.50	2.30	6.25	8.84	12.50	3.88	15.31	19.67	27.95
	664.887	○	○	○	5.00	2.60	8.00	11.31	16.00	4.96	19.60	25.30	35.78
	664.927	○	○	○	5.50	2.90	10.00	14.14	20.00	6.20	24.49	31.62	44.72
	664.967	-	-	○	6.00	3.20	12.50	17.68	25.00	7.75	30.62	39.53	55.90
665.047	-	-	○	8.00	4.40	20.00	28.28	40.00	12.41	48.99	63.25	89.44	

<sup>1</sup>We reserve the right to deliver 316Ti SS oder 316L SS under the material no. 17.

A = equivalent bore diameter · E = narrowest free cross section

\* differing spray pattern

Subject to technical modifications.

<b>Example</b>	<b>Type</b>	<b>+</b>	<b>Material no.</b>	<b>=</b>	<b>Ordering no.</b>
<b>of ordering:</b>	<b>664.724</b>	<b>+</b>	<b>16</b>	<b>=</b>	<b>664.724.16</b>

# Flat fan nozzle with increased spray depth and dove-tail alignment

## Series 600.280

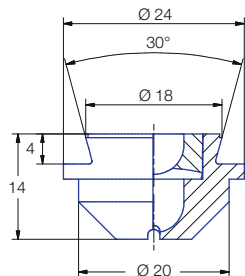
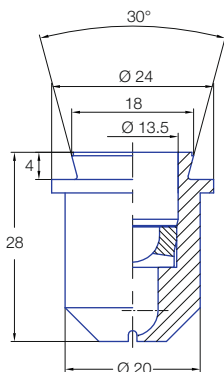
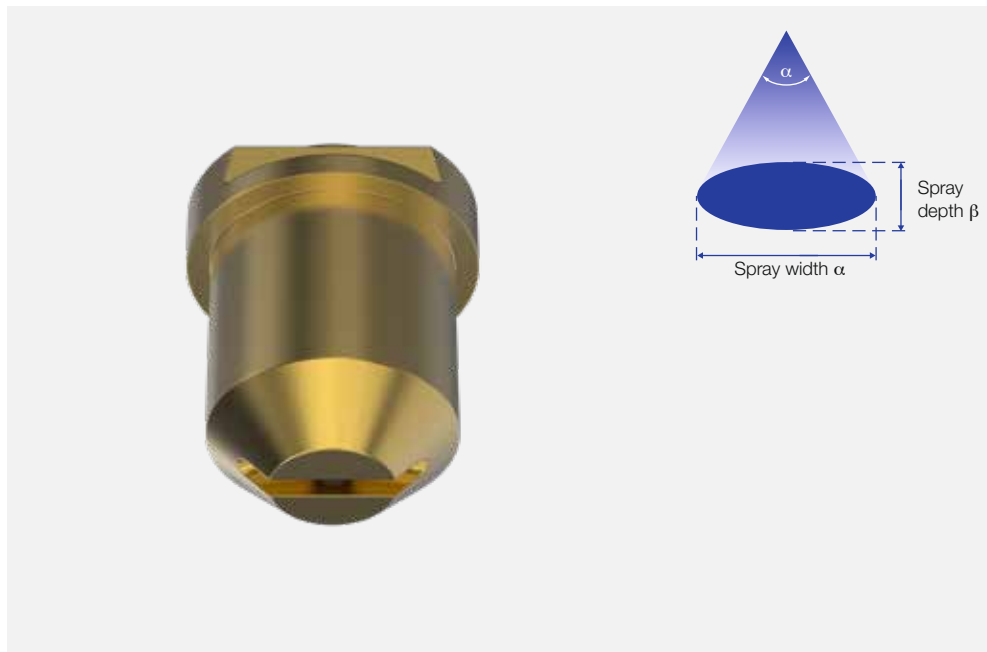
### Series 600.280

Assembly with 3/4" retaining nut. Self aligning jet with dove-tail design with 0° offset angle secures correct spray position for optimal strand surface quality and easy maintenance.

- Typically with trapezoid liquid distribution
- Available in 14 mm short and in 28 mm long version

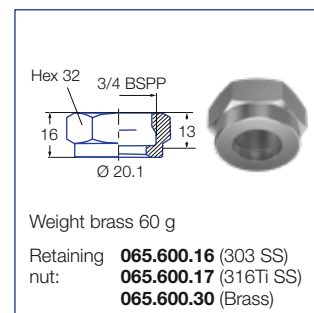
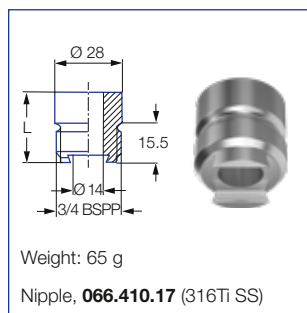
### Applications:

Single and multi nozzle arrangements in segments for water only secondary cooling in bloom and slab casters. Also suitable for vertical spray positions such as narrow side cooling in slab casters or vertical spray cooling in bloom casters.




Flat jet parallel to dove-tail

### Accessories



Spray angle	Ordering no.		Spray depth angle [°]	Length [mm]	Narrowest cross section [mm]	Flow rate [l/min] pressure (bar)						
	Type	Material no.				1	2	3	5	7	10	
		16 303 SS										30 Brass
60°	<b>600.280.xx.34</b>	○	○	12	28	3	12.0	16.6	20.1	25.6	30.0	35.5
	<b>600.280.xx.32</b>	○	○	15	28	3	12.0	16.6	20.1	25.6	30.0	35.5
	<b>600.280.xx.28</b>	○	○	20	28	2.5	8.5	11.8	14.3	18.2	21.3	25.2
	<b>600.280.xx.29</b>	○	○	20	28	3	11.7	16.3	19.7	25.0	29.3	34.6
	<b>600.280.xx.30</b>	○	○	20	28	3.6	15.0	20.7	25.1	31.9	37.4	44.2
	<b>600.280.xx.33</b>	○	○	25	28	4	16.0	22.2	26.8	34.1	39.9	47.2
	<b>600.280.xx.83</b>	○	○	40	28	1	1.3	1.8	2.1	2.7	3.2	3.7
	<b>600.280.xx.12</b>	○	○	40	28	1	1.9	2.6	3.1	4.0	4.7	5.5
	<b>600.280.xx.11</b>	○	○	40	28	1	2.1	2.9	3.5	4.5	5.3	6.2
	<b>600.280.xx.22</b>	○	○	40	28	2.1	4.7	6.5	7.9	10.0	11.7	13.9
<b>600.280.xx.21</b>	○	○	40	28	2.5	6.1	8.5	10.2	13.0	15.2	18.0	
70°	<b>600.280.xx.17</b>	○	○	40	28	1	1.3	1.8	2.2	2.8	3.3	3.9
	<b>600.280.xx.15</b>	○	○	40	28	1.1	1.9	2.6	3.1	4.0	4.7	5.5
	<b>600.280.xx.84</b>	○	○	40	28	1.8	3.1	4.3	5.2	6.6	7.7	9.1
75°	<b>600.280.xx.82</b>	○	○	15	28	1.8	5.7	7.9	9.5	12.1	14.2	16.8
	<b>600.280.xx.16</b>	○	○	15	28	1.7	6.1	8.5	10.2	13.0	15.2	18.0
	<b>600.280.xx.19</b>	○	○	30	28	1.6	3.3	4.6	5.5	7.0	8.2	9.7
	<b>600.280.xx.26</b>	○	○	30	28	1.7	4.1	5.7	6.9	8.8	10.3	12.2

Spray angle 	Ordering no.		Spray depth angle [°]	Length [mm]	Narrowest cross section [mm]	Flow rate [l/min] pressure (bar)						
	Type	Material no.				1	2	3	5	7	10	
		16 303 SS										30 Brass
80°	600.280.xx.64	○	○	20	28	1.4	2.0	2.8	3.4	4.3	5.0	6.0
	600.280.xx.74	○	○	20	28	1.5	2.3	3.1	3.8	4.8	5.6	6.6
	600.280.xx.51	○	○	25	28	1.6	10.0	13.9	16.8	21.4	25.1	29.6
	600.280.xx.42	○	○	30	14	1	2.3	3.1	3.8	4.8	5.6	6.6
90°	600.280.xx.77	○	○	20	28	1	4.5	6.2	7.6	9.6	11.2	13.3
	600.280.xx.14	○	○	20	28	1.1	4.9	6.8	8.3	10.5	12.3	14.5
	600.280.xx.08	○	○	20	28	2.2	8.5	11.8	14.3	18.2	21.3	25.2
	600.280.xx.03	○	○	20	28	2.1	9.6	13.3	16.0	20.4	23.9	28.3
	600.280.xx.05	○	○	20	28	2.5	11.6	16.1	19.5	24.8	29.0	34.4
	600.280.xx.09	○	○	20	28	2	11.7	16.3	19.7	25.0	29.3	34.6
	600.280.xx.10	○	○	20	28	2.7	15.0	20.7	25.1	31.9	37.4	44.2
	600.280.xx.62	○	○	27	28	1.6	4.6	6.4	7.7	9.8	11.5	13.6
	600.280.xx.69	○	○	27	28	2.3	7.0	9.7	11.7	14.9	17.5	20.6
	600.280.xx.68	○	○	27	28	2.95	8.5	11.8	14.3	18.2	21.3	25.2
	600.280.xx.72	○	○	27	28	2.7	12.9	17.9	21.6	27.5	32.2	38.1
	600.280.xx.76	○	○	27	28	2.7	15.1	20.9	25.2	32.1	37.6	44.5
	600.280.xx.13	○	○	30	14	1	1.3	1.8	2.1	2.7	3.2	3.7
	600.280.xx.97	○	○	30	28	1.2	1.9	2.7	3.2	4.1	4.8	5.7
	600.280.xx.92	○	○	30	14	1.2	2.0	2.7	3.3	4.2	4.9	5.8
	600.280.xx.41	○	○	30	14	1.6	3.3	4.6	5.5	7.0	8.2	9.7
	600.280.xx.95	○	○	30	28	1.7	3.3	4.6	5.5	7.0	8.2	9.7
	600.280.xx.90	○	○	30	14	1.7	3.4	4.7	5.7	7.2	8.4	10.0
	600.280.xx.27	○	○	30	28	1.9	5.1	7.0	8.5	10.8	12.7	15.0
	600.280.xx.63	○	○	30	28	2.3	5.8	8.1	9.8	12.4	14.5	17.2
	600.280.xx.45	○	○	30	28	2.3	8.3	11.4	13.8	17.6	20.6	24.4
	600.280.xx.66	○	○	30	28	2.15	11.6	16.1	19.5	24.8	29.0	34.4
	600.280.xx.24	○	○	30	40	2.15	11.6	16.1	19.5	24.8	29.0	34.4
	600.280.xx.73	○	○	35	28	2.3	7.6	10.5	12.7	16.1	18.9	22.3
	600.280.xx.81	○	○	40	28	1.7	1.9	2.7	3.2	4.1	4.8	5.7
	600.280.xx.79	○	○	40	28	1.6	3.0	4.2	5.0	6.4	7.5	8.9
	600.280.xx.80	○	○	40	28	1.7	3.9	5.4	6.5	8.3	9.7	11.5
	600.280.xx.78	○	○	40	28	2.5	7.3	10.1	12.3	15.6	18.3	21.6
100°	600.280.xx.53	○	○	15	56	2.5	11.8	16.4	19.8	25.2	29.5	34.9
	600.280.xx.44	○	○	15	28	2.7	20.0	27.8	33.6	42.7	50.0	59.1
	600.280.xx.85	○	○	25	28	1.4	4.1	5.7	6.8	8.7	10.2	12.1
	600.280.xx.50	○	○	25	28	1.6	4.9	6.8	8.3	10.5	12.3	14.5
	600.280.xx.07	○	○	25	28	2.3	11.6	16.1	19.5	24.8	29.0	34.4
	600.280.xx.88	○	○	14	14	1.2	2.0	2.7	3.3	4.2	4.9	5.8
	600.280.xx.58	○	○	30	14	1.7	3.5	4.8	5.8	7.4	8.7	10.2
	600.280.xx.57	○	○	30	14	1.8	4.8	6.7	8.1	10.3	12.1	14.3
	600.280.xx.40	○	○	30	28	1.6	5.1	7.0	8.5	10.8	12.7	15.0
	600.280.xx.56	○	○	30	14	1.9	6.1	8.5	10.2	13.0	15.2	18.0
	600.280.xx.55	○	○	30	14	2.5	7.4	10.3	12.4	15.8	18.5	21.9
	600.280.xx.36	○	○	30	14	2.6	8.9	12.4	14.9	19.0	22.3	26.3
	600.280.xx.59	○	○	40	28	2.6	7.8	10.9	13.1	16.7	19.6	23.1
	600.280.xx.35	○	○	40	28	2.6	8.8	12.2	14.8	18.8	22.0	26.0
	600.280.xx.37	○	○	40	28	2.7	14.2	19.6	23.8	30.2	35.4	41.8
	600.280.xx.23	○	○	50	28	1.85	1.9	2.6	3.1	4.0	4.7	5.5
	600.280.xx.31	○	○	50	28	1.3	3.2	4.5	5.4	6.9	8.1	9.6
	105°	600.280.xx.02	○	○	23	14	1.1	3.3	4.6	5.5	7.0	8.2
600.280.xx.00		○	○	23	14	1.3	4.7	6.5	7.9	10.0	11.7	13.9
600.280.xx.01		○	○	23	14	1.4	6.1	8.5	10.2	13.0	15.2	18.0
600.280.xx.04		○	○	23	14	1.3	7.5	10.4	12.6	16.0	18.7	22.2
600.280.xx.65		○	○	27	28	1.05	2.0	2.8	3.4	4.3	5.0	6.0
600.280.xx.67		○	○	27	28	1.4	2.9	4.0	4.9	6.2	7.3	8.6
112°	600.280.xx.43	○	○	30	28	2.4	9.3	12.9	15.6	19.8	23.2	27.4

Material 17 (316Ti/316L SS) on request

Example of ordering: Type 600.280.xx.64 + Material no. 16 = Ordering no. 600.280.16.64

Conversion formula for the above series:  $\dot{V}_2 = \dot{V}_1 * \left(\frac{p_2}{p_1}\right)^{0.47}$  ( $\leq 10$  bar)

# Flat fan nozzle with increased spray depth and dove-tail alignment Series 600.366

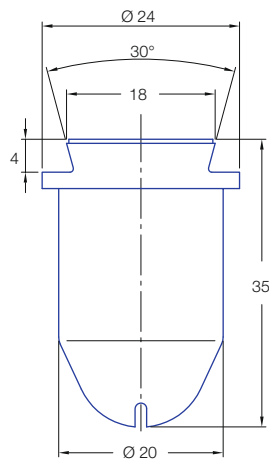
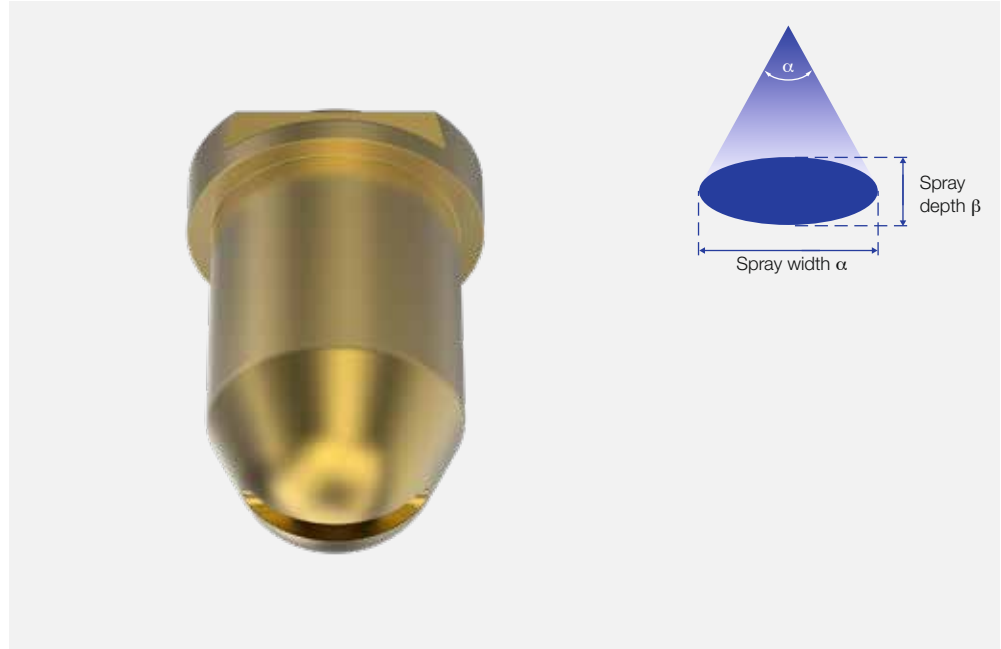
## Series 600.366

**High impact version** with peak center liquid distribution.

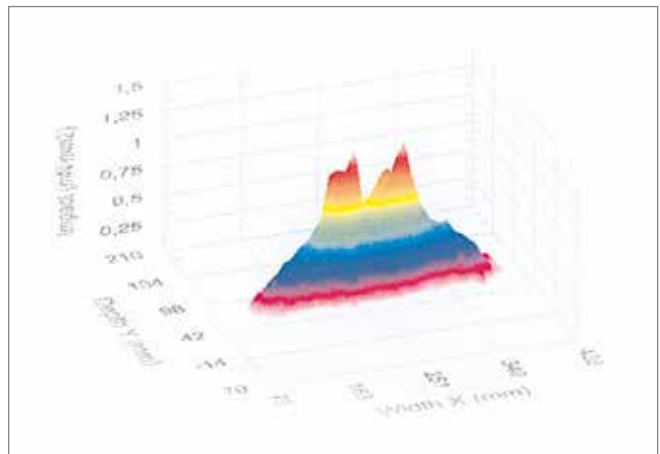
Assembly with 3/4" retaining nut. Self aligning jet with dove-tail design with 0° offset angle secures correct spray position for optimal strand surface quality and easy maintenance.

### Applications:

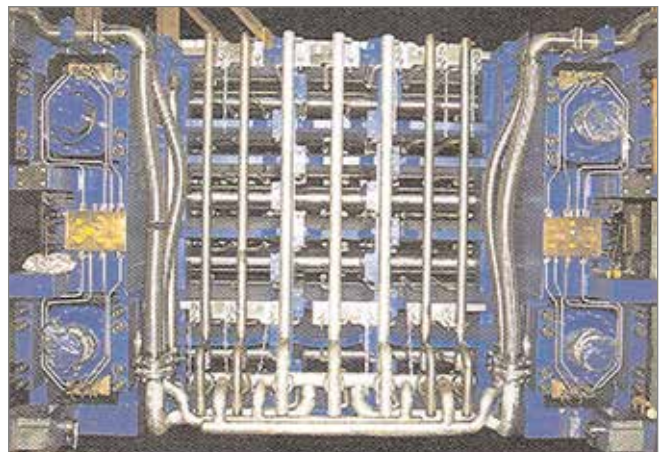
Multi nozzle arrangements in segments for water only secondary cooling, especially in thin slab high speed casters.



Flat jet parallel to dove-tail




Typical impact measurement of high impact version



Position-controlled segments for LCR operation of a CSP plant, pre-assembled in the work shop.

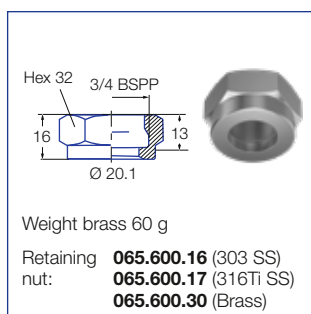
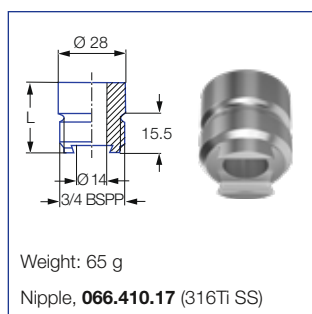


Spray angle 	Ordering no.		Spray depth angle [°]	Narrowest cross section [mm]	Flow rate [l/min] pressure (bar)						
	Type	Material no.			1	2	3	5	7	10	
		16 303 SS									30 Brass
68°	600.366.xx.53	○	○	19	1.1	1.3	1.8	2.2	2.8	3.3	3.9
	600.366.xx.55	○	○	19	1.3	2.0	2.8	3.4	4.3	5.0	6.0
69°	600.366.xx.70	○	○	26	1	0.9	1.2	1.5	1.9	2.2	2.6
	600.366.xx.72	○	○	26	1.4	2.4	3.3	4.0	5.1	6.0	7.1
70°	600.366.xx.50	○	○	20	1.4	2.7	3.7	4.5	5.7	6.7	7.9
	600.366.xx.13	○	○	30	1.9	2.8	3.8	4.6	5.9	6.9	8.2
	600.366.xx.51	○	○	20	2	3.3	4.6	5.5	7.0	8.2	9.7
	600.366.xx.14	○	○	30	1.9	4.9	6.8	8.2	10.4	12.2	14.4
74°	600.366.xx.54	○	○	19	1.3	1.7	2.3	2.8	3.6	4.2	5.0
	600.366.xx.56	○	○	19	1.4	3.0	4.2	5.0	6.4	7.5	8.9
75°	600.366.xx.60	○	○	26	1.9	4.6	6.4	7.8	9.9	11.6	13.7
80°	600.366.xx.71	○	○	26	1.2	1.6	2.2	2.7	3.4	4.0	4.7
	600.366.xx.61	○	○	26	1.9	5.4	7.4	9.0	11.4	13.4	15.8
82°	600.366.xx.52	○	○	28	1.7	4.9	6.8	8.2	10.4	12.2	14.4
83°	600.366.xx.30	○	○	20	1.8	3.3	4.6	5.6	7.1	8.3	9.8
90°	600.366.xx.36	○	○	20	1.4	4.3	5.9	7.2	9.1	10.7	12.6
	600.366.xx.37	○	○	20	1.8	6.4	8.9	10.8	13.7	16.0	19.0
102°	600.366.xx.48	○	○	32	1.6	4.3	5.9	7.2	9.1	10.7	12.6
105°	600.366.xx.49	○	○	25	1	1.7	2.3	2.8	3.6	4.2	5.0
	600.366.xx.23	○	○	20	1	2.0	2.7	3.3	4.2	4.9	5.8
	600.366.xx.28	○	○	20	1	2.7	3.7	4.5	5.7	6.7	7.9
	600.366.xx.40	○	○	20	1.25	3.3	4.6	5.5	7.0	8.2	9.7
	600.366.xx.00	○	○	35	1.8	3.3	4.6	5.6	7.1	8.3	9.8
	600.366.xx.44	○	○	20	1.7	4.5	6.2	7.5	9.5	11.1	13.2
	600.366.xx.41	○	○	20	1.8	4.9	6.8	8.2	10.4	12.2	14.4
	600.366.xx.21	○	○	20	2	5.0	7.0	8.4	10.7	12.5	14.8
	600.366.xx.01	○	○	35	2	5.0	7.0	8.4	10.7	12.5	14.8
	600.366.xx.42	○	○	20	1.7	6.3	8.8	10.6	13.5	15.8	18.7
	600.366.xx.22	○	○	20	2.2	6.7	9.3	11.2	14.3	16.8	19.8
	600.366.xx.02	○	○	35	2.2	6.7	9.3	11.2	14.3	16.8	19.8
	600.366.xx.43	○	○	20	2	8.1	11.2	13.6	17.3	20.3	24.0
	600.366.xx.03	○	○	35	2.5	8.4	11.6	14.0	17.8	20.8	24.7
	600.366.xx.45	○	○	20	2.1	10.1	14.0	16.9	21.5	25.2	29.8
108°	600.366.xx.80	○	○	32	2.3	8.5	11.8	14.2	18.1	21.2	25.1
	600.366.xx.81	○	○	32	2.3	9.8	13.5	16.4	20.8	24.4	28.8
110°	600.366.xx.47	○	○	28	1.1	2.8	3.8	4.6	5.9	6.9	8.2

Material 17 (316Ti/316L SS) on request

**Example of ordering:** Type **600.366.xx.53** + Material no. **16** = Ordering no. **600.366.16.53**

## Accessories



Conversion formula for the above series:  $\dot{V}_2 = \dot{V}_1 * \left(\frac{p_2}{p_1}\right)^{0.47}$   
( $\leq 10$  bar)

# Axial-flow full cone nozzles

## Series 490

### Series 490

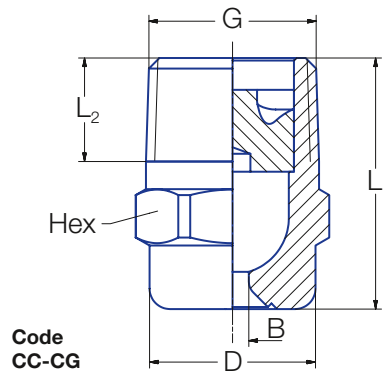
Non-clogging nozzle design. Stable spray angle. Particularly even liquid distribution.

#### Applications:

Strand cooling in billet casters, strand narrow side cooling in slab casters, spray cooling of billet moulds, spray cooling of EAF electrodes after use.

#### Remark:

Material combination **T8** brass for the nozzle housing and AISI 316L for the vane, or completely made from AISI 316L **1Y** is recommended if the nozzles will be exposed to high temperatures for longer periods of time.



Code	Dimensions [mm]					Weight Brass
	G	L <sub>1</sub>	L <sub>2</sub>	D	Hex/Flats	
<b>CA</b>	1/8 BSPT	18.0	6.5	10.0	11	13 g
<b>CC</b>	1/4 BSPT	22.0	10.0	13.0	14	16 g
<b>CE</b>	3/8 BSPT	24.5	10.0	16.0	17	30 g
CE	3/8 BSPT	30.0	10.0	16.0	17	50 g
<b>CG</b>	1/2 BSPT	32.5	13.0	21.0	22	60 g
CG	1/2 BSPT	43.5	13.0	21.0	22	85 g

Subject to technical modification.  
In a critical installation situation, please ask for the exact dimensions.

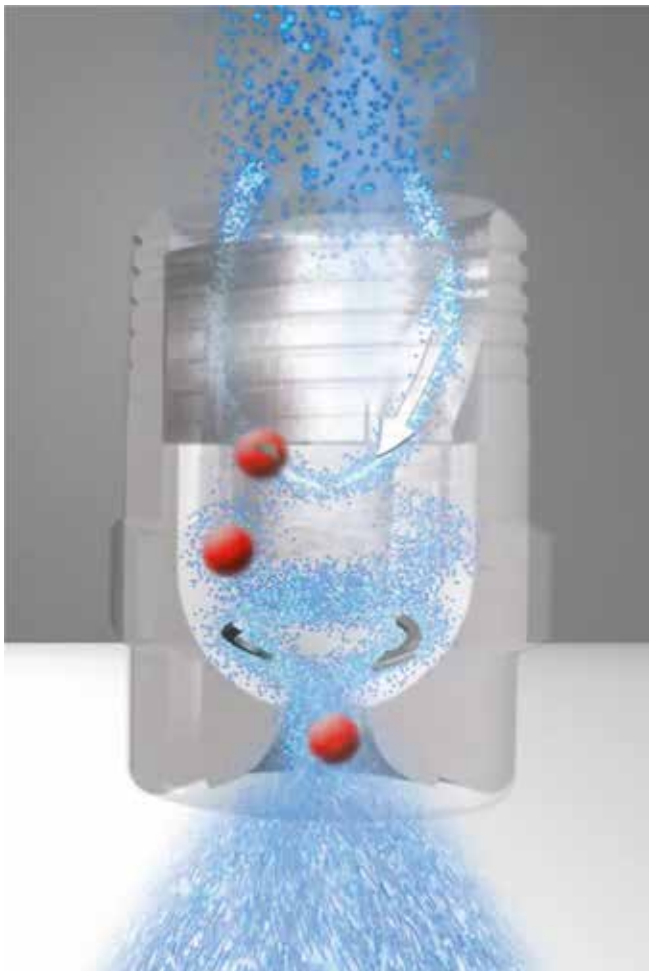
## New nozzle generation with an innovative internal design providing the nozzle with:

30% to 40% larger compared to conventional axial full cone nozzles  
Non clogging characteristics due to larger free cross sections

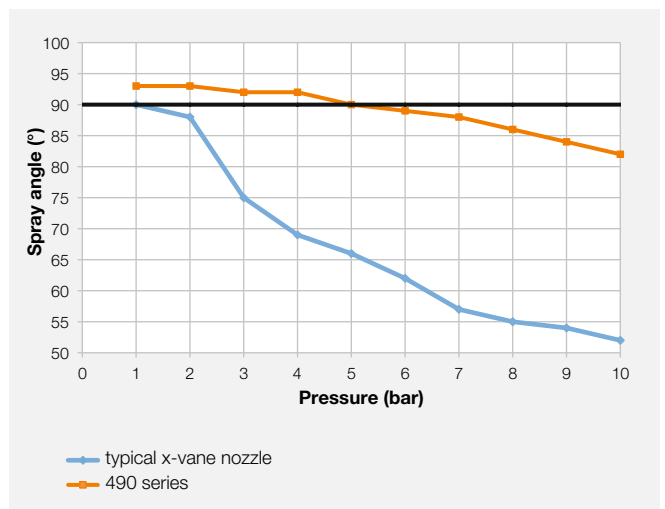
Extended machine availability and reduced maintenance costs

Stable spray angle over pressure range

No over- or undercooling of strand corners and centre section means quality improvements



For a feature video, please refer to [www.lechler.de/videos/series490](http://www.lechler.de/videos/series490)



Spray angle of 490 series compared to typical x-vane nozzle for various water pressures





Solid particle passing through 490 nozzle serie




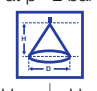
Solid particle passing through conventional axial full cone nozzle

# Axial-flow full cone nozzles

## Series 490

Spray angle 	Ordering no.								B ∅ [mm]	E ∅ [mm]	V [l/min]							Spray diameter D at p=2 bar 	
	Type	Mat. no.			Code						p [bar]							H = 200 mm	H = 500 mm
		1Y 316L SS	30 Brass	T8 Brass/316L SS	1/8 BSPT	1/4 BSPT	3/8 BSPT	1/2 BSPT			0.5	1.0	2.0	3.0	5.0	7.0	10.0		
45°	490.403	○	○	○	CA	-	-	-	1.25	1.25	0.57	0.76	1.00	1.18	1.44	1.65	1.90	160	400
	490.443	○	○	○	CA	CC	-	-	1.40	1.40	0.72	0.95	1.25	1.47	1.80	2.06	2.38	160	400
	490.523	○	○	○	CA	CC	-	-	1.70	1.70	1.15	1.52	2.00	2.35	2.89	3.30	3.81	160	400
	490.563	○	○	○	-	CC	-	-	1.80	1.80	1.44	1.89	2.50	2.94	3.61	4.13	4.76	160	400
	490.603	○	○	○	-	CC	CE	-	2.00	2.00	1.81	2.39	3.15	3.70	4.54	5.20	6.00	160	400
	490.643	○	○	○	-	CC	CE	-	2.45	2.45	2.30	3.03	4.00	4.70	5.77	6.60	7.61	160	400
	490.683	○	○	○	-	CC	CE	-	2.55	5.55	2.87	3.79	5.00	5.88	7.21	8.25	9.52	160	400
	490.703	○	○	○	-	-	CE	-	2.65	2.65	3.22	4.24	5.60	6.59	8.08	9.24	10.66	160	400
	490.723	○	○	○	-	-	CE	-	2.85	2.85	3.62	4.77	6.30	7.41	9.09	10.40	11.99	160	400
	490.783	○	○	○	-	-	-	CG	3.45	3.45	5.17	6.82	9.00	10.58	12.98	14.85	17.12	160	400
490.843	○	○	○	-	-	-	CG	3.80	3.80	7.18	9.47	12.50	14.70	18.03	20.63	23.80	160	400	
60°	490.404	○	○	○	CA	-	-	-	1.15	1.15	0.57	0.76	1.00	1.18	1.44	1.65	1.90	220	560
	490.444	○	○	○	CA	-	-	-	1.25	1.25	0.72	0.95	1.25	1.47	1.80	2.06	2.38	220	560
	490.484	○	○	○	CA	-	-	-	1.45	1.45	0.92	1.21	1.60	1.88	2.31	2.64	3.05	220	560
	490.524	○	○	○	CA	CC	CE	-	1.60	1.60	1.15	1.52	2.00	2.35	2.89	3.30	3.81	220	560
	490.564	○	○	○	CA	CC	CE	-	1.80	1.80	1.44	1.89	2.50	2.94	3.61	4.13	4.76	220	560
	490.604	○	○	○	CA	CC	CE	-	2.05	2.05	1.81	2.39	3.15	3.70	4.54	5.20	6.00	220	560
	490.644	○	○	○	-	CC	CE	-	2.30	2.30	2.30	3.03	4.00	4.70	5.77	6.60	7.61	220	560
	490.684	○	○	○	-	CC	CE	-	2.60	2.60	2.87	3.79	5.00	5.88	7.21	8.25	9.52	220	560
	490.704	○	○	○	-	-	CE	-	2.75	2.75	3.22	4.24	5.60	6.59	8.08	9.24	10.66	220	560
	490.724	○	○	○	-	CC	CE	-	2.95	2.80	3.62	4.77	6.30	7.41	9.09	10.40	11.99	220	560
	490.744	○	○	○	-	-	CE	-	3.05	3.05	4.08	5.38	7.10	8.35	10.24	11.72	13.52	220	560
	490.764	○	○	○	-	-	CE	-	3.25	3.25	4.59	6.06	8.00	9.41	11.54	13.20	15.22	220	560
	490.784	○	○	○	-	-	CE	-	3.50	3.50	5.17	6.82	9.00	10.58	12.98	14.85	17.12	220	560
	490.804	○	○	○	-	-	CE	-	3.70	3.70	5.74	7.58	10.00	11.76	14.43	16.51	19.04	220	560
	490.844	○	○	○	-	-	-	CG	4.05	4.05	7.18	9.47	12.50	14.70	18.03	20.63	23.80	220	560
	490.884	○	○	○	-	-	-	CG	4.65	4.65	9.19	12.13	16.00	18.82	23.08	26.41	30.46	220	560

B = Bore diameter · E = narrowest free cross section

Spray angle 	Ordering no.								B Ø [mm]	E Ø [mm]	V̇ [l/min]							Spray diameter D at p=2 bar 	
	Type	Mat. no.			Code						p [bar]							H = 200 mm	H = 500 mm
		1Y 316L SS	30 Brass	T8 Brass/316L SS	CA 1/8 BSPT	- 1/4 BSPT	- 3/8 BSPT	- 1/2 BSPT			0.5	1.0	2.0	3.0	5.0	7.0	10.0		
90°	490.406	○	○	○	CA	-	-	-	1.20	1.20	0.57	0.76	1.00	1.18	1.44	1.65	1.90	380	860
	490.446	○	○	○	CA	-	-	-	1.30	1.30	0.72	0.95	1.25	1.47	1.80	2.06	2.38	380	860
	490.486	○	○	○	CA	-	-	-	1.45	1.45	0.92	1.21	1.60	1.88	2.31	2.64	3.05	380	860
	490.506	○	○	○	-	CC	-	-	1.65	1.65	1.03	1.36	1.80	2.12	2.60	2.97	3.43	380	860
	490.526	○	○	○	CA	-	-	-	1.70	1.55	1.15	1.52	2.00	2.35	2.89	3.30	3.81	380	860
	490.566	○	○	○	CA	-	-	-	1.90	1.90	1.44	1.89	2.50	2.94	3.61	4.13	4.76	380	860
	490.606	○	○	○	CA	CC	CE	-	2.10	2.05	1.81	2.39	3.15	3.70	4.54	5.20	6.00	380	860
	490.646	○	○	○	-	CC	CE	-	2.40	2.40	2.30	3.03	4.00	4.70	5.77	6.60	7.61	390	960
	490.686	○	○	○	-	CC	CE	-	2.70	2.70	2.87	3.79	5.00	5.88	7.21	8.25	9.52	390	960
	490.706	○	○	○	-	-	CE	-	2.75	2.75	3.22	4.24	5.60	6.59	8.08	9.24	10.66	390	960
	490.726	○	○	○	-	CC	CE	-	3.20	2.80	3.62	4.77	6.30	7.41	9.09	10.40	11.99	390	960
	490.746	○	○	○	-	-	CE	-	3.15	3.15	4.08	5.38	7.10	8.35	10.24	11.72	13.52	390	960
	490.766	○	○	○	-	-	CE	-	3.40	3.40	4.59	6.06	8.00	9.41	11.54	13.20	15.22	390	960
	490.806	○	○	○	-	-	CE	-	3.90	3.90	5.74	7.58	10.00	11.76	14.43	16.51	19.04	390	960
	490.846	○	○	○	-	-	CE	-	4.65	4.00	7.18	9.47	12.50	14.70	18.03	20.63	23.80	390	960
490.886	○	○	○	-	-	-	CG	5.45	4.50	9.19	12.13	16.00	18.82	23.08	26.41	30.46	390	960	
490.926	○	○	○	-	-	-	CG	5.90	4.50	11.49	15.16	20.00	23.52	28.85	33.01	38.07	390	960	
120°	490.368	○	○	○	CA	-	-	-	0.85	0.65	0.36	0.48	0.63	0.74	0.91	1.04	1.20	680	1220
	490.408	○	○	○	CA	-	-	-	1.20	1.20	0.57	0.76	1.00	1.18	1.44	1.65	1.90	680	1220
	490.448	○	○	○	CA	-	-	-	1.30	1.30	0.72	0.95	1.25	1.47	1.80	2.06	2.38	680	1220
	490.488	○	○	○	CA	-	-	-	1.45	1.45	0.92	1.21	1.60	1.88	2.31	2.64	3.05	680	1220
	490.528	○	○	○	CA	-	-	-	1.70	1.70	1.15	1.52	2.00	2.35	2.89	3.30	3.81	680	1220
	490.568	○	○	○	CA	-	-	-	1.90	1.90	1.44	1.89	2.50	2.94	3.61	4.13	4.76	680	1220
	490.608	○	○	○	CA	CC	-	-	2.10	2.05	1.81	2.39	3.15	3.70	4.54	5.20	6.00	680	1220
	490.648	○	○	○	-	CC	CE	-	2.40	2.40	2.30	3.03	4.00	4.70	5.77	6.60	7.61	680	1330
	490.688	○	○	○	-	CC	CE	-	2.75	2.75	2.87	3.79	5.00	5.88	7.21	8.25	9.52	680	1330
	490.708	○	○	○	-	-	CE	-	2.75	2.75	3.22	4.24	5.60	6.59	8.08	9.24	10.66	680	1330
	490.728	○	○	○	-	CC	CE	-	3.20	2.80	3.62	4.77	6.30	7.41	9.09	10.40	11.99	680	1330
	490.748	○	○	○	-	-	CE	-	3.20	3.20	4.08	5.38	7.10	8.35	10.24	11.72	13.52	680	1330
	490.768	○	○	○	-	-	CE	-	3.45	3.45	4.59	6.44	8.00	9.41	11.54	13.20	15.22	680	1330
	490.808	○	○	○	-	-	CE	-	3.90	3.90	5.74	7.58	10.00	11.76	14.43	16.51	19.04	680	1330
	490.848	○	○	○	-	-	CE	-	4.70	4.00	7.18	9.47	12.50	14.70	18.03	20.63	23.80	680	1330
490.888	○	○	○	-	-	-	CG	5.10	4.50	9.19	12.13	16.00	18.82	23.08	26.41	30.46	680	1330	
490.928	○	○	○	-	-	-	CG	5.80	4.75	11.49	15.16	20.00	23.52	28.85	33.01	38.07	680	1330	

B = Bore diameter · E = narrowest free cross section

**Example**    Type    + Material no. + Code = Ordering no.  
for ordering: 490.406    + 1Y                    + CA                    = 490.406.1Y.CA

Conversion formula for the above series:  $\dot{V}_2 = \dot{V}_1 * \left(\frac{p_2}{p_1}\right)^{0.4}$   
(≤ 10 bar)

# Axial-flow full cone nozzles

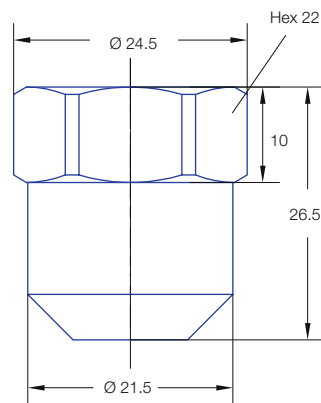
## Series 486


### Series 486

The classical full cone nozzles with R 3/8" female thread connection. Circular uniform full cone spray pattern.

### Applications:

Very common in „Concast“ billet casters.



Spray angle 	Ordering no.				Code	Flow rate (l/min) pressure (bar)					
	Type	Mat. no.		Thread R 3/8" female		1	2	2.8	5	7	10
		30 Brass	1C 304 SS								
45°	486.443	○	○	AF	1545L	0.9	1.3	1.5	1.9	2.3	2.7
	486.493	○	○	AF	2045L	1.3	1.7	2.0	2.6	3.0	3.5
	486.533	○	○	AF	2545L	1.6	2.1	2.5	3.2	3.8	4.4
	486.563	○	○	AF	3045L	1.9	2.6	3.0	3.9	4.5	5.3
	486.593	○	○	AF	3545L	2.2	3.0	3.5	4.5	5.3	6.2
	486.613	○	○	AF	4045L	2.5	3.4	4.0	5.2	6.0	7.1
	486.633	○	○	AF	4545L	2.8	3.9	4.5	5.8	6.8	8.0
	486.653	○	○	AF	5045L	3.1	4.3	5.0	6.5	7.6	8.9
	486.663	○	○	AF	5545L	3.5	4.7	5.5	7.1	8.3	9.8
	486.683	○	○	AF	6045L	3.8	5.2	6.0	7.8	9.1	10.6
	486.713	○	○	AF	7045L	4.4	6.0	7.0	9.1	10.6	12.4
	486.733	○	○	AF	8045L	5.0	6.9	8.0	10.4	12.1	14.2
	486.783	○	○	AF	10045L	6.3	8.6	10.0	13.0	15.1	17.7
486.813	○	○	AF	12045L	7.6	10.3	12.0	15.6	18.1	21.3	
65°	486.394	○	○	AF	1065L	0.6	0.9	1.0	1.3	1.5	1.8
	486.444	○	○	AF	1565L	0.9	1.3	1.5	1.9	2.3	2.7
	486.494	○	○	AF	2065L	1.3	1.7	2.0	2.6	3.0	3.5
	486.534	○	○	AF	2565L	1.6	2.1	2.5	3.2	3.8	4.4
	486.564	○	○	AF	3065L	1.9	2.6	3.0	3.9	4.5	5.3
	486.594	○	○	AF	3565L	2.2	3.0	3.5	4.5	5.3	6.2
	486.604	○	○	AF	3865L	2.4	3.3	3.8	4.9	5.7	6.7
	486.614	○	○	AF	4065L	2.5	3.4	4.0	5.2	6.0	7.1
	486.624	○	○	AF	4265L	2.6	3.6	4.2	5.5	6.3	7.4
	486.634	○	○	AF	4565L	2.8	3.9	4.5	5.8	6.8	8.0
	486.654	○	○	AF	5065L	3.1	4.3	5.0	6.5	7.6	8.9
	486.664	○	○	AF	5565L	3.5	4.7	5.5	7.1	8.3	9.8
	486.684	○	○	AF	6065L	3.8	5.2	6.0	7.8	9.1	10.6
	486.704	○	○	AF	6565L	4.1	5.6	6.5	8.4	9.8	11.5
	486.714	○	○	AF	7065L	4.4	6.0	7.0	9.1	10.6	12.4
	486.724	○	○	AF	7565L	4.7	6.4	7.5	9.7	11.3	13.3
	486.734	○	○	AF	8065L	5.0	6.9	8.0	10.4	12.1	14.2
	486.744	○	○	AF	8565L	5.3	7.3	8.5	11.0	12.8	15.1
	486.764	○	○	AF	9565L	6.0	8.2	9.5	12.3	14.3	16.8
	486.784	○	○	AF	10065L	6.3	8.6	10.0	13.0	15.1	17.7
486.814	○	○	AF	12065L	7.6	10.3	12.0	15.6	18.1	21.3	
486.844	○	○	AF	14665L	9.2	12.5	14.6	19.0	22.1	25.9	
486.854	○	○	AF	15065L	9.4	12.9	15.0	19.5	22.7	26.6	
486.864	○	○	AF	16565L	10.4	14.2	16.5	21.4	24.9	29.3	


Other nozzle types on request.  
Pressure-flow diagrams on request.

**Example**    **Type**    +    **Material no.**    =    **Ordering no.**  
**of ordering:**    **486.443**    +    **30**    =    **486.443.30.AF**

Conversion formula for the above series:  $\dot{V}_2 = \dot{V}_1 * \left(\frac{p_2}{p_1}\right)^{0.45}$   
(≤ 10 bar)

# Axial-flow full cone nozzles

## Series 486

Spray angle 	Ordering no.				Code	Flow rate (l/min) pressure (bar)					
	Type	Mat. no.		Thread R 3/8z female		1	2	2.8	5	7	10
		30 Brass	1C 304 SS								
90°	486.446	○	○	AF	1590L	0.9	1.3	1.5	1.9	2.3	2.7
	486.496	○	○	AF	2090L	1.3	1.7	2.0	2.6	3.0	3.5
	486.536	○	○	AF	2590L	1.6	2.1	2.5	3.2	3.8	4.4
	486.566	○	○	AF	3090L	1.9	2.6	3.0	3.9	4.5	5.3
	486.596	○	○	AF	3590L	2.2	3.0	3.5	4.5	5.3	6.2
	486.606	○	○	AF	3890L	2.4	3.3	3.8	4.9	5.7	6.7
	486.616	○	○	AF	4090L	2.5	3.4	4.0	5.2	6.0	7.1
	486.636	○	○	AF	4590L	2.8	3.9	4.5	5.8	6.8	8.0
	486.646	○	○	AF	4690L	2.9	4.0	4.6	6.0	6.9	8.2
	486.656	○	○	AF	5090L	3.1	4.3	5.0	6.5	7.6	8.9
	486.686	○	○	AF	6090L	3.8	5.2	6.0	7.8	9.1	10.6
	486.706	○	○	AF	6590L	4.1	5.6	6.5	8.4	9.8	11.5
	486.726	○	○	AF	7590L	4.7	6.4	7.5	9.7	11.3	13.3
	486.736	○	○	AF	8090L	5.0	6.9	8.0	10.4	12.1	14.2
	486.766	○	○	AF	9590L	6.0	8.2	9.5	12.3	14.3	16.8
	486.786	○	○	AF	10090L	6.3	8.6	10.0	13.0	15.1	17.7
486.816	○	○	AF	12090L	7.6	10.3	12.0	15.6	18.1	21.3	
486.846	○	○	AF	14690L	9.2	12.5	14.6	19.0	22.1	25.9	

Other nozzle types on request.  
Pressure-flow diagrams on request.



# Oval full cone nozzle

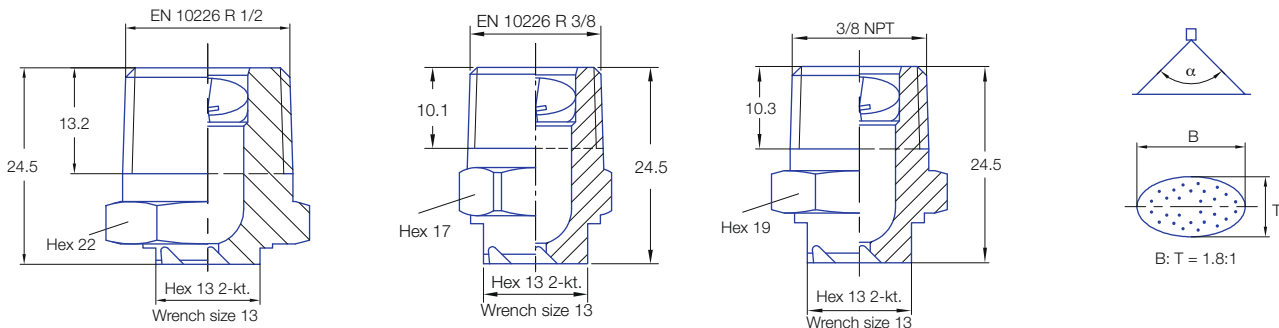
## Series 400.291

### Series 400.291

Oval full cone spray pattern  
 90° x 60°  
 Spray width: 90°  
 Spray depth: 60°

#### Applications:

Single and multi nozzle arrangements in segments for water only secondary cooling in bloom and slab casters. Ideal for foot roller spray positions in order to prevent mould edge erosion by replacing flat fan nozzles. Also suitable for vertical spray positions such as narrow side cooling in slab casters or vertical spray cooling in bloom casters.



Ordering no.	Thread				Narrowest cross section [mm]	Flow rate [l/min] pressure (bar)					
	3/8 NPT	R 1/2"	R 3/8"	R 3/8" secured		1	2	3	5	7	10
400.291.30.X6	○	-	○	○	1.05	1.5	2.0	2.4	3.1	3.6	4.3
400.291.30.X4	○	-	○	○	1.25	2.0	2.7	3.3	4.2	4.9	5.8
400.291.30.X5	○	○	○	○	1.45	2.4	3.4	4.1	5.2	6.1	7.2
400.291.30.X0	○	○	○	○	1.7	3.2	4.4	5.3	6.8	8.0	9.4
400.291.30.X1	○	-	○	-	1.95	4.2	5.9	7.1	9.0	10.5	12.5
400.291.30.X2	○	-	○	-	2.15	4.9	6.8	8.3	10.5	12.3	14.5
400.291.30.X7	-	-	○	-	3.2	11.5	16.0	19.3	24.6	28.8	34.1

Materials: 30 (Brass), 16 (stainless steel) on request.  
 Other nozzle types on request.  
 Pressure-flow diagrams on request.

3/8 NPT: X=1  
 R 1/2: X=7  
 R 3/8: X=0  
 R 3/8 secured: X=5  
 3/8 NPT secured: X=6

Example	Type	+	Thread	=	Ordering no.
of ordering:	400.291.30.X6	+	3/8 NPT	=	400.291.30.16

Conversion formula for the above series:  $\dot{V}_2 = \dot{V}_1 * \left(\frac{p_2}{p_1}\right)^{0.47}$   
 ( $\leq 10$  bar)

# CONTINUOUS CASTING STUDIES

**In addition to Lechler competences in nozzle technology and nozzle layout Lechler also provides detailed engineering knowledge of the continuous casting process and the secondary cooling system.**

The secondary cooling system is a key technology area and its modification can greatly contribute to increased production, quality and flexibility.

A caster secondary cooling audit is a systematic and structured approach to determine how an existing secondary cooling system, operational practices and process automation data, impact on quality and productivity.

The scope of an audit can vary from simply increasing nozzle capacities to a complete redesign of a secondary cooling system.

## Secondary Cooling Audit

- Benchmarking existing conditions
- Diagnosing problems
- Providing solutions
- Proposal and plan on how to implement process, operational and maintenance improvements so that the required objectives are achieved

## Setting the Objectives for a Revamp

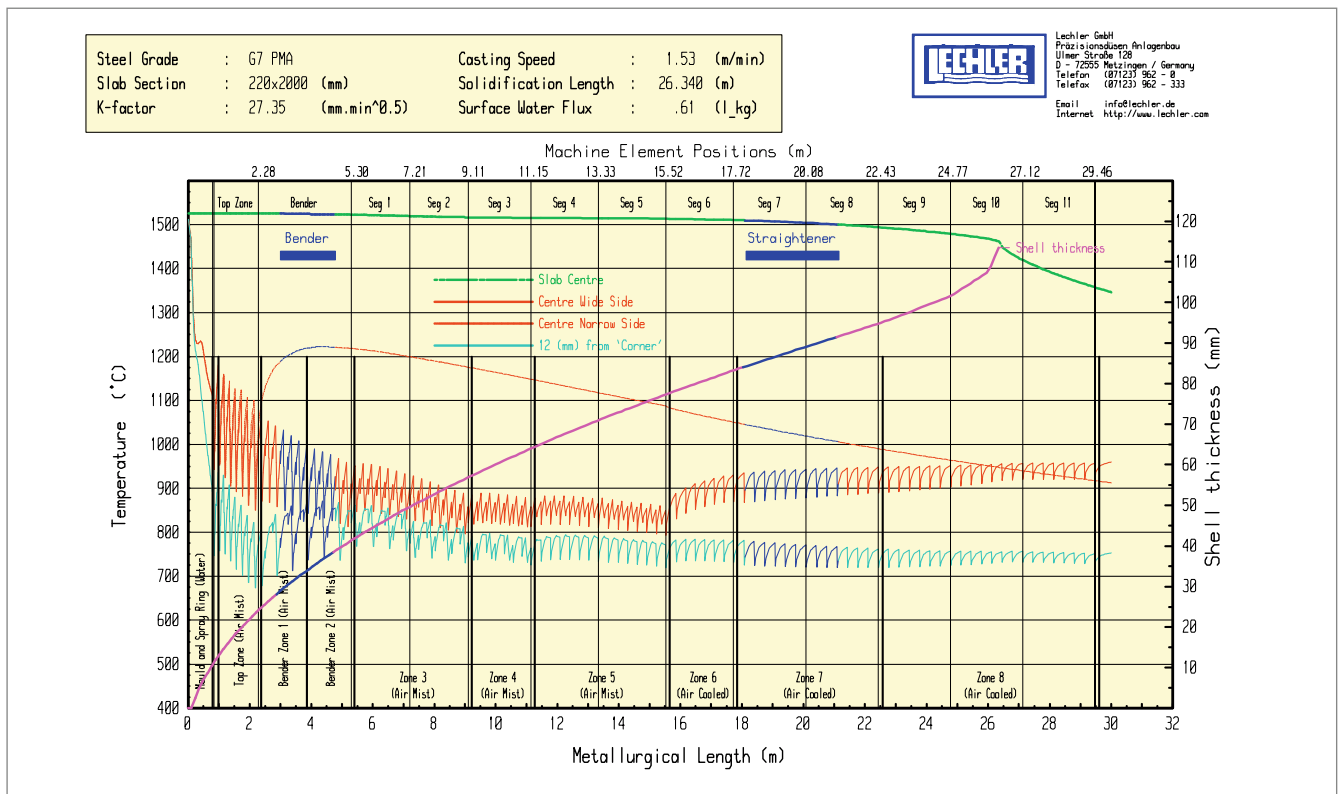
- Identify product quality defects and to eliminate them
- Improve maintenance friendliness and reduce costs
- Increase production by increase of casting speeds
- Change of strand formats and steel grades (product mix)

## Typical Audit procedure

- Benchmarking of Existing Conditions
- Diagnosing Problems
- On Site Plant Survey
- Off Site Analysis
- Conclusive Report

## Providing Solutions

- Conclusions on existing casting conditions
- Secondary cooling layout, Nozzle layout and capacities
- Maximum and minimum flow rates
- Required changes in supply pipe work
- Control instrumentation
- Secondary cooling control and control data
- Conclusions and recommendations on operational and maintenance practices

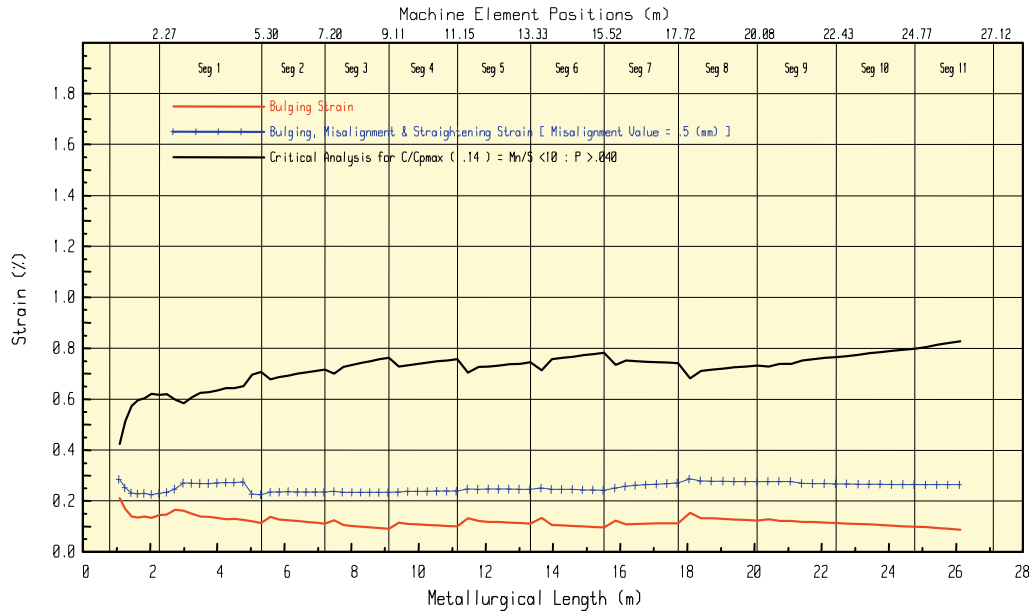


Typical temperature and solidification profile

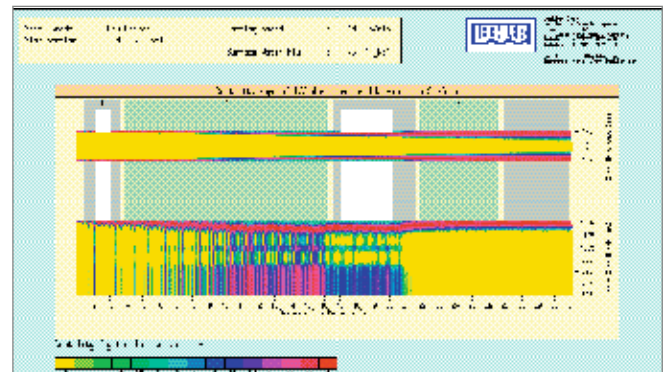
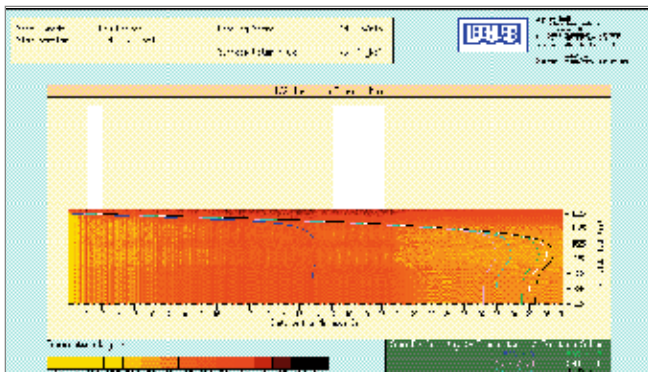
Steel Grade	: G7 PMA	Casting Speed	: 1.53 (m/min)
Slab Section	: 220x2000 (mm)	Solidification Length	: 26.340 (m)
K-factor	: 27.35 (mm.min <sup>0.5</sup> )	Surface Water Flux	: .61 (l/kg)



Lehler GmbH  
 Präzisionsrollen Anlagenbau  
 Ulmer Straße 128  
 D - 72555 Metzingen / Germany  
 Telefon: (07123) 962 - 0  
 Telefax: (07123) 962 - 333  
 Email: info@lehler.de  
 Internet: http://www.lehler.com



Typical strain profile



Typical surface temperature, centre line solidification profile (left) and surface ductility profile (right)

# REASONS FOR NOZZLE REPLACEMENT

## Introduction

As with other manufacturing tools, proper maintenance of spray nozzles components cannot be ignored since there are many factors that will affect their level of performance over time. Experience tells us that nozzles require regular inspection and maintenance and sometimes replacement in order to preserve final product quality and to maintain production processes on a cost-efficient basis.

In the early stages of deteriorating performance, the overall effect may be hardly noticeable. It can be difficult to discover the source of the problem unless you know what to look for. In addition to causing the waste of electrical energy, water, chemicals, and other materials, poor spray nozzle performance can also directly affect the quality of the final product.

Caster performance can be affected significantly with regard to strand surface quality and productivity by damaged, worn or clogged spray nozzles.

Here are the basic problems which can occur when the nozzles used are not well-suited to the application, improperly installed or assembled and/or not properly maintained. But keep in mind that spray nozzles are not designed to last forever, which makes routine nozzles maintenance even more important.

## Erosion/wear

Gradual removal of metal from the nozzle orifice and internal flow passages which become larger and/or distorted. Flow is usually increased, pressure may be decreased, pattern becomes irregular, and the spray drops become larger.

## Corrosion

Breakdown of the nozzle material due to the chemical action of sprayed material or environment. Effect is similar to that caused by erosion and wear, with possible additional damage to the outside surfaces of the nozzle.

## Caking

Build-up of material on the inside or outer edges of the orifice, caused by evaporation of the liquid. This leaves a layer of dried solids and obstructs the orifice or internal flow passages.

## Clogging

Unwanted solid particles blocking the inside of the orifice, restricting the flow and disturbing spray pattern uniformity.



Clogged vane of a full cone nozzle

## Improper assembly

Some nozzles require careful re-assembly after cleaning so that internal components, such as gaskets, o-rings, and internal valves are properly aligned. Improper positioning may cause leakage as well as inefficient spray performance. Overtightening of nozzle caps onto bodies can cause thread stripping.

## Accidental damage

Damage to an orifice or nozzle by inadvertent scratching or by dropping during installation or operation. Also, smaller orifices can be severely damaged by use of improper tools during cleaning.

## Flow rate increase

In all nozzles, the flow rate will increase as the surfaces of the orifice and/or internal vane or core begin to deteriorate. With centrifugal, turbine or similar pumps, which provide variable flow rates at relatively constant pressures, this will result in increased costs of wasted chemicals and water. Possible harm to the product or process quality can also result.

In applications using positive displacement pumps, which provide the same capacity regardless of pressure, the spraying pressure will decrease as the nozzle orifice enlarges because of wear or corrosion. This is effecting the turn down ratio of an air-mist nozzle.

## Spray pattern quality

The pattern of flat fan sprays deteriorates by developing streaks and heavier flows in the center of the pattern, accompanied by a decrease in the effective spray angle coverage. Therefore, in application depending on uniformity of overlapping spray pattern such as coating, these non-uniform spray patterns can seriously affect the application results of the finished product quality.



Mechanically worn retaining nut caused by roller contact. Nozzle extension pipe was not supported and aligned

# MAINTENANCE

## How to detect nozzle problems

### Flow rate

With centrifugal pumps, nozzle flow rates usually increase at a given pressure when the orifice continues to wear. Since this increased flow will not be visually noticeable, periodic flow rate checks are suggested. These checks can be done by monitoring flow meter readings, or by collecting and measuring the spray from the nozzle for a given period of time at a specific pressure. These readings can then be compared to the flow rate listed in catalogue tabulations or compared to the flow readings from new, unused nozzles. When using positive displacement pumps, orifice wear is accompanied by a drop in the liquid line pressure while the flow rate remains constant.

### Spray pattern

Visual inspection can easily reveal changes in the uniformity of flat spray patterns which are caused by orifice damage, clogging or caking; however, in cases where the orifice is wearing gradually, changes in spray pattern may not be detected until after the flow has increased substantially. In applications requiring accurate uniformity of spray coverage, special equipment or tests are required to check pattern uniformity.

### Nozzle alignment

When using several flat spray nozzles on a manifold to provide an overall uniform coverage on a strand passing under the sprays, it is very important that all nozzles be oriented correctly in relation to each other. That is, all the flat spray patterns should be aligned to ensure accurate coverage. All patterns should also be parallel to each other.

## Consider alternatives in your present spray system

Reduce the quantity of abrasive particles or concentration of corrosive chemicals. While these changes cannot be made in most applications, possible reductions in the amount of abrasive particles in the feed liquid, and changes in the size and shapes of the particles may reduce the wear effects. If corrosion is a problem, the corrosive activity of a solution can occasionally be reduced by using different concentrations and/or temperatures, depending on the specific chemicals involved.

In many applications, orifice deterioration and clogging is caused by solid dirt particles in the sprayed liquid. In spraying systems involving continuous spray water recirculation, it's possible for water to be contaminated with dirt and debris which can cause orifice clogging and/or orifice wear. To minimize this type of nozzle problem, line strainers or nozzles with built-in strainers are recommended with a screen mesh size chosen to trap larger particles that may clog the nozzle orifice or vane.

## Prevent damage to the orifice during the cleaning process

As part of a standard nozzle maintenance and inspection procedure, nozzle orifices should be cleaned regularly and carefully, using cleaning probes made of materials much softer than the nozzle orifice surface. Otherwise, the critical orifice shape or size can be permanently damaged, thereby resulting in distorted spray patterns and/or increased capacity.

Specifically, bristle brushes or wooden and plastic probes can be used, while wire brushes, pocket knives or welders' tip cleaning rasps

are to be avoided. In some stubborn clogging problems, it is advisable to soak the clogged orifice in a non-corrosive cleaning chemical to soften or dissolve the clogging substance.

Also cleaning in an ultrasonic bath with a weak acid can dissolve clogging substances.

## Air and water filtration

Lechler recommends to maintain the following air and water quality by means of applying the appropriate utilities.

## Air-Mist Cooling Air Supply

### Dewpoint

3°C

### Cleanliness

99.9% removal of 5 micron particles

99.5% removal of 1 micron particles

### Oil free

The air pressure shall be controlled at 2 bar constant

## Spray Cooling Water Quality

The water presented to the machine is required to be equal to or better than the following conditions:

Suspended Solids	20 ppm
Particle Size	0.2 mm
Total Salt Content	3000 ppm
Sulphate (SO <sub>4</sub> )	500 ppm
Chloride (Cl)	250 ppm
Silica (as SiO <sub>2</sub> )	150 ppm
Carbonate Hardness (CaCO <sub>3</sub> )	300 ppm
Total Hardness (CaCO <sub>3</sub> )	1000 ppm
pH	6 to 9.5
Free Oil	5 ppm
Dissolved Oil	10 ppm

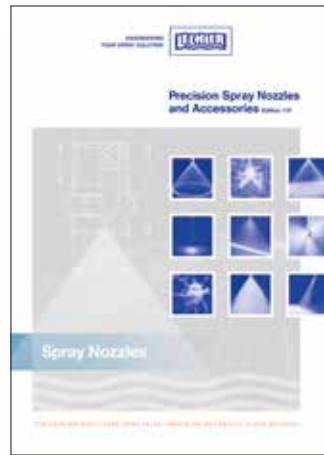


Air mist nozzle after break out of liquid steel

# YOU CAN FIND MORE NOZZLES IN OUR STANDARD CATALOGUE ...

The catalogue „Precision Spray Nozzles and Accessories“ is a sought-after manual of nozzle technology.

It contains valuable working aids and extensive technical information on Lechler products and ordering instructions.



## ... AND IN OUR SPECIAL BROCHURES

We have a collection of information, included in individual subject brochures, covering special nozzles that are also of particular interest to continuous casting.

All documents can be downloaded from our website at [www.lechler.com](http://www.lechler.com). We would also be happy to send you the brochures.



Brochure „Nozzles for Hydromechanical Descaling“



Brochure „Precision Spray Nozzles for Pickling Lines“



Brochure „Billetcooler FLEX®“



Folder „SELECTOSPRAY® Electropneumatic Roll Cooling Systems“



Brochure „Precision Nozzles and Systems for Roll Cooling Solutions in Rolling Mills“



Brochure „Droplet Separator“



Brochure „VarioCool® Nozzle Lances and Systems for Gas Cooling and Conditioning“



Brochure „Air Nozzles and Accessories“

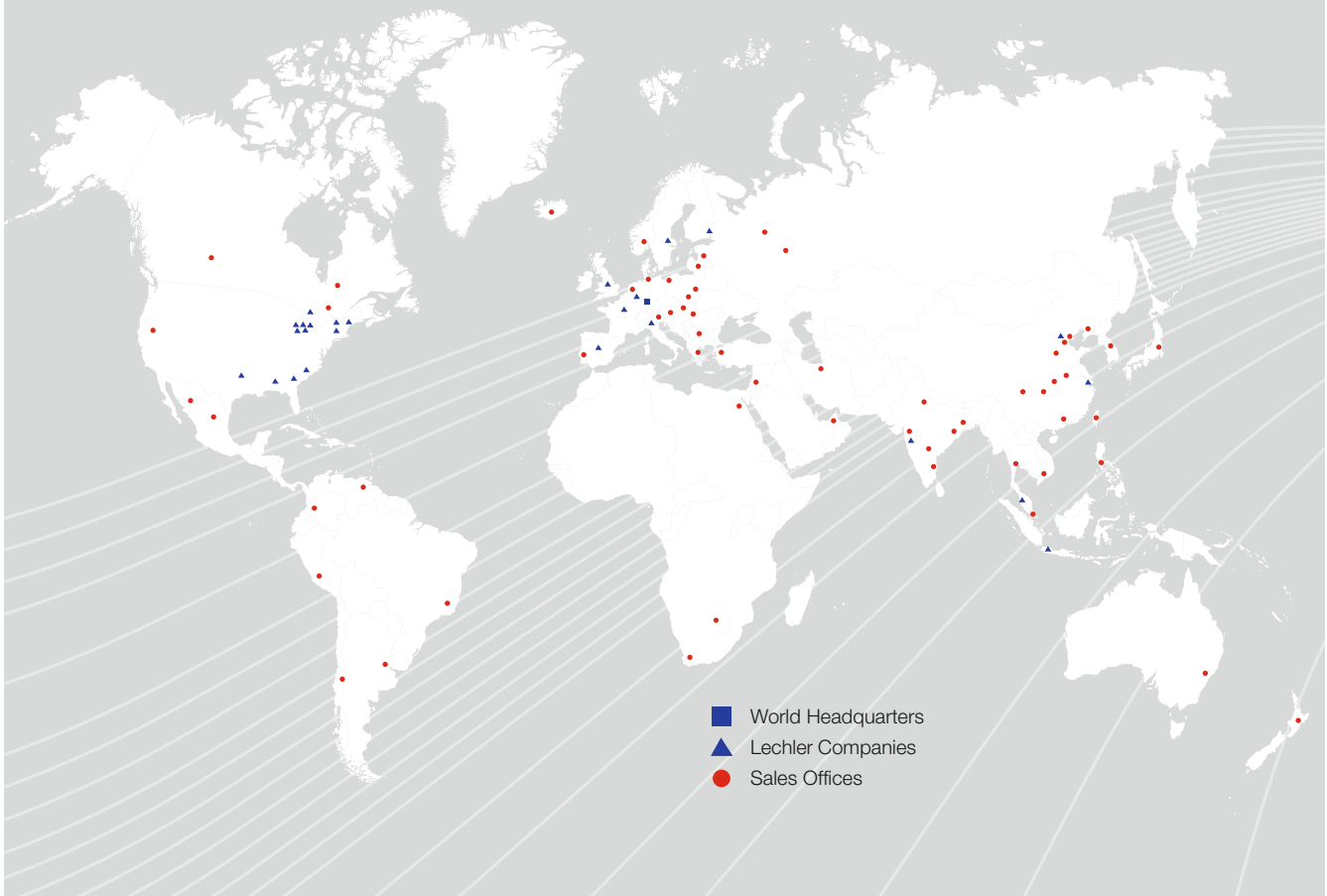
# FOR YOUR NOTES



**ENGINEERING  
YOUR SPRAY SOLUTION**



## LECHLER WORLDWIDE



### Lechler GmbH · Precision Nozzles · Nozzle Systems

Ulmer Strasse 128 · 72555 Metzingen, Germany · Phone: +49 7123 962-0 · [info@lechler.de](mailto:info@lechler.de) · [www.lechler.com](http://www.lechler.com)

**ASEAN:** Lechler Spray Technology Sdn. Bhd. · No. 23 Jalan, Teknologi 3/3A · Kota Damansara · 47810 PJ, Malaysia · Phone +603 6142 1288 · [info@lechler.com.my](mailto:info@lechler.com.my)

**Belgium:** Lechler S.A./N.V. · Avenue Newton 4 · 1300 Wavre · Phone +32 10 225022 · [info@lechler.be](mailto:info@lechler.be)

**China:** Lechler Nozzle Systems (Changzhou) Co., Ltd. · No.99 Decheng Rd, Jintan, Changzhou, JS 213200, P.R.C · Phone +86 519-6822 8088 · [info@lechler.com.cn](mailto:info@lechler.com.cn)

**Finland:** Lechler Oy · Ansatie 6 a C 3 krs · 01740 Vantaa · Phone +358 207 856880 · [info@lechler.fi](mailto:info@lechler.fi)

**France:** Lechler France SAS · Bât. CAP2 · 66-72 Rue Marceau · 93100 Montreuil · Phone +33 1 49882600 · [info@lechler.fr](mailto:info@lechler.fr)

**Great Britain:** Lechler Ltd. · 1 Fell Street, Newhall · Sheffield, S9 2TP · Phone +44 114 2492020 · [info@lechler.com](mailto:info@lechler.com)

**India:** Lechler (India) Pvt. Ltd. · Plot B-2 · Main Road · Wagle Industrial Estate Thane · 400604 Maharashtra · Phone +91 22 40634444 · [lechler@lechlerindia.com](mailto:lechler@lechlerindia.com)

**Italy:** Lechler Spray Technology S.r.l. · Via Don Dossetti, 2 · 20080 Carpiano (Mi) · Phone +39 2 98859027 · [info@lechleritalia.com](mailto:info@lechleritalia.com)

**Russia:** Lechler Rus · OOO, 108811, Moscow, Settlement Moskovskiy, Kiewskoe Chaussee km 22 · Object 4, Bld. 2, Block G, Floor 6, Office 601/G · [info@lechler-rus.ru](mailto:info@lechler-rus.ru)

**Spain:** Lechler, S.A. · C / Isla de Hierro, 7 – Oficina 1.3 · 28703 San Sebastián de los Reyes (Madrid) · Phone +34 91 6586346 · [info@lechler.es](mailto:info@lechler.es)

**Sweden:** Lechler AB · Kungsängsvägen 31B · 753 23 Uppsala · Phone +46 18 167030 · [info@lechler.se](mailto:info@lechler.se)

**USA:** Lechler Inc. · 445 Kautz Road · St. Charles, IL 60174 · Phone +1 630 3776611 · [info@lechlerusa.com](mailto:info@lechlerusa.com)