

DOSING UNITS, VERTICAL DESIGN



OVERVIEW

The most modern pump technology
 Standardized mounting plates
 Space-saving wall mounting
 Wide range of applications
 High safety standard
 Large range of capacity
 High dosing accuracy
 Easy to operate
 Low maintenance
 Complete range of accessories

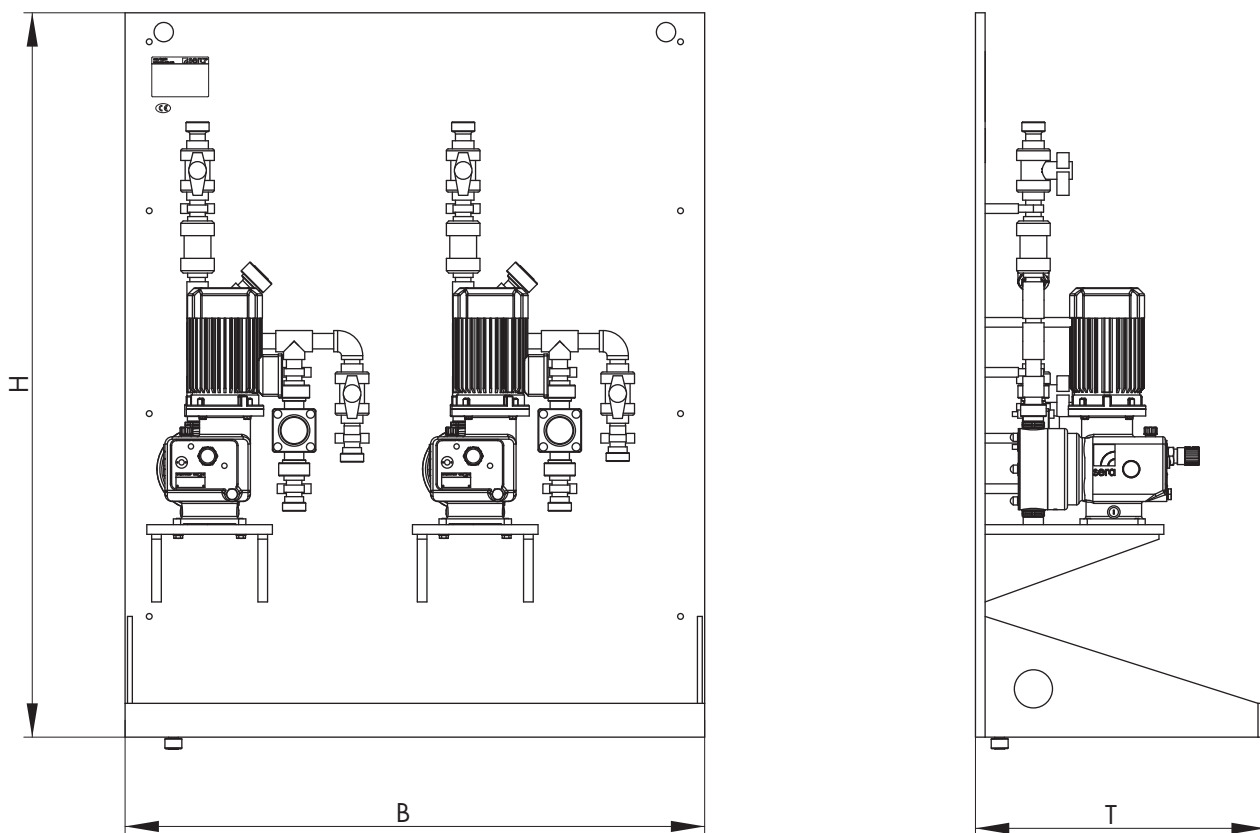
TECHNICAL DATA

UNIT DATA		CVD2-60.1	CVD2-550.1	CVD2-1500.1
Flow capacity	l/h	2x 0 - 60	2x 0 - 550	2x 0 - 1500
Permissible counter pressure	bar (max)	10	8	5
Permissible suction head	mWC (max)	3	3	3
Number of pumps	Quantity	2	2	2

ALLOCATION OF DOSING PUMPS

PUMP SERIES	CVD2-60.1	CVD2-550.1	CVD2-1500.1
Solenoid diaphragm pumps  <ul style="list-style-type: none"> C 204.1-2,4e C 204.1-7,0e C 204.1- 10e C 204.1- 35e 		X	X
Stepper motor diaphragm pumps  <ul style="list-style-type: none"> iSTEP S 20 iSTEP S 30 iSTEP S 40 iSTEP S 50 		X	X
Diaphragm pumps  <ul style="list-style-type: none"> C409.2-25e Pro+ ... C409.2-50e Pro+ RF409.2-2,4e ... RF 409.2-50e 		C409.2-75e Pro+ ... C409.2-350e Pro+ RF409.2-75e ... RF 409.2-350e C410.2-280e ... C410.2-570e RF410.2-280e ... RF410.2-570e	C410.2-900e ... C410.2-1450e RF410.2-900e ... RF410.2-1450e
Multi-layer diaphragm pumps  <ul style="list-style-type: none"> C409.2-11 ML Pro+ C409.2-17 ML Pro+ C409.2-45 ML Pro+ RF409.2-11 ML ... RF409.2-45 ML 		C409.2-110 ML Pro+ C409.2-220 ML Pro+ RF409.2-110 ML ... RF409.2-220 ML C410.2-500 ML RF410.2-135 ML ... RF410.2-500 ML	RF410.2-1200 ML

DIMENSIONS



Application example (basic design)

	H	B	T
CVD2 - 60.1	1.500	1.200	600
CVD2 - 550.1	1.500	1.200	600
CVD2 - 1500.1	1.500	1.200	600

DOSING UNITS, VERTICAL DESIGN

BASIC DESIGNS

CVD 2

2x Dosing pump
 2-way shut-off valve on the pressure side (Shut off/Emptying)
 Diaphragm relief valves
 Wall mounting plat made of PP (H=1.500mm, with drip pan)
 Piping on pressure side made of PVC-U or PP
 Seals made of EPDM or FPM

Connection suction side: External thread of pump's suction valve

Connection pressure side: External thread of final shut-off valve

Type	Price (EUR)
CVD 2 - 60.1	🕒
CVD 2 - 550.1	🕒
CVD 2 - 1500.1	🕒

OPTIONS

	Price [EUR]
Diaphragm pulsation damper	720.1 (up to 25 l/h) ▲
	721.2 (up to 50 l/h) ▲
	722.1 (up to 220 l/h) ▲
	723.1 ▲
	Note: Use 2 dampers in case of 2 separate pressure sides 713.1 ▲
Suction side with shut-off valve and line strainer (1x each pump) ▲	
Suction side connecting piping (Pump 1 and pump 2) ▲	
Feedback pipe from relief valve back to suction side (only in combination with suction side pipework; 1x each pump) ▲	
Pressure side connecting piping (Pump 1 and pump 2) ▲	
Multifunction device (priming aid/calibration pot) ▲	

OPTIONS

			Price [EUR]
Protective cabinet			▲
Heating for protective cabinet			▲
Lighting for protective cabinet			▲
Splash guard (removable)			▲
Framework for loor mounting	Galvanized steel		▲
	Plastic		▲
Leckage sensor	without WHG-approval		▲
	with WHG-approval		▲
Shut-off valve for emptying of the drip pan			▲
Terminal box	RF-Pump		▲
	C-Pump	up to 0,37 kW	▲
	C-Pump	from 0,75 kW	▲
Terminal box (with power socket)	C-Pump	up to 0,37 kW	▲
	C-Pump	from 0,75 kW	▲
Power socket (each pump)	Shockproof socket (C-pumps)		▲
	CEE power socket (C-pumps with compact drive)		▲
ON-/OFF-Switch (not in association with terminal box or power socket)	409.2/410.2		▲
Protective roof for driving motor			▲
Dosing Hose, flexible stainless steel (1.4401, FEP) (see also chapter 4, connecting parts)	L=500mm, G3/4	Art.No.: 90049993	▲
	L=500mm, G1	Art.No.: 90049994	▲

Further accessories on request