

Pressure Gauge Valves

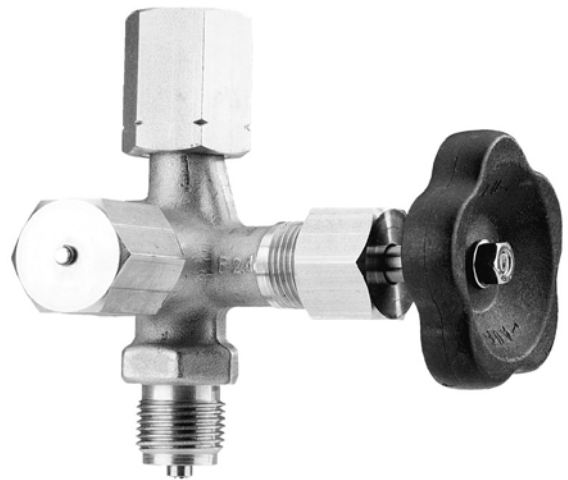
to DIN 16270 , DIN 16271 , DIN 16272

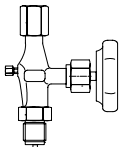
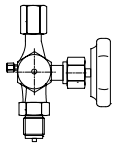
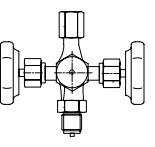
Application

Pressure gauge valves are intended to isolate the pressure gauge from the pressure medium in order to enable inspection or replacement of the gauge.

Features

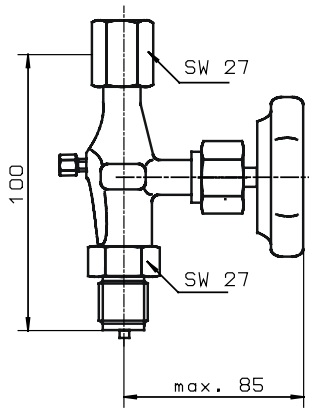
Pressure gauge valves are suitable up to PN 250 to PN 400 bar pressure rating and temperature span from -20°C to 200 °C for liquids, gaseous media and vapours.



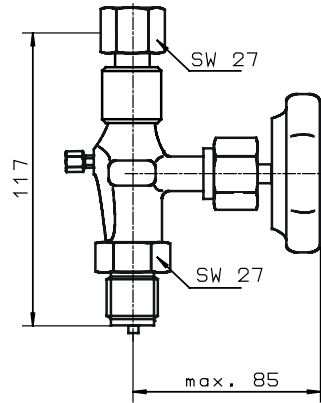
Design	Connection	Material	PN in bar	Temperature range	Form	Article no.
	to DIN 16 270, without test connector Form A with swiveling nut to DIN 16283 Form B union with tall nipple per DIN 16284 and shaft to fit surface mounting bracket					
	G 1/2 oder M 20 x 1,5	Brass	250	-10...+120°C	A	MV 101
		Steel	400	-10...+120°C	B	MV 111
					A	MV 102
		CrNi steel	400	-20...+200°C	B	MV 112
					A	MV 103
		B	MV 113			
	to DIN 16 271, with test connection M 20 x 1,5 Form A with swiveling nut to DIN 16283 Form B union with tall nipple per DIN 16284 and shaft to fit surface mounting bracket					
	G 1/2 oder M 20 x 1,5	Brass	250	-10...+120°C	A	MV 201
		Steel	400	-10...+120°C	B	MV 211
					A	MV 202
		CrNi steel	400	-20...+200°C	B	MV 212
					A	MV 203
		B	MV 213			
	to DIN 16 272, with separate shut off test connection M 20 x 1,5 Form A with swiveling nut to DIN 16 283 Form B union with tall nipple per DIN 16284 and shaft to fit surface mounting bracket					
	G 1/2 oder M 20 x 1,5	Brass	250	-10...+120°C	A	MV 301
		Steel	400	-10...+120°C	B	MV 311
					A	MV 302
		CrNi steel	400	-20...+200°C	B	MV 312
					A	MV 303
		B	MV 313			

to DIN 16270

Form A

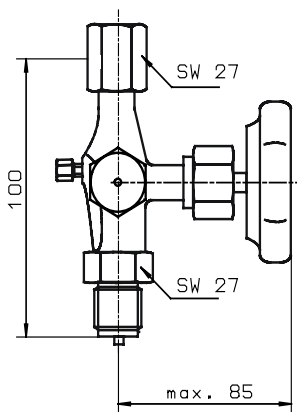


Form B

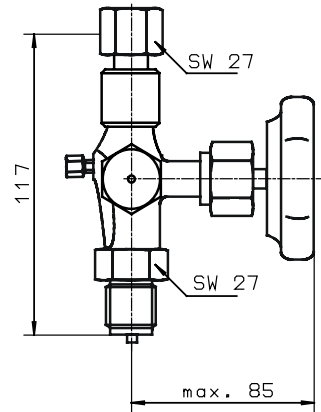


to DIN 16 271

Form A

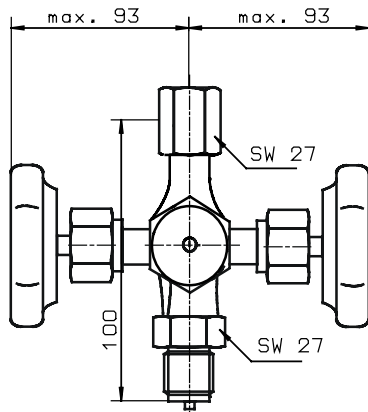


Form B



to DIN 16 272

Form A



Form B

