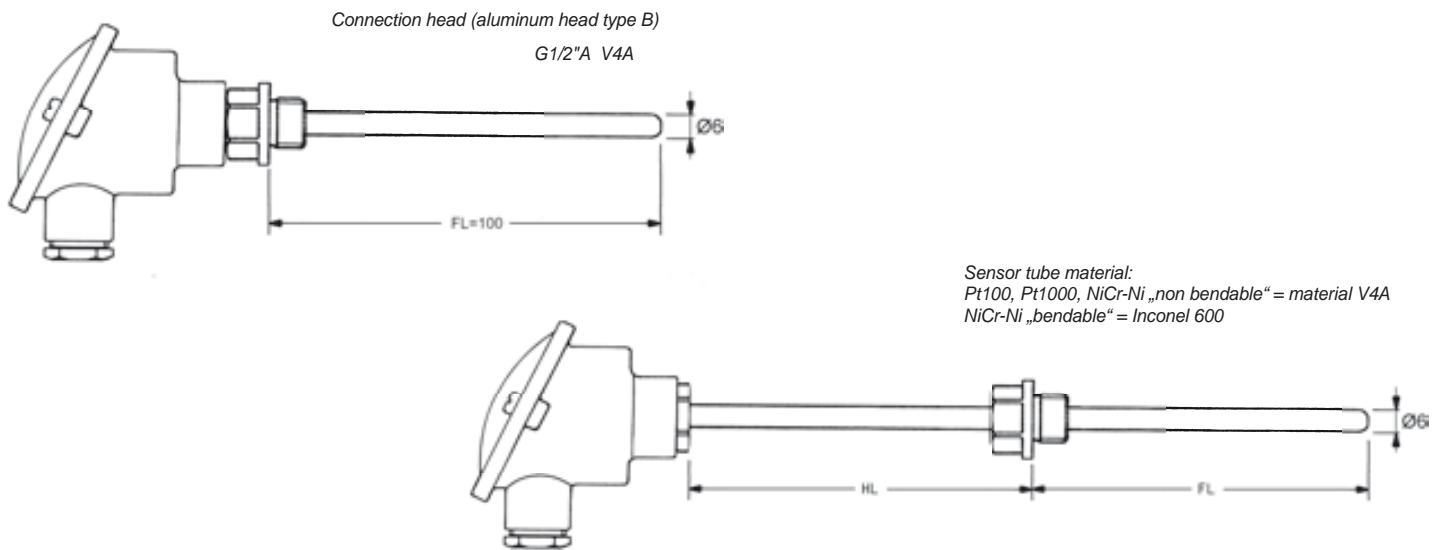


Industry - temperature probe



GTF 103

Temperature probe

GTF 103

1	2	3	4	5	6	7	8	9	10	11	12	13	14
---	---	---	---	---	---	---	---	---	----	----	----	----	----

Product key:	
1. Standard signal	
O	without output signal
G	with output signal
2. Sensor element	
P	Pt100
S	Pt1000
K	NiCr-Ni type K
3. Accuracy class	
B	DIN class B (Pt100 or Pt1000)
A	DIN class A (Pt100 or Pt1000)
D	1/3 DIN class B (Pt100 or Pt1000)
Z	1/10 DIN class B (only Pt100)
1	class 1 NiCr-Ni type K
4. Sensor element connection	
2L	2-wire
3L	3-wire
4L	4-wire
5. Connection head	
A	sensor head made of aluminum (DIN B head)
E	sensor head made of stainless steel
K	sensor head made of plastic
S	small sensor head (design type DE)
6. Measuring insert	
0	measuring insert not exchangeable
MA	measuring insert exchangeable
7. Process connection	
N	without process connection
J	with process connection
8. Neck tube	
K	no neck tube
M	with neck tube
9. Size of process connection	
G1	G 1/2
G2	G 1/4
G5	G 3/8
M14	M14x1.5
xxx	other thread
10. Length of neck tube	
000	no neck tube
050	50 mm
100	100 mm
xxx	other neck tube length

11. Probe diameter	
30	3 mm
40	4 mm
50	5 mm
60	6 mm
80	8 mm
xxx	other diameter
12. Fitting length	
0050	50 mm
0100	100 mm
0150	150 mm
0250	250 mm
0500	500 mm
xxxx	any length in mm (e.g. 0600 = 600 mm)
13. Measuring range	
MB1	-50 ... +200 °C
MB2	-50 ... +400 °C
MB3	-50 ... +600 °C
MBS	other measuring range
14. Option	
00	without option

Special design types:

... / RT420
with transducer for Pt100,
Output signal 4-20 mA, working temperature -40 ... +85 °C,
measuring ranges p.r.t. page 110 (to be stated on order!)

... / T03 BU
with transducer for Pt100,
Output signal 0-10 V, working temperature -40 ... +85 °C,
measuring ranges p.r.t. page 109 (to be stated on order!)

... / GITT
with electrically isolated transducer for Pt100/1000, NiCr-Ni,
output signal 4-20 mA, working temperature -40 ... +85 °C,
measuring range to be stated on order! (p.r.t. page 111)

Special designs can be ordered only in written form (fax/letter/email) and are excluded from exchange!