

Product Information

UR3K-015..050VM / K

Flow Switch
UR3K-...V

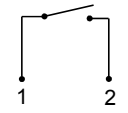


- Soldered/welded connection
- Reed switch
- Low pressure loss
- Compact design
- Threaded connection
- Plug DIN 43650-A / ISO 4400

Characteristics

The devices function via the principle of a spring-supported paddle, and the magnetic triggering of a reed switch.

Technical data

Switch	reed switch	
Nominal width	DN 15..80	
Process connection	soldered/welded nozzle (further process connections available on request)	
Switching range	8.5..248 l/min	for details see table "Ranges"
Q _{max.}	to 600 l/min	
Tolerance	±15 % of full scale value	
Pressure resistance	PN 25 bar	
Medium temperature	-20..+110 °C	
Ambient temperature	-20..+70 °C	
Media	water (oils, gases and aggressive media available on request)	
Wiring	normally open (n.o.) No. 0.372 	
Switching voltage	max. 230 V AC	
Switching current	max. 1 A	
Switching capacity	max. 50 VA	
Protection class	2 - safety insulation	
Ingress protection	IP 65	
Electrical connection	plug DIN 43650-A / ISO 4400, optionally for round plug connector M12x1, 4-pole	

Materials medium-contact	Brass construction: CW614N, CW614N nickelled, 1.4310, 1.4301, hard ferrite, NBR	Stainless steel construction: 1.4305, 1.4571, 1.4310, NBR, hard ferrite PTFE coated, FKM
Non-medium contact materials	ABS, PA, NBR	
Weight	0.3 kg	
Installation location	Standard: horizontal inwards flow; switching head not recommended underneath; other installation positions are possible; the installation position affects the switching point and range.	

Ranges

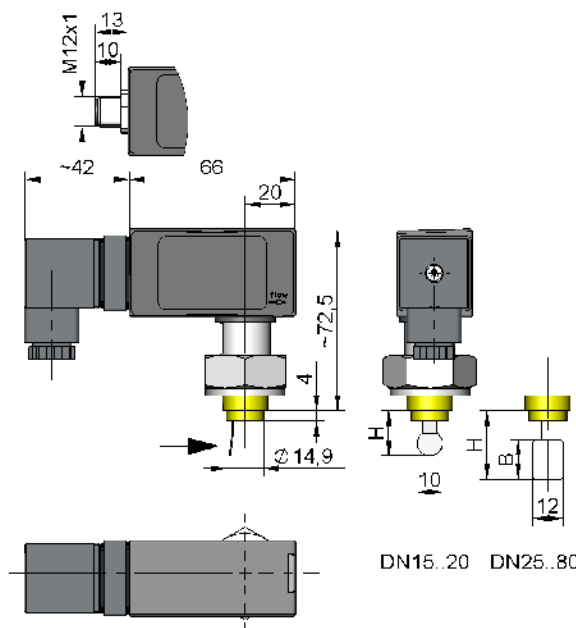
Details in the table correspond to horizontal inwards flow with decreasing flow rate.

DN	Switching range l/min H ₂ O	Types	Q _{max.} recommended
DN 15	8.5 - 11.0	UR3K-015V.	20
DN 20	14.0 - 19.0	UR3K-025V.	40
DN 25	15.0 - 20.0		80
DN 32	39.0 - 52.0		100
DN 40	49.0 - 64.0	UR3K-050V.	150
DN 50	68.0 - 84.0		200
DN 65	127.0 - 163.0		400
DN 80	189.0 - 248.0		600

Special ranges are available.

Dimensions

DN	Types	H	D	A	B
DN 15..20	UR3K-015V.	18.5	13	-	-
DN 25..50	UR3K-025V.	27.0	-	12	16
DN 50..80	UR3K-050V.	40.5	-	-	19



Product Information

UR3K-015..050VM / K

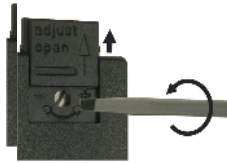
Handling and Operation

Note

- Include straight calming section of 5 x DN in inlet and outlet
- When tightening the union nut, the connection piece must be countered using an open-ended spanner (SW 19).
- Include a filter if the media are dirty (use magnetic filter for ferritic components).
- It must be ensured that the values given for voltage, current, and power are not exceeded.
- When switched on, a load must be connected in series.
- The electrical details apply to ohmic loads. Capacitive, inductive and lamp loads must be operated using a protective circuit.

Adjustment

To adjust, open the slider. Adjustment is made using the adjustment screw with a lengthways slot; this is located under the valve.



Turn clockwise for a lower switching point; turn anticlockwise for a higher switching point.
 After adjustment, close the slider again.

Example: The adjustment range 20 to 27 l/min corresponds to 7 l/min Adjustment option in 7 revolutions. Adjustment is therefore 1 l/min for each revolution.

Ordering code

UR3K - 1. 2. 3.
 UR3K - V

○=Option

1. Nominal width	
015	DN 15..25
025	DN 25..40
050	DN 50..80
2. Process connection	
V	soldered/welded nozzle
3. Connection material	
M	brass
K	stainless steel

Options

- Connection for round plug-in connector
- Signal lamp red or red/green in the plug DIN 43650-A
- Protective bellows
- Switching ranges for oil or gas
- Special quantity
- Adhesive PVC fitting

Ordering information

- Specify direction of flow, medium, and switching range.
- For UR2 specify normally closed (n.c.) or normally open (n.o.).
- For oils, state viscosity, temperature and designation (e.g. ISO VG 68) (enquire about range).
- For gases, state pressure (relative or absolute), temperature and medium (e.g. air) (enquire about range).