

**Product Information**

**TX-015..200FT**

**Flow Switch /  
Indicator TX-...FT**



- Monitor and display
- Media temperature up to 350 °C
- Highly reproducible
- Insensitive to dirt
- DIN flange housing

**Characteristics**

The volume flow raises a disc unit with tappet rod and magnet against a spring force. This actuates a hermetically separated micro switch and a hermetically separated display

**Technical data**

<b>Switch</b>	micro switch	
<b>Nominal width</b>	DN 15..200	
<b>Process connection</b>	flange DIN 2545 PN 40	
<b>Switching range</b>	2..1250 l/min	for details see table "Ranges"
<b>Q<sub>max.</sub></b>	to 4,000 l/min	
<b>Tolerance</b>	±5 % of full scale value	
<b>Pressure resistance</b>	PN 40 bar /20°C fore more informations see "Handling and operation"	
<b>Medium temperature</b>	-20..+350 °C	
<b>Ambient temperature</b>	-20..+70 °C	
<b>Media</b>	water (oils available on request)	
<b>Wiring</b>	changeover no. 0.213	
<b>Switching voltage</b>	max. 250 V AC	
<b>Switching current</b>	max. 6 A	
<b>Protection class</b>	2 - safety insulation	
<b>Ingress protection</b>	IP 44	
<b>Connection</b>	plug DIN 43650-A / ISO 4400 or cable screw gland with 2.5 m cable	
<b>Materials medium-contact</b>	cast steel GGS 25, 1.4571, 1.4301, 1.4305, 1.4310, Sigraflex V20011Z3l, hard ferrite, FKM	
<b>Non-medium-contact materials</b>	Acrylic (XT), PA, POM, CW614N nickelled, steel coated with Rilsan	

<b>Weight</b>	see table "Dimensions and weights"
<b>Installation location</b>	Standard: horizontal inwards flow; switching head not recommended underneath; other installation positions are possible; the installation position affects the switching point and display range.

**Ranges**

Details in the table correspond to horizontal inwards flow with decreasing flow rate.

Nominal width	Switching range	Q <sub>max.</sub> recommended	Type
	l/min H2O		
DN 15	2 - 8	20	TX-015FT0008
	4 - 20	30	TX-015FT0020
DN 20	10 - 40	40	TX-020FT0020
		55	TX-020FT0040
DN 25	20 - 60	60	TX-025FT0040
		80	TX-025FT0060
DN 32	30 - 100	100	TX-032FT0060
		135	TX-032FT0100
DN 40	50 - 200	150	TX-040FT0100
		270	TX-040FT0200
DN 50	100 - 250	340	TX-050FT0250
		400	TX-050FT0250
DN 65	150 - 300	600	TX-065FT0250
			TX-065FT0300
DN 80	300 - 450	950	TX-080FT0300
			TX-080FT0450
DN 100	200 - 400	2000	TX-100FT0400
	350 - 500		TX-100FT0500
DN 150	600 - 750	4000	TX-150FT0750
	700 - 950		TX-150FT0950
DN 200	850 - 1050	1250	TX-200FT1050
	1050 - 1250		TX-200FT1250

Special ranges are available

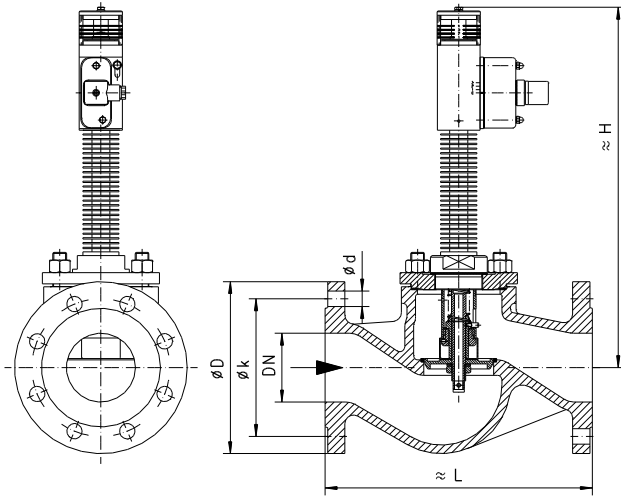
**Dimensions and weights**

DN	Types	H	L	D	k	d	Weight kg
15	TX-015FT	370	130	95	65	4 x 14	6.0
20	TX-020FT		150	105	75		6.5
25	TX-025FT	380	160	115	85		8.5
32	TX-032FT		180	140	100	4 x 18	10.5
40	TX-040FT	390	200	150	110		13.0
50	TX-050FT		230	165	125	8 x 18	15.5
65	TX-065FT	410	290	185	145		25.5
80	TX-080FT	430	310	200	160	31.0	
100	TX-100FT	450	350	235	190	8 x 22	38.0
150	TX-150FT	510	480	300	250		8 x 26
200	TX-200FT	580	600	375	320	12 x 30	154.0

**Product Information**

**TX-015..200FT**

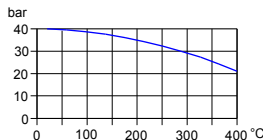
- Overall length                   DIN 3202, range F1
- Flange                            DIN 2545 PN 40
- Flange size                    DIN 2501 PN 40
- Sealing bar                    DIN 2526 form C



**Handling and operation**

**Note**

- Include straight calming section of 5 x DN in inlet and outlet
- Include a filter if the media are dirty (use magnetic filter for ferritic components).
- It must be ensured that the values given for voltage, current, and power are not exceeded.
- When switched on, a load must be connected in series.
- The electrical details apply to ohmic loads. Capacitive and inductive loads must be operated using a protective circuit.
- Stability to pressure depends on operating temperature



**Adjustment**

Loosen screw slightly, push the switching head into the desired position, and then retighten the screw.

**Display**

- The display is rotatable.



**Ordering code**

TX -  1.  2.  3.  4.  5.

TX -  **F** **T**

1. Nominal width											
015	DN 15										
020	DN 20										
025	DN 25										
032	DN 32										
040	DN 40										
050	DN 50										
065	DN 65										
080	DN 80										
100	DN 100										
150	DN 150										
200	DN 200										
2. Process connection											
F	flange										
3. Connection material											
T	cast steel										
4. Switching range H <sub>2</sub> O for horizontal inwards flow											
0008	2 - 8 l/min										●
0020	4 - 20 l/min										● ●
0040	10 - 40 l/min										● ●
0060	20 - 60 l/min										● ●
0100	30 - 100 l/min										● ●
0200	50 - 200 l/min										● ●
0250	100 - 250 l/min										● ●
0300	150 - 300 l/min										● ●
0400	200 - 400 l/min										●
0450	300 - 450 l/min										●
0500	350 - 500 l/min										●
0750	600 - 750 l/min										●
0950	700 - 950 l/min										●
1050	850 - 1,050 l/min										●
1250	1050 - 1,250 l/min										●
5. Connection											
B	plug DIN 43650-A / ISO 4400										
K	cable screw gland with 2.5 m cable										

**Options**

- DIN 43650-A plug
- Signal lamp red or red/green in the plug DIN 43650-A
- Other signal lamp
- Stainless steel housing
- Switching ranges for oil
- Special values

**Ordering information**

- Specify direction of flow, medium, and switching range.
- For oils. State viscosity, temperature and designation (e.g. ISO VG 68) (enquire about switching range).