

Product Information

**Vacuum Pressure Switch
 VP**



- From 0.2 bar absolute
- Adjustable
- Small hysteresis
- Normally open/normally closed contact

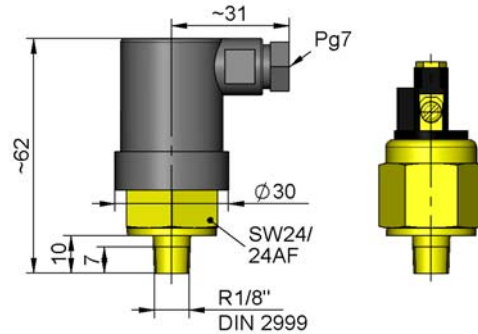
Characteristics

Mechanical pressure controller in which a membrane is pre-tensioned by a spring. An adjustment screw permits the setting of the spring pre-tension, and therefore of the switching point.

Technical data

Switch	mechanical switch
Process connection	male thread R 1/8" (further process connections available on request)
Switching range	200..900 mbar absolute
Tolerance	±50 mbar (25 °C)
Hysteresis	~ 20 mbar (25 °C)
Pressure resistance	PN 20 bar
Media temperature	-5..+60 °C optionally -25..+140 °C available on request
Ambient temperature	-5..+60 °C
Media	water, oils, gases
Wiring	<p>normally open NO No. 0.212</p> <p>normally closed NC No. 0.214</p>
Switching voltage	max. 48 V AC
Switching current	max. 0.5 A (0.2 A inductive)
Protection class	1 - PE connection
Ingress protection	IP 65
Electrical connection	screw clamp
Materials medium-contact	NBR, 1.4310, body steel or stainless steel
Non-medium-contact materials	PA 6.6 body steel or stainless steel
Weight	0.07 kg
Installation location	installation location as desired, switching head not recommended underneath

Dimensions



Handling and operation

Note:

- If the media are dirty, install a filter.
- It must be ensured that the values given for voltage, current, and power are not exceeded.
- When switch on, a load must be connected in series.

Adjustment

- Loosen the cap and set the desired switching value using the adjustment screw. Attach the hood back on to the device.



Ordering code

1. 2. 3. 4. 5.
 VP -

1. Switching range	900	200 - 900 mbar absolute
2. Connection material	K	stainless steel
	S	steel
3. Connection size	004	thread R 1/8"
4. Process connection	H	screw-in thread
5. Wiring	S	'normally open', no. 0.212
	O	'normally closed', no. 0.214

Options

- Adjustment