

Product Information

Pressure Switch PH



- Highly reproducible
- Adjustable
- Normally open/normally closed contact
- Cable outlet at side

Characteristics

Mechanical pressure controller in which a membrane or piston is pretensioned by a spring. An adjustment screw permits the setting of the spring pre-tension, and therefore of the switching point.

Technical data

Switch	mechanical switch	
Process connection	male thread R 1/8" (further process connections available on request)	
Switching range	0.15..150 bar	for details see table "Ranges"
Tolerance	±0.2..5 bar	
Hysteresis	0.15..10 bar	
Pressure resistance	PN 80..300 bar	
Media temperature	-5..+60 °C optionally -30..+140 °C available on request	
Ambient temperature	-5..+60 °C	
Media	water, oils, gases	
Wiring	normally open NO no. 0.212	
	normally closed NC no. 0.214	
Switching voltage	max. 48 V AC	
Switching current	max. 0.5 A (0.2 A inductive)	
Protection class	1 - PE connection	
Ingress protection	IP 65	
Electrical connection	screw clamp	
Materials medium-contact	NBR, 1.4310, body brass, steel, or stainless steel	
Non-medium-contact materials	PA 6.6 body brass, steel, or stainless steel	
Weight	0.08 kg	
Installation location	installation location as desired, switching head not recommended underneath	

Ranges

Connection material brass

Switching range bar (rel.)	PN bar	Tolerance (25 °C) bar	Hysteresis (25 °C) bar	Functional principle	Types
0.15 - 2	80	±0.2	0.15	Membrane	PH-002M004 H
2.00 - 10		±0.3	0.20		PH-010M004 H

Connection material stainless steel

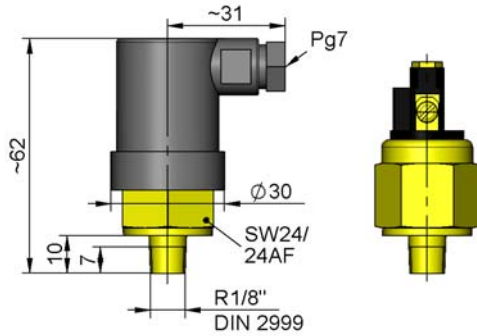
Switching range bar (rel.)	PN bar	Tolerance (25 °C) bar	Hysteresis (25 °C) bar	Functional principle	Type
0.15 - 2	80	±0.2	0.15	Membrane	PH-00 2K004 H
2.00 - 10		±0.3	0.20		PH-01 0K004 H
10.00 - 20	150	±0.4	0.30	Membrane	PH-02 0K004 H
20.00 - 50		±1.0	0.80		PH-05 0K004 H
50.00 - 80	300	±2.0	5.50	Piston	PH-08 0K004 H
50.00 - 150		±5.0	10.00		PH-15 0K004 H

Connection material steel

Switching range bar (rel.)	PN bar	Tolerance (25 °C) bar	Hysteresis (25 °C) bar	Functional principle	Types
10 - 20	150	±0.4	0.3	Membrane	PH-02 0S004 H
20 - 50		±1.0	0.8		PH-05 0S004 H
50 - 80	300	±2.0	5.5	Piston	PH-08 0S004 H
50 - 150		±5.0	10.0		PH-15 0S004 H

Product Information

Dimensions



Ordering code

PH - 1. 2. 3. 4. 5.
 PH - 004 H

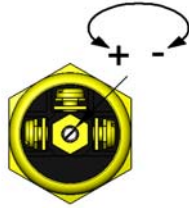
Handling and operation

Note:

- If the media are dirty, install a filter
- It must be ensured that the values given for voltage, current, and power are not exceeded.
- When switch on, a load must be connected in series.

Adjustment

- Loosen the cap and set the desired switching value using the adjustment screw. Then attach the hood back onto the device.



1. Switching range						
002	0.15 - 2 bar					
010	2.00 - 10 bar					
020	10.00 - 20 bar					
050	20.00 - 50 bar					
080	50.00 - 80 bar					
150	50.00 - 150 bar					
2. Connection material						
M	brass					● ●
K	stainless steel		● ●	● ●	● ●	● ●
S	steel		● ●	● ●	● ●	● ●
3. Connection size						
004	thread R 1/8"					
4. Process connection						
H	screw-in thread					
5. Wiring						
S	'normally open', no. 0.212					
O	'normally closed', no. 0.214					

Options

- Membrane made of FKM
- Media temperature -30..+140 °C
- Adjustment