

Product information

Pressure Switch PAK



- Repeability
- Adjustable switch point
- Change over contact
- Plug DIN 43650-A / ISO 4400 or Circular plug M12×1

Characteristics

Mechanical pressure switch in which a membrane is pre-tensioned by a spring. An adjustment knob permits the setting of the switch point. The setting can be fixed with hexagon socket screw.

Technical Data

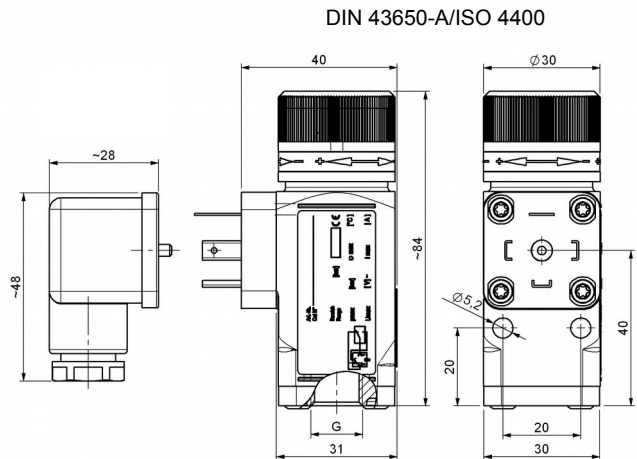
Switch	Mechanical switch
Process connection	Female thread G ¹ / ₄
Switching range	-0,85..+16 bar see table "Ranges"
Tolerance	±2 % at RT relative to the full scale value
Pressure resistance	PS 60 bar
Hysteresis	Switch point/13 + 0,07 [bar] (idealized) vacuum (-0,85..1 bar)
Media temperature	-10..+80 °C (Viton 0..100°C)
Ambient temperature	-10..+80 °C
Media	Water, oil, gases
Switching frequency	maximum 100 cycles/min.
Wiring	<p>Plug DIN 43650-A / ISO 4400 Change over No. 0.342</p> <p>Circular plug M12×1, 4-pole Change over No. 0.463</p>

Switching voltage	Plug DIN 43650-A / ISO 4400
switching current	Resistive load 3 A at 24 V DC, 6 A at 250V AC
(maximum values)	Inductive load 1 A at 24 V DC, 1 A at 250 V AC
	Circuit plug M12×1
	Resistive load 4 A at 48 V AC, 3 A at 24 V DC
	Inductive load 1 A at 48 V AC, 1 A at 24 V DC
Protection class	Plug DIN 43650-A / ISO 44001 1 - PE connection Circuit plug M12×1 2 - safety insulation
Ingress protection	IP 65
Electrical connection	Plug DIN 43650-A/ISO 4400 or Circular plug M12×1
Materials	Housing: Zinc die casting, Adjustment knob: aluminium (powder coated)
Material Sealing /membrane	NBR or EPDM or Viton
Weight	0,29 kg
Installation location	Any mounting position, hydraulic connection to bottom is not advisable.

Ranges

Switching range bar (rel.)	Type
-0,85..+ 1,00	PAK-001Z...
+0,20..+ 2,00	PAK-002Z...
+0,50..+ 8,00	PAK-008Z...
+1,00..+16,00	PAK-016Z...

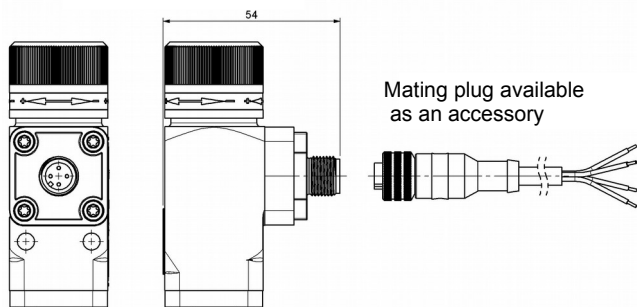
Dimensions



... professional Instruments "MADE IN GERMANY"

Product information

Circular plug M12x1



Handling and operation

Notes

- If the medium is dirty, install a filter.
- It must be ensured that the values given for voltage, current, and power are not exceeded.
- Check resistance to aggressive media, no DI water.

Torques and thread lengths of the fluid connection:
Thread length 11 mm, tightening torque 20 Nm -25

Adjustment

- Turning the adjusting knob to the left for a larger value, turning to the right for a smaller value. After setting the knob can be fixed with a hexagon socket screw by using the supplied key.

Ordering code

PAK - 1. 2. 3. 4. 5. 6.
PAK - Z 008G 0

1. Switching range	
001	-0.85..+ 1.00 bar
002	+0.20..+ 2.00 bar
008	+0.50..+ 8.00 bar
016	+1.00..+16.00 bar
2. Connection material	
Z	Zinc die casting
3. Connection size	
008G	Female thread G ¹ / ₄
4. Rotatable	
0	Fixed
5. Electrical connection	
B	Plug DIN 43650-A / ISO 4400
S	Circular plug M12x1, 4-pole
6. Sealing /membrane	
N	NBR
E	EPDM
V	Viton

Options

- Factory setting of the switch point on falling or rising pressure.