

Product Information

Flow Meter
UK-044



- Frontal scale imprint

Characteristics

A float moves in a transparent conical measurement tube, relative to the flow. The position of the float depends on the volume flow (weight force versus resistance to flow), and indicates the flow rate on the scaled measurement tube.

Technical data

Switch	without	
Nominal width	DN 8	
Process connection	male thread 1/4" NPT	
Metering range	0.07..141 l/min	for details see table "Ranges"
Q _{max.}	to 170 l/min	
Tolerance	±5 % of full scale value	
Pressure resistance	PN 6 bar	
Medium temperature	-20..+65 °C	
Ambient temperature	-20..+65 °C	
Media	water, gases	
Electrical data	none	
Materials medium-contact	acrylic, aluminium, PVC, NBR	
Non-medium-contact materials	acrylic, PVC, CW614N	
Weight	0.1 kg	
Installation location	vertical inwards flow from below	

Ranges

Medium water

The details in the table correspond to a vertical inwards flow from below.

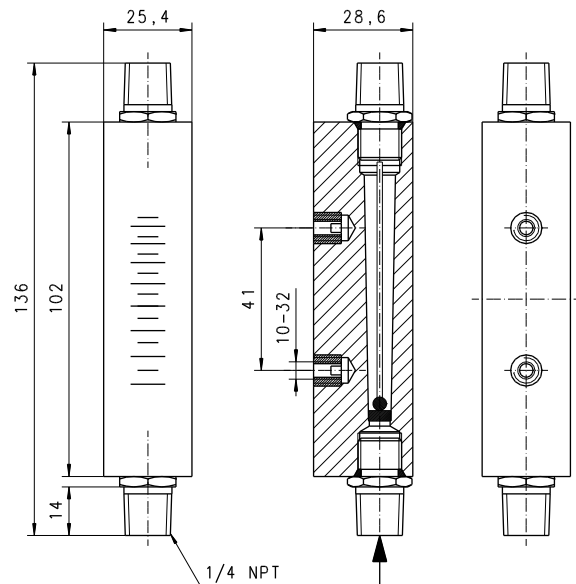
Metering range	Q _{max.} recommended	Type
4 - 50 l/h	65 l/h	UK-044AHW0050
15 - 100 l/h	120 l/h	UK-044AHW0100
30 - 230 l/h	260 l/h	UK-044AHW0230

Medium air

The details in the table correspond to a vertical inwards flow from below, with the medium at a temperature of 0 °C and a pre-pressure of 1.013 bar.

Metering range	Q _{max.} recommended	Type
200 - 1700 NI/h	2000 NI/h	UK-044AHL1700
500 - 3000 NI/h	3600 NI/h	UK-044AHL3000
1000 - 8500 NI/h	10000 NI/h	UK-044AHL8500

Dimensions



Product Information

Handling and operation

- Include straight calming section of 5 x DN in inlet and outlet
- If the media are dirty, install a filter

Ordering code

UK -

1.	2.	3.	4.
044	A	H	

1. Series	044	044, 1/4 " NPT
2. Process connection	A	male thread
3. Connection material	H	PVC
4. Display range H₂O for vertical inwards flow		
	W0050	4 - 50 l/h
	W0100	15 - 100 l/h
	W0230	30 - 230 l/h
Display range air (0 °C 1.013 bar abs.) for vertical inwards flow		
	L1700	200 - 1700 NI/min
	L3000	500 - 3000 NI/min
	L8500	1000 - 8500 NI/min

Options

- Metering ranges and special scales under defined operating pressures / temperatures

Ordering information

- Specify direction of flow, medium, and display range.
- For gases, state pressure (relative or absolute), temperature and medium (e.g. air) (request display range)