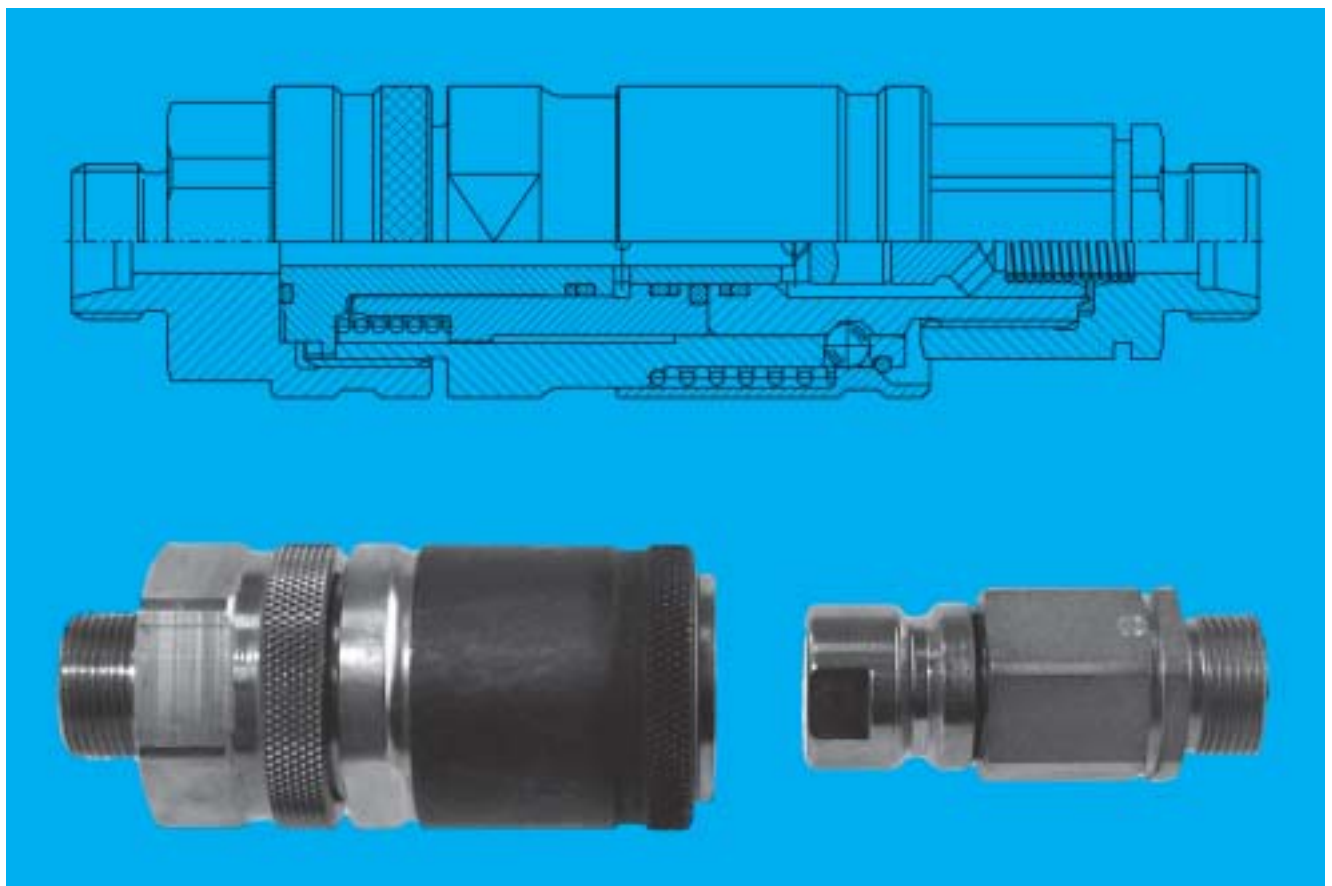


Nom. bore	Type	Max. static working pressure [bar/psi] steel	C _v value both sides self sealing	Page
6	HC-G06	650/9500	0.5	78
8	HC-G08	600/8700	1.0	78
12	HC-G12	600/8700	2.3	78
16	HC-G16	600/8700	3.4	78
20	HC-G20	600/8700	5.7	78
performance diagrams				79

- Features:**
- disconnection without loss of medium and connection without air inclusion
 - for self lubricating media
 - automatic lock (one hand operation)
 - squirt free operation also at residual pressures

When determining the working pressure of the coupling the max. permissible working pressure of the end connection is to be taken into account.



characteristic features:

- automatic lock (one hand operation)
- disconnection without loss of medium
- connection without air inclusion

materials:

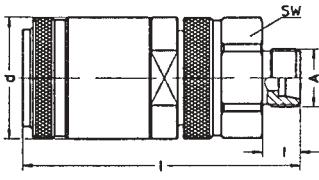
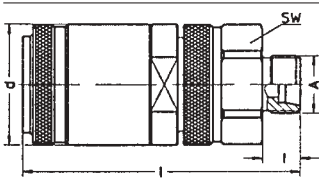
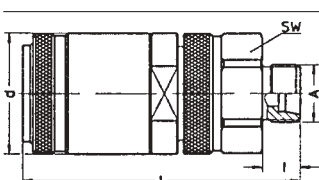
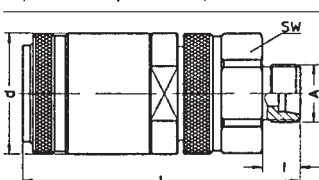
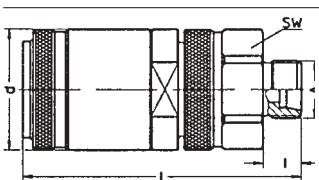
- standard:
- steel, zinc plated, yellow chromated
- locking sleeve, black phosphatized

seal qualities:

- special seals
- suitable for hydraulic fluids on mineral oil basis, HFA and HFB liquids

Please note the technical data on pages and the 2 - 7, 79 max. working pressures on page 77

Availability: ● Short ○ Medium ○ Long

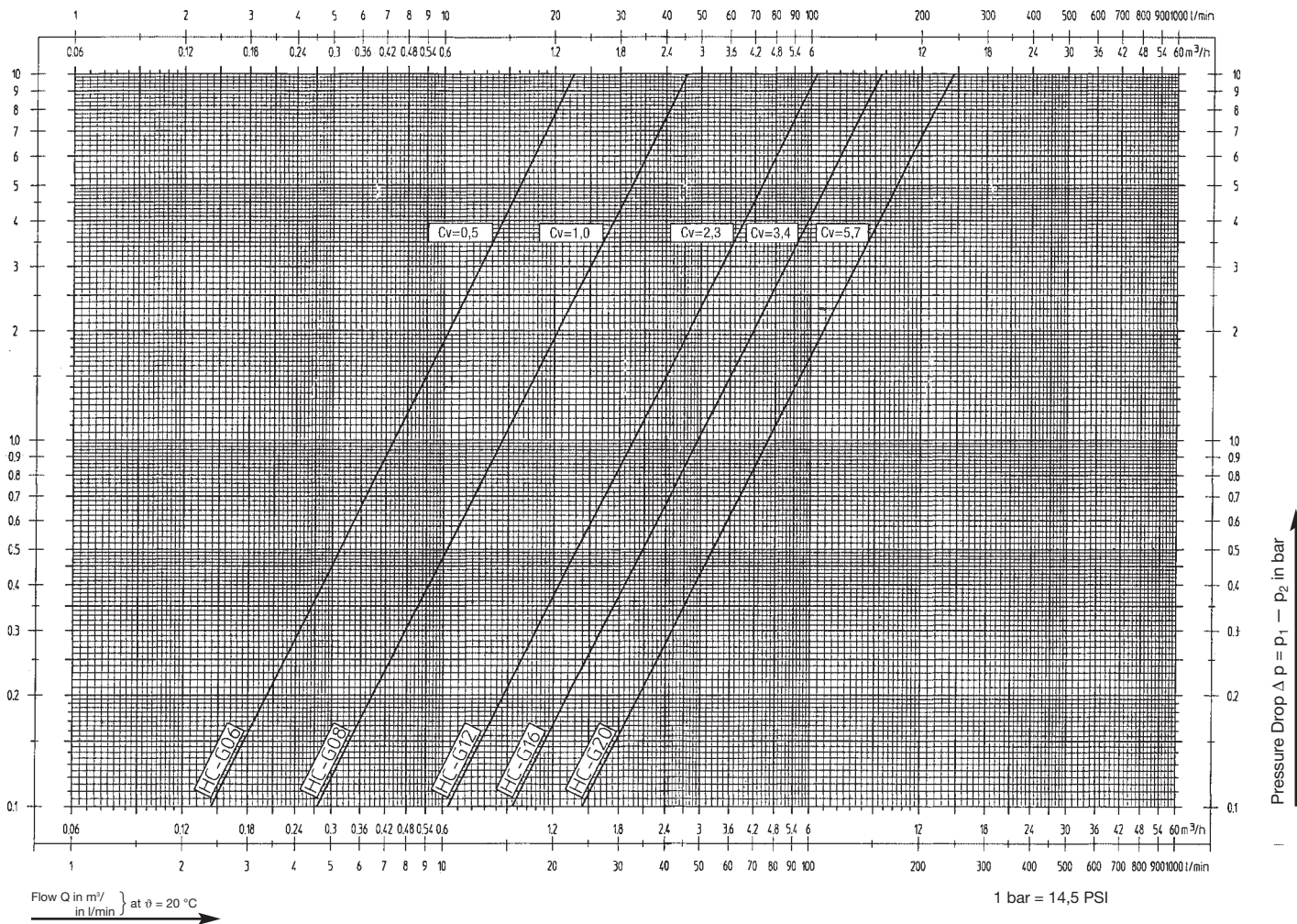
	Part No.	Connection A	steel zinc plated	series	pipe OD	d	SW	l	t	n	weight [g]
 <p>metric male thread with 24° sealing cone to DIN 2353 (heavy duty series S)</p>	HC-G06-0-S1018-AABA-Z10	M 18 x 1,5	●	S	10	34	27	98,8	12		455
	HC-G06-2-S1018-AABB-Z10	M 18 x 1,5	●	S	10	30,1	27	69	12	23,4	177
 <p>metric male thread with 24° sealing cone to DIN 2353 (heavy duty series S)</p>	HC-G08-0-S1220-AABA-Z10	M 20 x 1,5	●	S	12	42,4	32	104,8	12		660
	HC-G08-2-S1220-AABB-Z10	M 20 x 1,5	●	S	12	30,1	27	69,2	12	26,8	220
 <p>metric male thread with 24° sealing cone to DIN 2353 (heavy duty series S)</p>	HC-G12-0-S1624-AABB-Z10	M 24 x 1,5	●	S	16	47,2	41	102,6	14		818
	HC-G12-2-S1624-AABB-Z10	M 24 x 1,5	●	S	16	33,5	30	74,2	14	28,5	251
 <p>metric male thread with 24° sealing cone to DIN 2353 (heavy duty series S)</p>	HC-G16-0-S2030-AABA-Z10	M 30 x 2	●	S	20	57,8	50	112,4	16		1406
	HC-G16-2-S2030-AABB-Z10	M 30 x 2	●	S	20	45,6	41	80,4	16	31	487
 <p>metric male thread with 24° sealing cone to DIN 2353 (heavy duty series S)</p>	HC-G20-0-S2536-AABA-Z10	M 36 x 2	●	S	25	63,2	50	137,1	18		2005
	HC-G20-2-S2536-AABB-Z10	M 36 x 2	●	S	25	51,2	46	111,5	18	36	909

Measurement of flow coefficients C_v according to DIN EN 60534

A flow speed of 8 m/sec should not be exceeded

Both sides self sealing

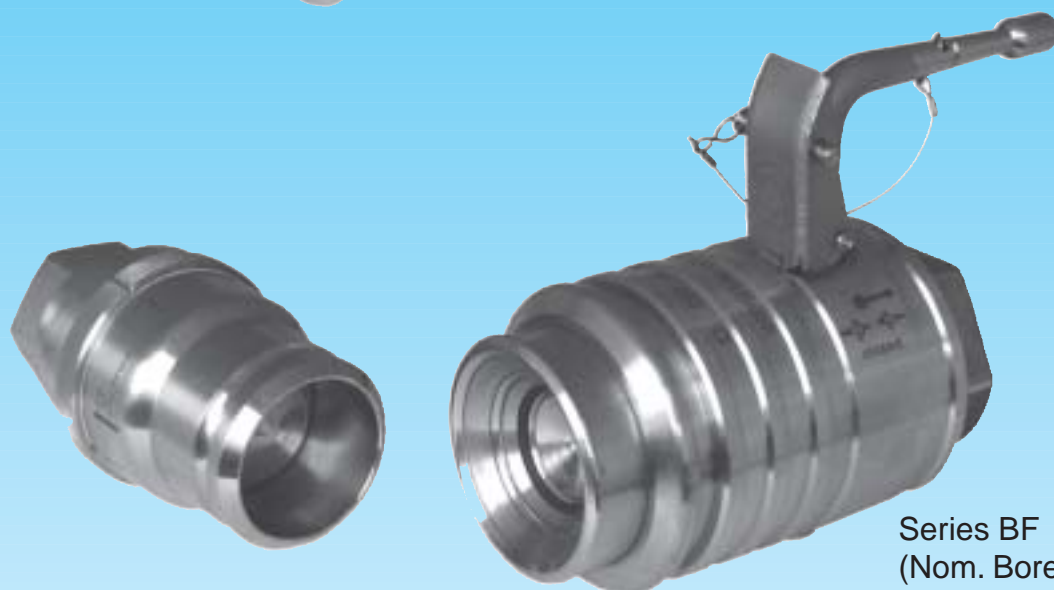
both axes are scaled logarithmically, one from 1 to 100, the other one from 1 to 1000,



Series HC
(Nom. Bore 6, 8, 12, 16, 20 mm)



Series BF
(Nom. Bore 5, 9, 12 mm)



Series BF
(Nom. Bore 25, 50 mm)