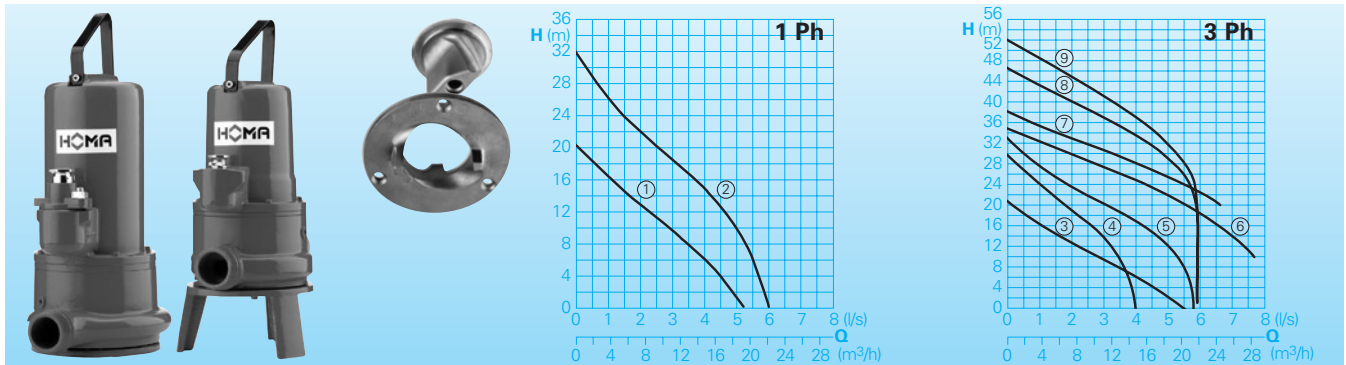


Electric submersible pumps with cutter system for sewage and effluent.

Barracuda GRP 16-50



Application

The installation of conventional sewer systems in areas of low population like small villages, farms or under difficult topographic conditions is often extremely expensive, mainly because of the high cost for large diameter pipework installation. HOMA provides the perfect, economical alternative with Barracuda grinder pump pressure sewage systems. The Barracuda pumps cut all solids present in the sewage into small particles. This allows the use of pipes from 1 1/2" diameter, which can be easily laid at low cost with a minimum of construction work.

DIN EN 12050-1: Conformity and design approved and controlled by LGA, certificate No. 0220119.

Installation: Transportable or permanent. Models with float switch control for automatic pump operation, depending on liquid level in the sump.

Pumped liquid: Waste water or sewage containing soft solids. Max. liquid temperature: 35°C, short term up to 60°C.

Operation: Permanent (S1).

Design

Fully submersible, compact integrated motor-pump consisting of:

Pump: Single stage centrifugal pump with horizontal discharge BSP 2" M.

Impeller/Cutter: Open multi-channel impeller. Cutter system at pump inlet consisting of stationary cutter ring and blade rotor.

Motor: Fully submersible, pressure-tight electric motor, single or three phase. Thermal sensors embedded in stator winding. Insulation class F, degree of protection IP 68.

Technical Data

Curve No.	Pump type	Motor input P ₁ (kW)	Motor output P ₂ (kW)	Operation-/Start Capacitor* (µF)	Speed (rpm)	Nominal current (A)	Weight (kg)
①	GRP 16 (B) W (A) (Ex)	1,5	1,1	30/60	2900	7,5	27
②	GRP 20 W (A) (Ex)	2,1	1,5	50/100	2900	9,5	33
③	GRP 26 W (A) (Ex)	2,5	1,8	50/100	2900	11,5	33
④	GRP 16 (B) D (A) (Ex)	1,3	0,9		2900	2,5	27
⑤	GRP 20 D (A) (Ex)	2,1	1,6		2900	3,5	33
⑥	GRP 26 D (A) (Ex)	2,5	1,9		2900	4,4	33
⑦	GRP 36 D (A) (Ex)	3,7	3,1		2900	6,4	44
⑧	GRP 36 HD (A) (Ex)	3,7	3,1		2900	6,4	44
⑨	GRP 44 D (Ex)	4,4	3,7		2840	7,5	56
⑩	GRP 50 D (Ex)	5,2	4,4		2840	8,7	56

*Capacitor: For the operation it is necessary to install a capacitor in the control box.

Model GRP 16 B: With base stand
Model A: With automatic level control
Model Ex: explosion proof
Model W: 230-240 V / 1 Ph
Model D: 400-415 V / 3 Ph

Motor start: GRP 16-36: direct-on-line
GRP 44-50: star-delta-start

Cable:

GRP16W: H07RN-F4G1,5

GRP16D: H07RN-F7G1,5

GRP20-36: H07RN-F7G1,5

GRP16-36Ex: H07RN-F PLUS 6G1,5

GRP44-50(Ex): H07RN-F(PLUS)10G1,5

Shaft/Bearing: Large diameter stainless steel rotor shaft, heavy duty pre-lubricated bearings.

Seals: GRP 16 with combination of mechanical seal (silicon-carbide/silicon-carbide) and lip seal in oil chamber. Models from GRP 20 with two mechanical seals (silicon-carbide/silicon-carbide) in oil chamber, oil inspection from outside. Seal condition monitoring probe on request.

Explosion protection: All Models available with explosion proof motors according to Ⓜ II 2G EEx d [ib] II BT4.

Materials:

Motor housing, pump housing, impeller	Cast iron GG25/EN-GJL-250
Cutter system	Stainless steel 1.4122
Rotor shaft, screws	Stainless steel
Mechanical seal	Silicon-carbide
O-rings	Perbonane

Equipment supplied

Model W (230-240 V / 1 Ph): 10 m of cable. Control box W19 (GRP16W); WT19 (GRP26-36W) available as accessories.

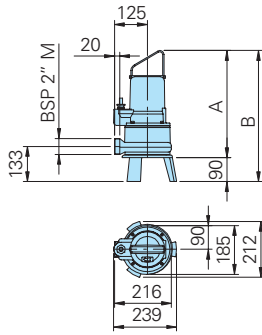
Model D (400-415 V / 3 Ph): 10 m of cable. Control box DT32 available as accessories.

Model A: With additional automatic level control, with AS float switch, control box WA10/19; DA10/32; DA10/12 with overload protection, manual-auto-switch, and 10 m of cable. Model W with integrated capacitor.

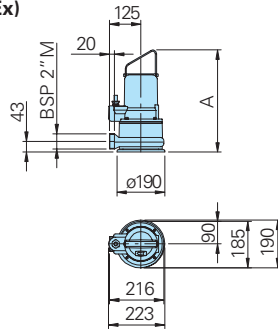
Model Ex with intrinsically safe relay.
Model GRP 16 B: With mounted base stand.

Dimensions and Installations

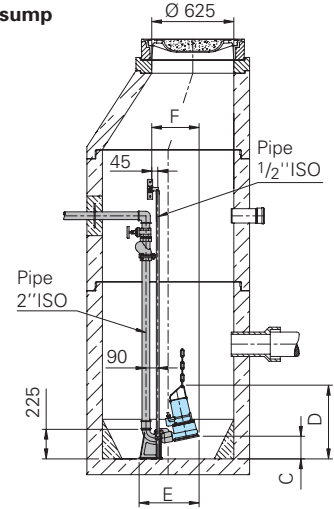
GRP 16 B (Ex)



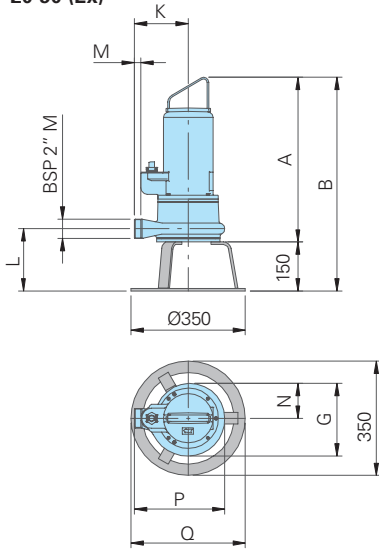
GRP 16 (Ex)



Permanent sump installation

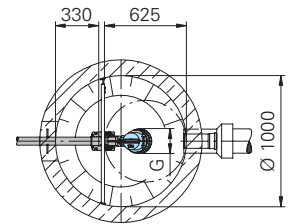
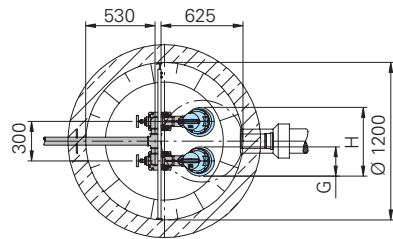


GRP 20-50 (Ex)



Permanent sump installation with auto-coupling system.

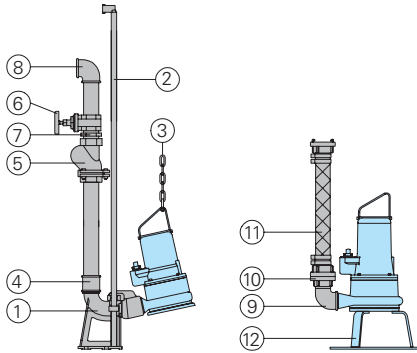
Permanent installation utilising a submerged auto-coupling guide rail system for automatic connection and disconnection of the pump from the pipework from outside the sump. Applicable for single and multi pump stations. Advantages: Little space requirement, easy pump service and maintenance.



all dimensions in mm

Dim. for Pump type	A	B	C	D	E	F	G	H	K	L	M	N	P	Q
GRP 16 (B)(Ex)	406	496	172	560	457	360	190	490						
GRP 20 (Ex), 26 (Ex)	468	618	183	630	504	407	223	523	165	191	20	107	277	350
GRP 36 (HD) (Ex)	505	655	183	672	504	407	223	523	165	191	20	107	277	350
GRP 44 (Ex), 50 (Ex)	545	695	187	706	527	429	250	550	180	193	25	119	304	355

Accessories



Part Description	Dimension	Part No.
① Auto-coupling system 8604008		
Type KK50S/R 2", with:		
- Cast iron auto-coupling with thread	BSP2" M	
- Cast iron flanged pump coupling	BSP2" F	
- Cast iron upper slide rail bracket	BSP1 1/2"	

Part Description	Dimension	Part No.
② Guide rails, pair, per m		
steel galvanized	1/2" dia.	2190085
stainless steel	1/2" dia.	2190250
③ Lifting chain, per m		
steel galvanized	5 mm dia.	2800350
stainless steel	5 mm dia.	2800353
Shackle		
steel galvanized for chain 5 mm dia.		2801450
stainless steel for chain 5 mm dia.		2801390
④ Galvanized socket	BSP 2" F	2109102
	BSP 2" F x BSP 1 1/2" F	2109210
⑤ Cast iron swing check valve	BSP 1 1/2" F	2212902
	BSP 2" F	2212903
⑥ Bronze gate valve	BSP 1 1/2" F	2216015
	BSP 2" F	2216020
⑦ Galvanized double nipple	BSP 1 1/2" M	2009020
	BSP 2" M	2009018
⑧ 90° galvanized elbow	BSP 1 1/2" F	2113605
	BSP 2" F	2213606
T-piece for twin pump arrangement	BSP 1 1/2" F	2114302
	BSP 2" F	2114306

Part Description	Dimension	Part No.
⑨ 90° galvanized elbow	BSP 1 1/2" F/M	2111505
	BSP 2" F	
	x BSP 1 1/2" F	2112605
	BSP 2" F/M	2111506
⑩ STORZ-fixed coupling	C-BSP1 1/2" M	2010003
	C-BSP2" F	2010204
⑪ Reinforced hose, per m (inner dia.)	38 mm dia.	2632038
	50 mm dia.	2632050
STORZ-hose coupling with spigot	C-38 dia.	2013002
	C-52 dia.	2013003
Brass STA-hose coupling	BSP 1 1/2" M	2001513
Hose band	1 1/2"	2304854
	2"	2306009
Synthetic pressure hose with rubber lining and couplings,	length 10 m	2611310
	length 15 m	2611315
	length 20 m	2611320
	length 30 m	2611330
⑫ Ring base stand for	GRP 20, GRP 26	
	and GRP 36	7321445
	GRP 44,	
	GRP 50	7324535

○ Control panel for single or twin pump stations for automatic operation on request



HOMA Pumpenfabrik GmbH
P.O.Box 22 63, D-53814 Neunk.-Seelscheid
Tel. +49 (0) 22 47/702-0, Fax +49 (0) 22 47/702-44
e-mail: info@homa-pumpen.de
www.homapumps.com