

Jacket cooled submersible drainage pump for clear and waste water, for permanent operation.

C 135 W

Application

The C 135 W pump is suitable for water circulation in garden ponds and cascades, irrigation, water transfer and drainage in clear or waste water.

The water jacket cooled motor with the top discharge protects the motor against overheating even during sip operation.

Installation: Permanent or transportable.

Pumped liquid: Clear or waste water containing soft solids with a diameter of max. 8 mm.

Max. liquid temperature: 35°C, short term up to 60°C.

Operation: Permanent.

Design

Fully submersible pump consisting of:

Pump: Single stage submersible pump with vertical discharge BSP 1" M.

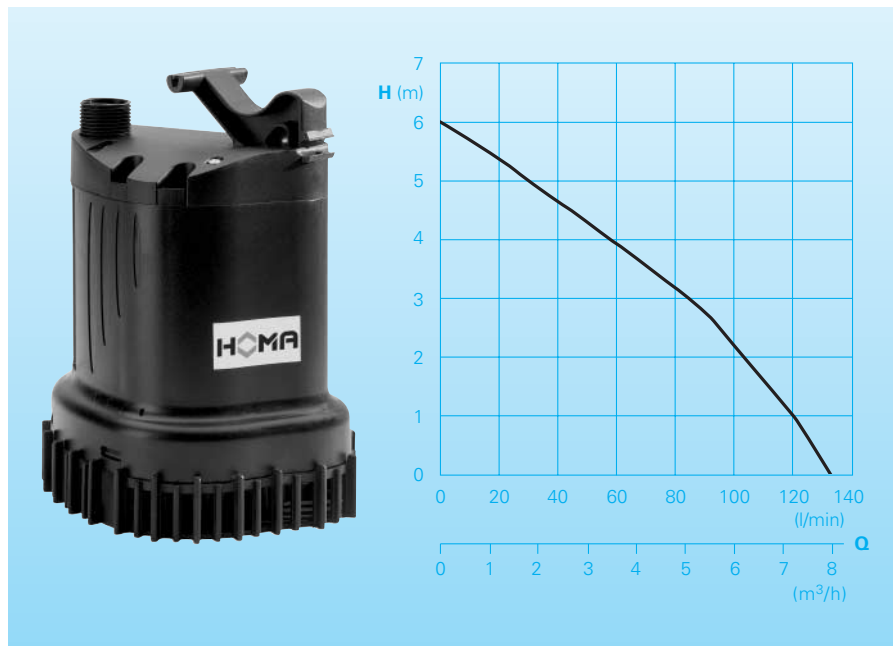
Impeller: Vortex impeller, spherical clearance 8 mm, self-cleaning in case of blocked impeller by short-term reverse running of the motor.

Motor: Canned wet-rotor, seal-less, rotor shaft lubricated by pumped liquid. Insulation class B.

Motor protection IP 68.

Shaft/bearing: Stainless steel-ceramic shaft, slide bearing.

Cable: H05RN-F3G0,75



Technical Data

| Pump type | Motor-input P ₁ (kW) | Motor-output P ₂ (kW) | Voltage 50 Hz (V) | Nominal current (A) | Cable length (m) | Weight (kg) |
|-----------|---------------------------------|----------------------------------|-------------------|---------------------|------------------|-------------|
| C 135 W | 0,14 | 0,1 | 230-240/1Ph | 0,9 | 10 | 3,5 |

Speed: 2900 rpm

Discharge: BSP 1" M

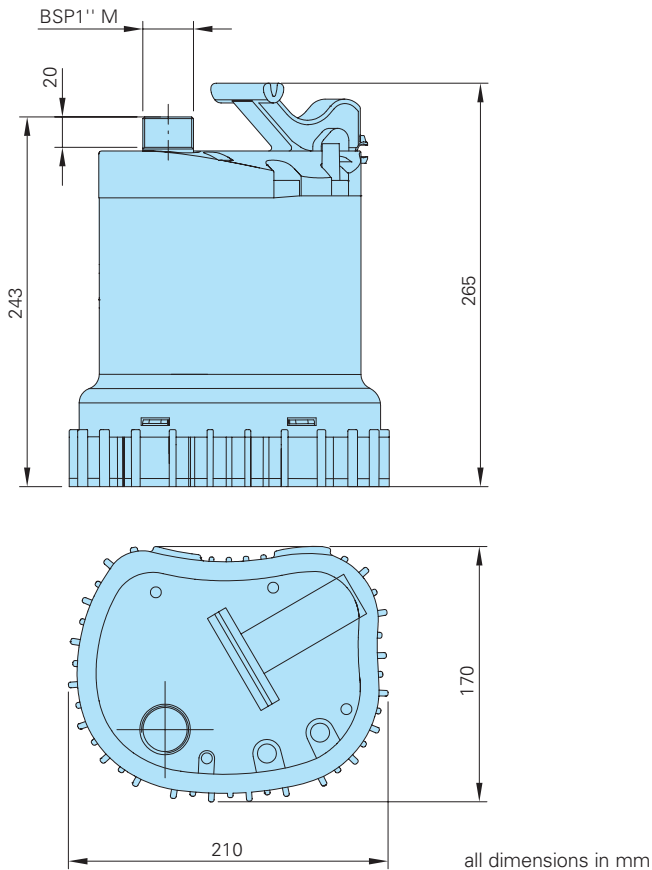
Materials:

| | |
|-----------------------------|---|
| Motor housing | Stainless steel |
| Motor shaft, screws | Stainless steel |
| Suction sieve, Pump housing | Wear resistant synthetic material (composite) |
| Impeller | Glass-fibre reinforced synthetic material (composite) |
| Elastomere | NBR |

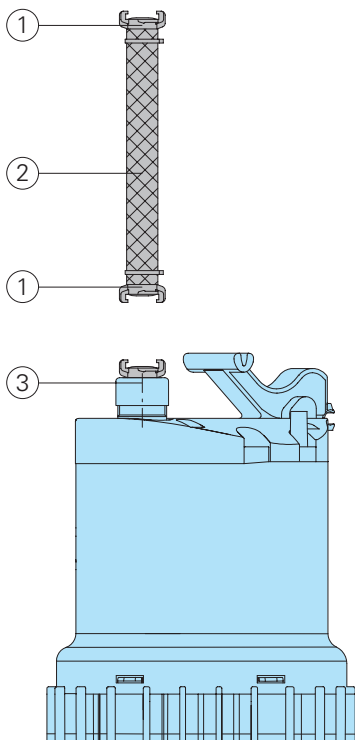
Equipment supplied

Pump with 10 m of cable and plug.

Dimensions



Accessories



| Part Description | Dimension | Part.-No. | Part Description | Dimension | Part.-No. |
|------------------------------|----------------------------|-----------|--|---------------|-----------|
| ① Brass hose coupling | 1" | 2003313 | ○ HOMA Nivomatik float switch control, conversion unit | | |
| ② PVC hose, per m | 1" Ø | 2621000 | - for 230-240 V / 1 Ph | | |
| Reinforced hose, per m | 1" Ø | 2632025 | AZW 10/5 | 5 m of cable | 1435055 |
| Hose band | 3/4"-1" | 2302330 | AZW 10/10 | 10 m of cable | 1435105 |
| ③ Brass fixed coupling | BSP 1" F | 2005323 | | | 1561160 |
| ○ Composite non return valve | BSP 1" F x BSP 1 1/4" F | 8167017 | ○ HOMA 2 poles earth Leakage circuit breaker Fi 16/0,03 A | | 1586140 |
| | | | ○ Alarm device AL 3 Mains operated with connector for battery 9V (see below) for mains independent operation with integrated buzzer. Mains connection 230-240 V / 1 Ph | | |
| | | | Battery for mains-independent operation | 9V | 1952215 |
| | | | Float switch MB, mercury free, on or off, with integrated counter weight. | | |
| | | | Cable length | 6 m | 1465706 |
| | | | | 10 m | 1465710 |

HOMA
P U M P T E C H N O L O G Y

HOMA Pumpenfabrik GmbH
P.O. Box 22 63, D-53814 Neunk.-Seelscheid
Tel. +49(0)22 47/702-0, Fax +49(0)22 47/702-44
e-mail: info@homa-pumpen.de
www.homapumps.com