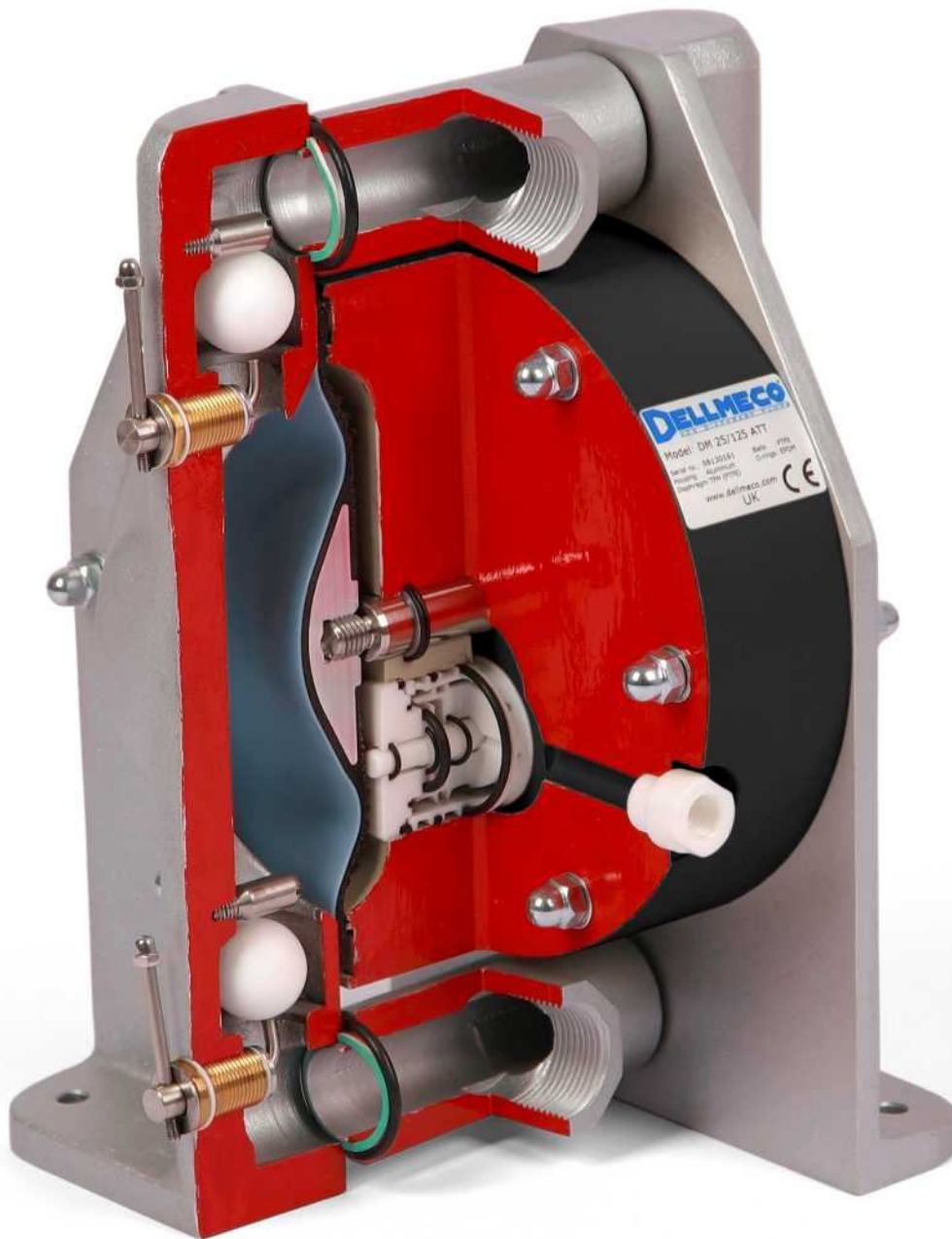


METAL PUMPS



1. Designed to succeed

- temperatures up to 120 °C
- pressure up to 14 bar
- lubrication-free operation
- low air consumption

2. Flexible installations

- BSP as standard,
- PN10, PN16, ANSI, NPT, split manifold configurations available
- connections may rotate 180°

3. Solid and strong

- gentle pumping action
- viscous product transfer
- the valve seat made of AISI 316 is integrated with pump housing

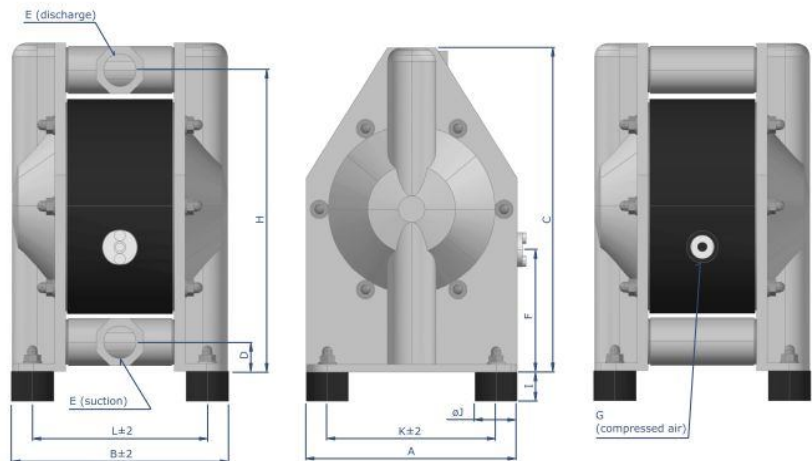
4. Perfect diaphragm

- completely smooth liquid side surface (no hole)
- no metal in contact with the liquid



ALUMINIUM, ALUMINIUM WITH PTFE, CAST IRON

DIMENSIONAL DRAWING



DIMENSIONS	A	B	C	D	E	F	G	H	I	ØJ	K	L
DM 15/25	104	122	166	17	G 1/2"	85	R 1/8"	153	10	15	84	98
DM 20/75	150	171	230	21	G 3/4"	84	R 1/4"	212	18	30	116	133
DM 25/125	200	202	305	27	G 1"	115	R 1/4"	280	28	40	160	164
DM 40/315	273	267	417	34	G 1 1/2"	110	R 1/2"	382	28	40	220	213
DM 50/565	352	345	546	48	G 2"	165	R 1/2"	501	30	60	282	281
DM 80/850	485	530	833	72	G 3"	364	R 3/4"	760	40	75	410	449

TECHNICAL DATA

	15/25	20/75	25/125	40/315	50/565	80/850 **
Max capacity (l/min)	25	75	125	315	565	850
Max pressure (bar)	8					
Nominal port size	1/2"	3/4"	1"	1 1/2"	2"	3"
Air connection	R 1/8"	R 1/4"	R 1/4"	R 1/2"	R 1/2"	R 3/4"
Suction lift dry (mWC)	2.0	3.0	4.0	4.0	5.0	5.0
Suction lift wet (mWC)	9.0					8.0
Max diameter solids (mm)	3	4	7	10	12	15
Temperature limits - NBR, EPDM (°C)	80					
Temperature limits - PTFE (°C)	120					110
Weight - Alu (kg)	1.9	4.9	8	18	33	97
Material of pump housing	Aluminium, Aluminium Coated with PTFE, Cast Iron					Aluminium
Diaphragm options	NBR, EPDM or TFM/PTFE					
Valve balls	NBR, EPDM, PTFE, AISI 316, PU					NBR, EPDM, PTFE
O-rings	NBR, EPDM, or FEP/FPM					

** - Aluminium version only

