

Lumiglas VISULEX Camera Stainless Steel Housing Type K15

Data sheet 06.71.01

- **Camera with fixed lens, Type K15:**

The lens of this basic standard camera is focused during the installation process on the object to be monitored (external facilities/outdoor areas or technical process elements such as e. g. boilers or agitators).

- **Design and application**

- Stainless steel housing with built-in colour CCD camera, 1/4" CCD sensor, 2 lux photosensitivity; including 2-wire transmitter, electronics, stainless steel hinge as mounting bracket
- Type of protection IP 65
- Operating conditions: Ambient temperature +5° C to +40° C

- **Lens and angle of view:**

2.5...8.0 mm, 71.5°...25.4°
Minimum lens-to-object distance: 80 mm
(see order info on reverse)

- **Electrical connection:**

- Link-up is established via transmission cable to the **control unit** (camera rack and camera module, to be ordered separately). A module is inserted into the camera rack for each camera. In addition to single racks, we also offer racks that take modules for up to 6 cameras.
- Voltage: 24 V DC (supplied by the control unit)
- Power input: up to 20 W
- 2-wire transmission

- **Transmission cable:**

- 6-core cable (3 twisted pairs)
- Length: up to approx. 500 m (between camera and control unit)
- Control lead 3 Px AWG 20C

- **Weight:** 0.8 kg excluding cable

- **Installation:**

- The camera is mounted on the cover flange of a round sight glass fitting (DIN 28120 or similar) using the stainless steel bracket included in the scope of supply (hinge in grade 1.4301). The installation method is the same as that implemented for internationally approved Lumiglas luminaires.
- If there is insufficient natural light in the vessel, a supplementary appropriately dimensioned Lumiglas luminaire can be installed.
- A separate arrangement of lighting glass and camera glass is a further option to be considered. This depends on the engineering process and the size of the reactor as well as on the surface of the vessel, the medium in question, and the angle of incidence.
- Consistently uniform illumination is essential.



Lumiglas VISULEX Kamera with fixed lens Typ K15



K15, mounted on a flange



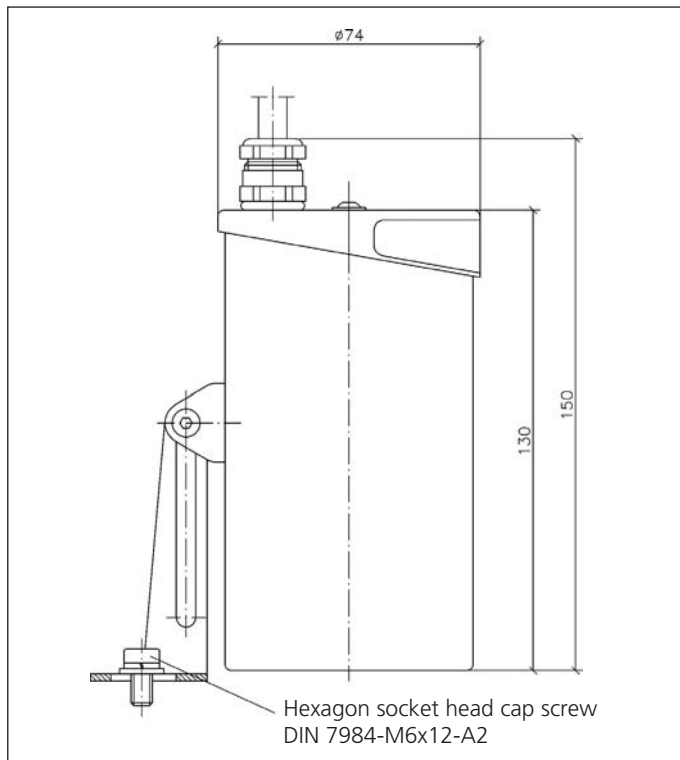
Single camera rack



6-camera rack

• **Dimensions and technical data for Lumiglas VISULEX camera K15:**

Camera	PAL	NTSC
Camera standard	CCIR (Europe)	EIA (USA)
Image sensor	1/4"-CCD	1/4"-CCD
Pixels	approx. 440.000	approx. 380.000
Light sensitivity	2 lux	2 lux
Resolution	460 lines (horizontal)	470 lines (horizontal)
Electronic shutter speeds	automatic, 1/1-1/10.000	automatic, 1/1-1/10.000
S/N ratio	>50 dB	>50 dB
Aperture control	automatic or manual	automatic or manual
Colour system	PAL	NTSC
Control unit (rack and module)	single-camera rack	6-camera rack
Power input	max. 15 W	Base load 5 W; the consumption increases by 15 W per module (max. 95 W)
Fuse protection (due to starting current)	1,6 A	6,3 A
Dimensions mm (H x W x D)	160 x 180 x 300	160 x 470 x 300



• **Order info:**

- e. g. Lumiglas VISULEX camera K15,
 - Lens 2.5 mm (see Table)
 - PAL (please specify whether PAL or NTSC)
 - 370 m transmission cable (please state cable length in full metres)
 - 6-camera rack, Part No. 1590.015.00 (see Table)
 - Camera module, Part No. 1123.009.00 (see Table)
- If supplementary cameras are to be added at a later date, we recommend the 6-module rack.

Item	Article	Part No.
1	2,5 mm	71,5°
2	2,9 mm	63,0°
3	3,8 mm	51,0°
4	6,0 mm	33,4°
5	8,0 mm	25,4°

Item	Article	Part No.
1	Single-camera rack	1590.032.00
2	6-camera rack	1590.015.00
3	Camera module	1123.009.00

Subject to change without prior notice – Dimensions in mm (unless stated otherwise)
ric 04.08 3755.428