

Product Information

NBS-010HM

Level Indicator NBS



- Mounted in the cover
- Direct display

Characteristics

Mechanical level indicator for water: The level is displayed in a sight glass by means of a sight ring.

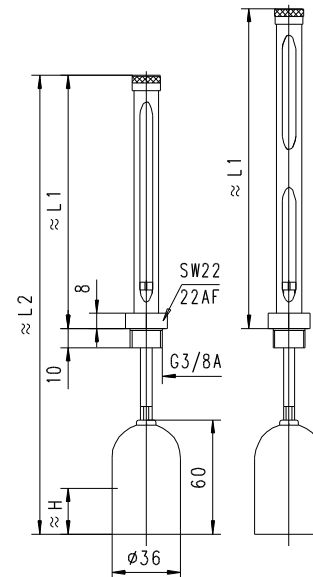
Technical data

Switch	without
Process connection	male thread G 3/8 A, optional G 1/2 A
Density of medium	see table "Dimensions, density, and weights"
Pressure resistance	-
Medium temperature	-20..+50 °C
Ambient temperature	-20..+50 °C
Media	water, oils
Electrical data	none
Materials medium-contact	CW614N, natural glass, acrylic, NBR
Non-medium-contact materials	CW614N, natural glass, PVC, NBR
Weight	see table "Dimensions, density, and weights"
Installation location	vertical installation position

Dimensions, density, and weights

Types	L1	L2	H	Density Medium g/cm³	Number of sight glasses	Weight kg
NBS-010HM040	40	185	21	≥ 0.60	1	0.10
NBS-010HM060	60	205	22			
NBS-010HM080	80	225	23	≥ 0.65		0.11
NBS-010HM100	100	245	24			
NBS-010HM125	125	270	25			
NBS-010HM150	150	295	25	≥ 0.70	0.12	
NBS-010HM200	200	345	27			
NBS-010HM250	250	395	29	≥ 0.75	2	0.13
NBS-010HM300	300	445	30			
				≥ 0.80		0.14
						0.16
						0.18
						0.20

Length 40..200 Length 250..300



Vent drilling in cover.
Details of float location H for density 1 g/cm³.

Ordering code

NBS - 1. 2. 3. 4.
 H M

○=Option

1. Connection size	
010	threaded connection G 3/8 A
015	○ threaded connection G 1/2 A
2. Process connection	
H	screw-in thread
3. Connection material	
M	brass
4. Length	
040	40 mm
060	60 mm
080	80 mm
100	100 mm
125	125 mm
150	150 mm
200	200 mm
250	250 mm
300	300 mm