

## Angle Seat Globe Valve, Plastic/Metal

### Construction

GEMÜ S560 *SilverLine*® is a plastic or metal angle seat globe valve with a pneumatic piston actuator and integrated optical position indicator which is used to control clean liquid and gaseous media in production and automated processes.

### Features

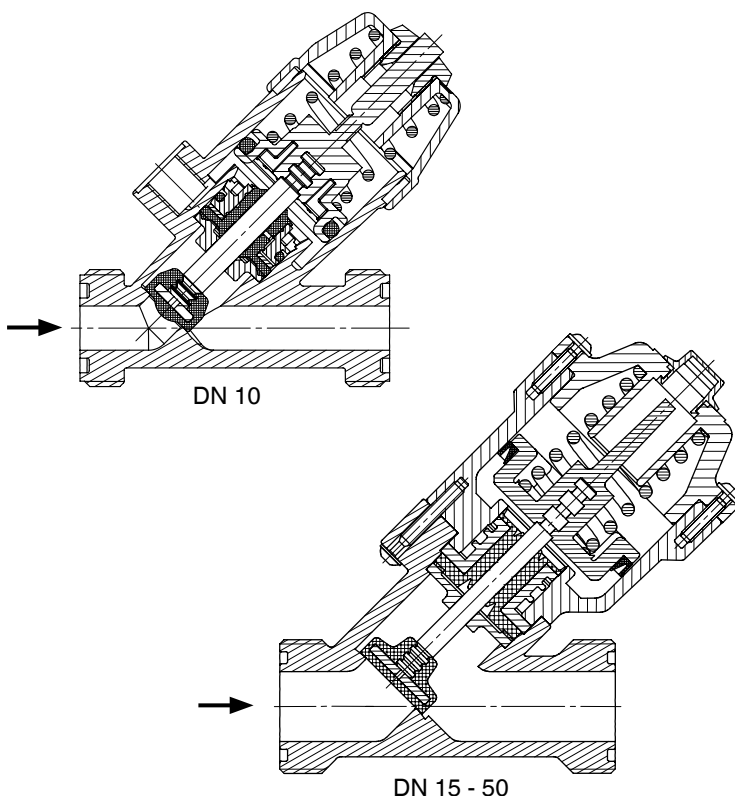
- Compact design with few components
- Low weight
- Corrosion resistant materials
- Valve body available in various materials and designs
- Various connections available

### Advantages

- Excellent price-performance ratio
- Optional mounting position
- High flow rates
- Fast switching times due to low actuator volume



Sectional drawing



## Technical data

### Working medium

Corrosive, inert, gaseous and liquid media which have no negative impact on the physical and chemical properties of the body and seal material.

Media temperature max. 60° C  
Maximum permissible temperature of working medium see data sheet "Technical Information on Plastic Materials".

### Control medium

Inert gases

### Ambient conditions

Max. ambient temperature 40° C

### Flow direction

Under the valve seat (indicated by arrow on body)

### Mounting position

Optional

	Max. operating pressure	Control pressure	Kv value
DN	[bar]	[bar]	[m³/h]
10	8	4.5 - 6.0	1.7
15	8		4.1
20	8		15.8
25	8		15.8
32	8		40.0
40	8		40.0
50	6		40.0

Kv values determined acc. to IEC 534 standard, PP valve body with union ends and DIN insert.

### Pressure / temperature correlation

Temperature in °C (body)		5	10	20	25	30	40	50	60
Valve body material		Permissible operating pressure in bar							
PP (DN 10 - 40)	Code 5	10.0	10.0	10.0	10.0	10.0	7.0	5.5	4.0
PP (DN 50)		6.0	6.0	6.0	6.0	6.0	6.0	5.5	4.0
Brass	Code 12	10.0	10.0	10.0	10.0	10.0	10.0	10.0	8.0

Data for extended temperature ranges on request.

Please note that the ambient temperature and medium temperature generate a combined temperature at the valve body which must not exceed the above values.

Note: The valve is not suitable for vacuum applications.

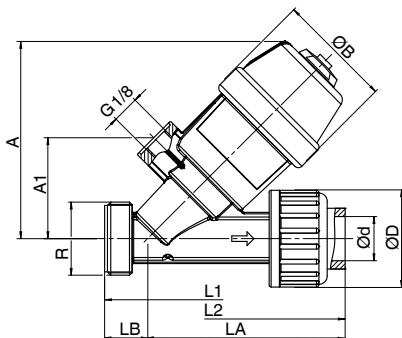
## Dimensions [mm]

### Valve body material: PP (code 5); connection code 7, 7X, 33, 78

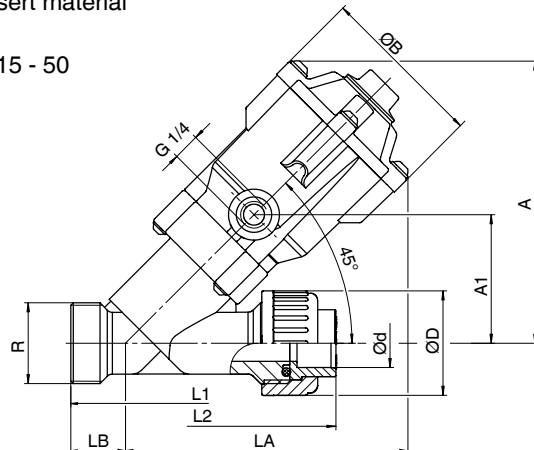
DN	7, 7X, 33									7X	7			33
	A	A1	øB	ød	øD	LA	LB	R	L1	L2				
	PP**	PVC-U**	PVC-U**											
10	71.5	36.5	42	16	35	70.5	15.5	G 3/4	70	106	104	114		
15	116.0	53.0	69	20	43	116.5	22.5	G 1	90	125	128	128		
20	133.0	55.0	87	25	60	133.5	31.5	G 1 1/2	120*	158	164	164		
25	133.0	55.0	87	32	60	133.5	31.5	G 1 1/2	120	162	170	170		
32	207.5	84.5	118	40	83	207.5	33.5	G 2 1/4	150*	198	218	218		
40	207.5	84.5	118	50	83	207.5	33.5	G 2 1/4	150	203	218	218		
50	211.5	90.0	136	63	103	211.5	43.0	G 2 3/4	174	235	256	256		

\* Only available with union ends incorporating a reducing socket \*\* Insert material

DN 10



DN 15 - 50

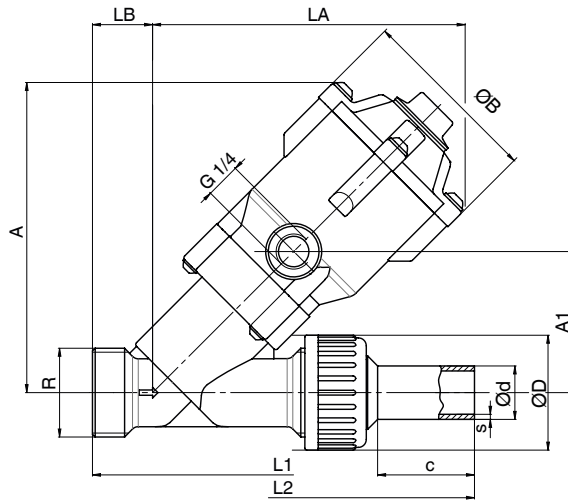


## Dimensions [mm]

### Valve body material: PP (code 5); connection code 7X, 78

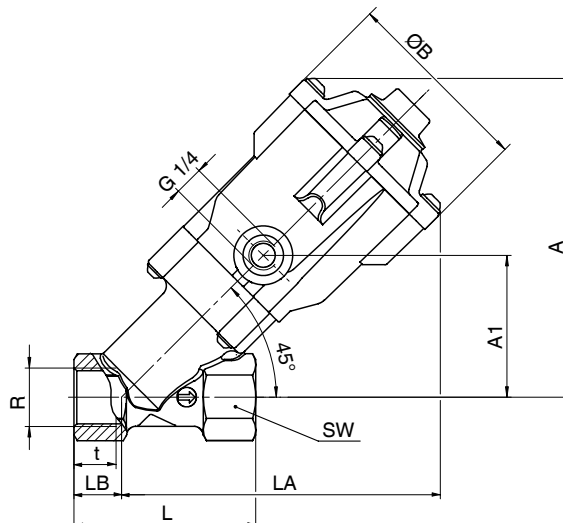
DN	A	A1	øB	ød	øD	R	L	L1	LA	LB	c	s
15	116.0	53.0	69	20	43	G 1	196	90	116.5	22.5	36	1.9
20	133.0	55.0	87	25	60	G 1 1/2	232	120*	133.5	31.5	37	2.3
25	133.0	55.0	87	32	60	G 1 1/2	238	120	133.5	31.5	39	3.0
32	207.5	84.5	118	40	83	G 2 1/4	274	150*	207.5	33.5	40	3.7
40	207.5	84.5	118	50	83	G 2 1/4	280	150	207.5	33.5	42	4.6
50	211.5	90.0	136	63	103	G 2 3/4	310	174	211.5	43.0	44	5.8

\* Only available with union ends incorporating a reducing socket \*\* Insert material



### Valve body material: Brass (code 12); connection code 1

DN	A	A1	øB	L	LA	LB	t	R	SW
15	114.0	51	69	65	114.0	17	15.0	G 1/2	27
20	125.0	55	73	75	125.0	18	16.3	G 3/4	32
25	133.0	55	87	90	133.0	24	19.1	G 1	41
32	157.0	62	99	110	157.0	32	21.4	G 1 1/4	50
40	211.0	89	118	120	211.0	30	23.8	G 1 1/2	55
50	211.5	90	136	150	211.5	40	25.7	G 2	70



## Order data

Body configuration	Code
2/2-way body	D

Seat seal	Code
NBR	2

Connection	Code
Threaded sockets DIN ISO 228 (brass)	1
Union ends with DIN insert (socket)	7
Union ends with inch insert (socket)	33 <sup>1</sup>
Union ends with DIN insert (for IR butt welding)	78 <sup>2</sup>
Body with threaded spigots for unions (without union nut, insert and O-ring)	7X
only for union insert material: <sup>1</sup> PVC-U, <sup>2</sup> PP	

Control function	Code
Normally closed	1

Union insert material	Code
PVC-U, grey	1
PP	5
Without insert	X

Valve body material	Code
PP-R-GR, (reinforced polypropylene)	5
CW617N, brass (only connection code 1)	12

Order example	S560	15	D	7X	5	2	1	X*
Type	S560							
Nominal size		15						
Body configuration (code)			D					
Connection (code)				7X				
Valve body material (code)					5			
Seat seal (code)						2		
Control function (code)							1	
Union insert material (code)								X

\* not applicable for brass

### Overview of valve bodies for GEMÜ S560

Connection code	1	7	7X	33	78
Material code	Brass (code 12)	PP (code 5)			
DN 10	-	X	X	X	-
DN 15	X	X	X	X	X
DN 20	X	X*	-	X	X
DN 25	X	X	X	X	X
DN 32	X	X*	-	X	X
DN 40	X	X	X	X	X
DN 50	X	X	X	X	X

\* with union ends incorporating a reducing socket

For further valves, accessories and other products, please see our Product Range catalogue and Price List.  
Contact GEMÜ.

**GEMÜ**® VALVES, MEASUREMENT  
AND CONTROL SYSTEMS

