

**Construction**

The GEMÜ 8258 2/2-way servo assisted solenoid valve has a brass or stainless steel valve body. The detachable solenoid coil is encapsulated in glass reinforced epoxy resin. All medium wetted parts are made of stainless steel, NBR, PVDF or brass.

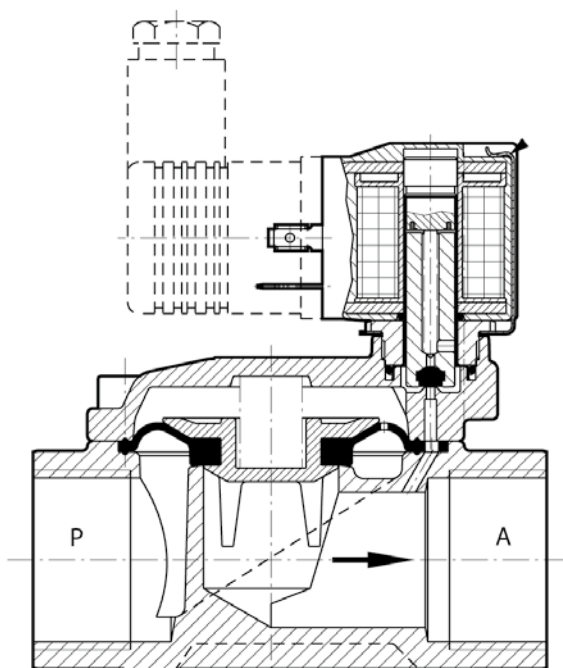
The electrical connection is made via a plug to DIN EN 175301-803 form A. The coil has isolation class F as standard. The valve is suitable for inert media such as air, water and oil.

**Advantages**

- Low power consumption
- Excellent flow capability
- Soft closing action
- Low minimum pressure differential
- Simple compact design
- Simple coil replacement without tools (**Click-on®**)
- Optional manual override
- Explosion protected solenoids acc. to ATEX available as an option
- Type examination up to DN 25 to DIN EN 60730-2-8
- Optional mounting bracket available (not pre-assembled)
- NPT thread available



Sectional drawing GEMÜ 8258



P = Inlet, A = Outlet

## Technical data

### Working medium

Inert gaseous or liquid media which have no negative impact on the physical and chemical properties of the body and seal material.

### Max. perm. viscosity of working medium

25 mm<sup>2</sup>/s (cSt)

**Note:** When used with contaminated media we recommend installing a strainer in front of the valve (on request)

### Perm. temperature of working medium

-10° to +90° C

Higher temperatures on request

### Ambient temperature

-10° to +50° C

### Mounting position

Optional, preferably coil vertically upwards

### Power consumption

#### AC operation:

Pull in		
DN 8 - 50	Control function 1	15 VA
DN 8 - 25	Control function 2	15 VA
DN 32 - 50	Control function 2	45 VA
Hold in		
DN 8 - 50	Control function 1	12 VA
DN 8 - 25	Control function 2	12 VA
DN 32 - 50	Control function 2	35 VA

#### DC operation:

Pull in		
DN 8 - 50	Control function 1	8 W
DN 8 - 25	Control function 2	8 W
DN 32 - 50	Control function 2	18 W
Hold in		
DN 8 - 50	Control function 1	7 W
DN 8 - 25	Control function 2	7 W
DN 32 - 50	Control function 2	17 W

### Protection class

IP 65 (with connector plug)

### Permissible voltage tolerance

±10 % to VDE 0580

### Rating

Continuously rated

Nominal size [mm]	Connection Threaded sockets		Operating pressure [bar]		K <sub>v</sub> value [m <sup>3</sup> /h]	Weight [kg]
	DIN ISO 228 Code 1	NPT Code 31	Control function Normally closed Code 1	Control function Normally open Code 2		
8	G 1/4	1/4" NPT	0.1 / 0.3** - 16	0.1 / 0.3** - 16	1.9	0.47
10	G 3/8	3/8" NPT	0.1 - 16	0.1 - 16	3.0	0.45
15	G 1/2	1/2" NPT	0.1 - 16	0.1 - 16	3.8	0.50
20	G 3/4	3/4" NPT	0.1 - 16	0.1 - 16	6.1	0.65
25	G 1	1" NPT	0.1 - 16	0.1 - 16	9.5	0.95
32	G 1 1/4	1 1/4" NPT	0.1 - 10	0.1 - 16	23.0	2.73
40	G 1 1/2	1 1/2" NPT	0.1 - 10	0.1 - 16	25.0	2.53
50	G 2	2" NPT	0.1 - 10	0.1 - 16	41.0	3.85

\* The operating pressure applies to free discharge conditions. In closed systems  $\Delta p$  between the inlet and outlet must be at least 0.1 bar.  
DN 32-50: Higher operating pressures on request. \*\* Seal material EPDM

### Wiring note

Special wiring on request. When using electronic switches and additional wiring, carefully design out any potential residual currents upon installation.

### Order data for mounting bracket (incl. fixing screws)

Size	Part number	Order number
DN 8 - 15	8258 000 P 12	88293212
DN 20	8258 000 P 20	88293213
DN 25	8258 000 P 25	88293214
DN 32 - 40	8258 000 P 40	88293215
DN 50	8258 000 P 50	88293216

## Order data

Body configuration	Code
2/2-way	D

Connection	Code
Threaded sockets DIN ISO 228	1
Threaded sockets NPT	31

Valve body material	Code
CW617N, brass	12
Stainless steel (1.4408)	37

Seal material	Code
NBR (Perbunan N)	2
FPM	4
EPDM	14

Control function	Code
Normally closed	1
Normally open	2

Supply voltage	Code
24 V AC	24
110 V AC	120
230 V AC	230
24 V DC	24

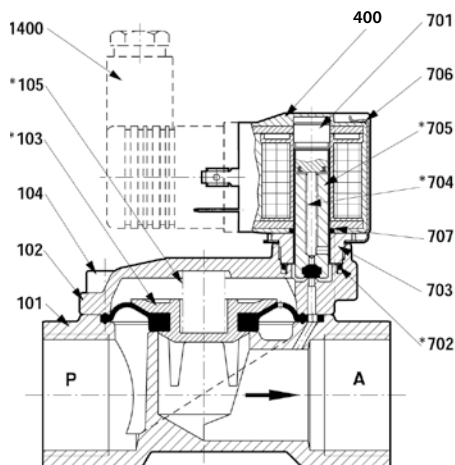
Mains frequency	Code
50 Hz	50
60 Hz	60
DC	DC

Optional version	K-Number
Normally closed, with manual override	6005
Coil protection class II 2 G EEx m II T4 ATEX marking $\text{Ex}$ II 2 D T130°C	6419
Other versions according to ATEX or US regulations on request	

Available voltages / Frequency		
<b>AC</b>	24 V AC	50 / 60 Hz
	110 V AC	50 / 60 Hz
	230 V AC	50 / 60 Hz
<b>DC</b>	24 V DC	-

Order example	8258	25	D	1	12	2	1	230	50	6005
Type	8258									
Nominal size		25								
Body configuration (code)			D							
Connection (code)				1						
Valve body material (code)					12					
Seal material (code)						2				
Control function (code)							1			
Supply voltage (code)								230		
Mains frequency (code)									50	
Optional version (K-No.)										6005

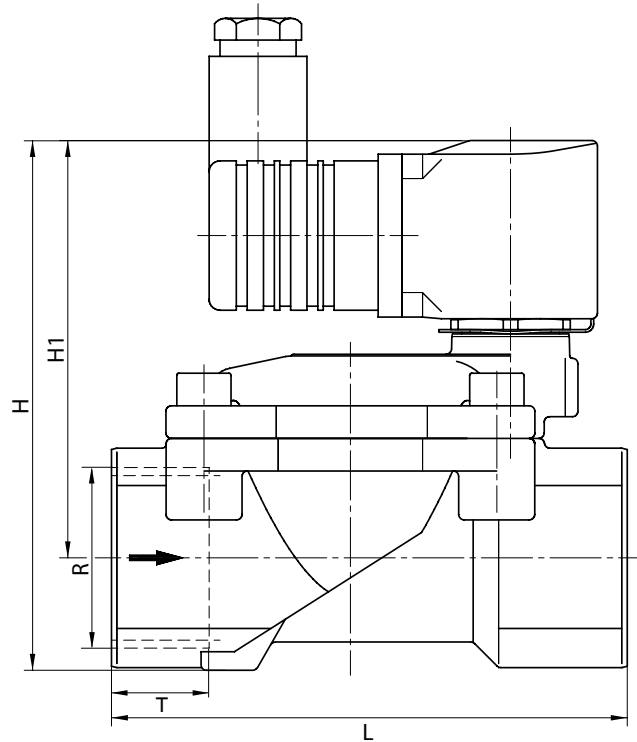
## Spare parts



- 101 Valve body
- 102 Valve body cover
- \*103 Diaphragm
- 104 Cylindrical screw
- \*105 Compression spring
- 400 Solenoid
- 701 Bush
- \*702 O-ring
- 703 Threaded insert
- \*704 Compression spring
- \*705 Armature
- 706 Spring clip
- 707 O-ring
- 1400 Connector plug

All parts marked with \* are included in the wearing parts kit.  
When ordering spare parts, please indicate complete valve order number.

## Dimensions - GEMÜ 8258



**Body dimensions GEMÜ 8258 [mm]**

DN	L	Control function 1 normally closed		Control function 2 normally open		Threaded sockets DIN ISO Connection code 1		Threaded sockets NPT Connection code 31	
		H	H1	H	H1	R	T	R	T
8	60	78.5	67.0	78.5	67.0	G 1/4	12	1/4" NPT	10.0
10	60	78.5	67.0	78.5	67.0	G 3/8	12	3/8" NPT	10.5
15	67	81.0	67.0	81.0	67.0	G 1/2	14	1/2" NPT	13.5
20	80	88.0	71.5	88.0	71.5	G 3/4	16	3/4" NPT	14.0
25	95	97.5	77.0	97.5	77.0	G 1	18	1" NPT	17.0
32	132	124.5	95.5	142	113.0	G 1 1/4	20	1 1/4" NPT	17.0
40	132	124.5	95.5	142	113.0	G 1 1/2	22	1 1/2" NPT	17.0
50	160	142.5	108.0	160	125.5	G 2	24	2" NPT	17.5

For other solenoid valves, accessories and other products, please see our Product Range catalogue and Price List.  
Contact GEMÜ.

**GEMÜ®** VALVES, MEASUREMENT  
AND CONTROL SYSTEMS

