

Ball Valve, Metal

Construction

The GEMÜ 761 pneumatically controlled 2/2 way stainless steel ball valve is operated by a low-maintenance pneumatic piston actuator with single acting (spring return) or double acting design. Optical position indicator is standard.

Features

- Suitable for inert and corrosive* liquid and gaseous media and steam
- The GEMÜ 761 ball valves comply with the safety requirements of Annex I of the European Pressure Equipment Directive 97/23/EC (PED) for fluids of group 1 and 2
- Suitable for vacuum applications
- ATEX version on request

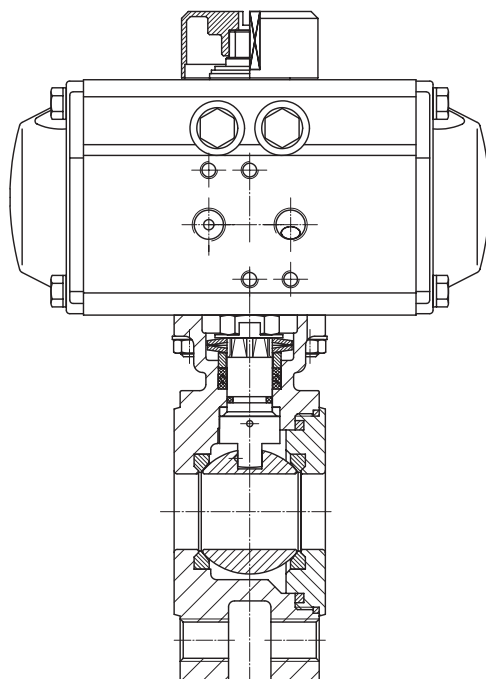
Advantages

- High flow capability
- Full-flow bore
- Double piston actuator, aluminium housing and Alodur coat
- Adjustable travel stops
- Optional accessories
 - Electrical limit switches (mechanical or proximity switches)
 - Electro-pneumatic positioner
 - NAMUR connector for direct connection of pilot valves



* see information on working medium on page 2

Sectional drawing



Technical data

Working medium

Corrosive, inert, gaseous and liquid media and steam which have no negative impact on the physical and chemical properties of the body and seal materials.

Maximum permissible pressure of working medium see diagram
(for water and non-hazardous media to which the body material is resistant)

Maximum permissible operating temperature 150°C

Maximum permissible ambient temperature 60°C

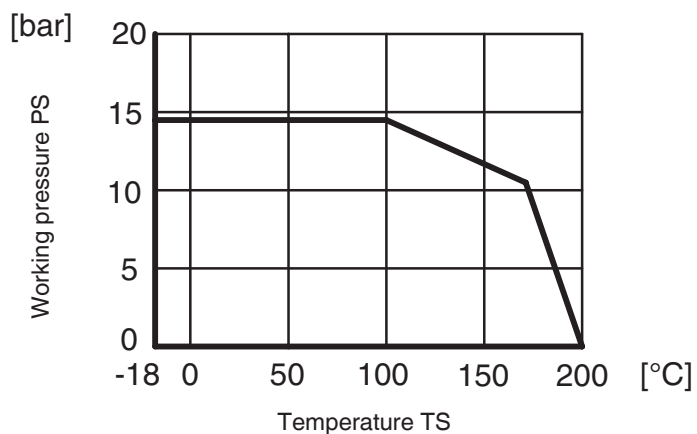
Control medium

Control pressure 6 - 8 bar

Max. perm. temperature of control medium 60°C

Nominal size	NPS	Kv values [m ³ /h]	Weight [kg]		
			Ball valve	Actuator SC	Actuator DR
15	1/2"	24	1,5	1,1	1,0
20	3/4"	43	2,4	2,7	1,0
25	1"	81	2,6	2,7	1,6
32	1 1/4"	113	4,1	4,4	2,7
40	1 1/2"	223	5,1	6,5	2,7
50	2"	417	6,2	9,8	3,8
65	2 1/2"	688	11,0	9,8	3,8
80	3"	1075	14,4	12,6	3,8
100	4"	1935	22,9	18,1	8,4

Working pressure - Temperature



Data shown are typical non-binding values only!
The manufacturer assumes no liability whatsoever for any data selection not confirmed in writing.

Order data

Body configuration	Code
2/2 way	D

Connection	Code
Flanges EN 1092 / PN16 / form B	68

Valve body material	Code
1.4408 Investment casting (body)	37
1.4401 Ball	

Seal material	Code
Seat: PTFE	5

Control function	Code
Normally closed (NC)	1
Double acting (DA)	3

Actuator size		Code
DN	SC.... single acting	
DN 15	SC0015U 8 F04NS11A	SU01KO0
DN 20	SC0030U 6 F04NS11A	SU03KO0
DN 25	SC0060U 6 F05F07NS14A	SU06KP0
DN 32	SC0100U 6 F05F07NS17A	SU10KC0
DN 40	SC0150U 6 F07F10NS17A	SU15KC0
DN 50	SC0220U 6 F07F10NS22A	SU22KD0
DN 65	SC0220U 6 F07F10NS22A	SU22KD0
DN 80	SC0300U 6 F07F10NS22A	SU30KD0
DN 100	SC0450U 6 F10F12NS27A	SU45KG0
	DR.... double acting	
DN 15	DR0015U F04NS11A	DU01AO0
DN 20	DR0015U F04NS11A	DU01AO0
DN 25	DR0030U F05F07NS14A	DU03AP0
DN 32	DR0060U F05F07NS17A	DU06AC0
DN 40	DR0060U F05F07NS17A	DU06AC0
DN 50	DR0100U F05F07NS17A	DU10AC0
DN 65	DR0100U F05F07NS17A	DU10AC0
DN 80	DR0150U F07F10NS22A	DU15AD0
DN 100	DR0220U F07F10NS22A	DU22AD0

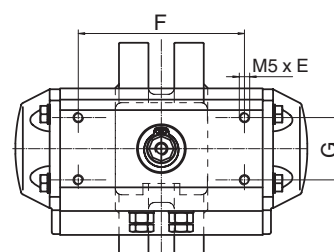
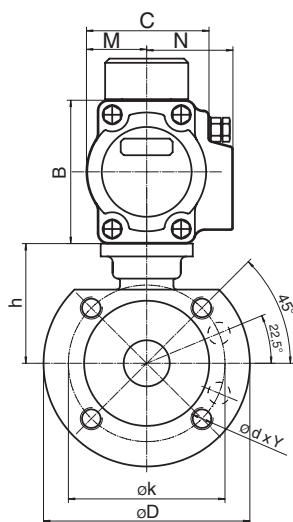
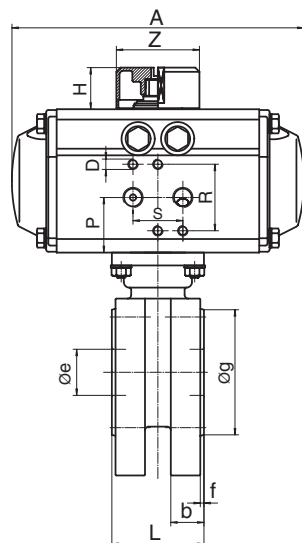
K-Number	Code
Mounting flange with adapter	5222
A mounting flange with adapter is necessary between ball valve and actuator for working temperatures > 100°C.	

Order example	761	15	D	68	37	5	1	SU01PO0	5222
Type	761								
Nominal size		15							
Body configuration (Code)			D						
Connection (Code)				68					
Valve body material (Code)					37				
Seal material (Code)						5			
Control function (Code)							1		
Actuator size (Code)								SU01PO0	
K-Number (Code)									5222

Body dimensions [mm]

Flanges, connection code 68

DN	L	D	h	e	d	Y	k	g	f	b	Connection flange for actuator
15	40.8	80.7	48.7	15	M12	4	65	45	2	16	F03/F04
20	44.0	98.6	53.7	20	M12	4	75	58	2	18	F03/F04
25	50.0	115.0	65.0	25	M12	4	85	68	2	18	F04/F05
32	60.0	140.0	77.0	32	M16	4	100	78	2	18	F04/F05
40	65.0	150.0	85.5	38	M16	4	110	88	3	18	F05/F07
50	80.0	165.0	93.0	50	M16	4	125	102	3	20	F05/F07
65	110.0	185.0	109.7	65	M16	4	145	122	3	22	F07/F10
80	120.0	200.0	119.5	80	M16	8	160	138	3	24	F07/F10
100	150.0	220.0	132.7	100	M16	8	180	158	3	24	F07/F10



Actuator dimensions [mm]

Type	0015U	0030U	0060U	0100U	0150U	0220U	0300U	0450U
ISO Flange	F03/04	F04/05	F05/07	F05/07	F07/10	F07/10	F07/10	F10/12
Octagonal	11	14	14	17	17	22	22	27
Air connector	G 1/8	G 1/8	G 1/8	G 1/8	G 1/4	G 1/4	G 1/4	G 1/4
A	140.5	158.5	210.5	247.5	268.5	315	345	408.5
B	79	95	106	115	127	149	167	189
C	59	72	84.5	97.5	111	127	136	156.5
D	M5x8	M5x8	M5x8	M5x8	M5x8	M5x8	M5x8	M5x8
E	4	8	8	8	8	8	8	8
F	80	80	80	80	80	80	80	80
G	30	30	30	30	30	30	30	30
H	20	20	20	20	20	30	30	30
M	29	36	42.5	49.5	56	64	69.5	80
N	41.5	47	52	56.8	67	77	82	91.5
P	26.5	30	30.5	32.5	37.5	42.5	45	47
R	32	32	32	32	32	32	32	32
S	24	24	24	24	24	24	24	24
ø Z	40	40	40	40	40	56	56	65

For further ball valves and other products, please see our Product Range catalogue and Price List. Contact GEMÜ.

GEMÜ® VALVES, MEASUREMENT
AND CONTROL SYSTEMS

